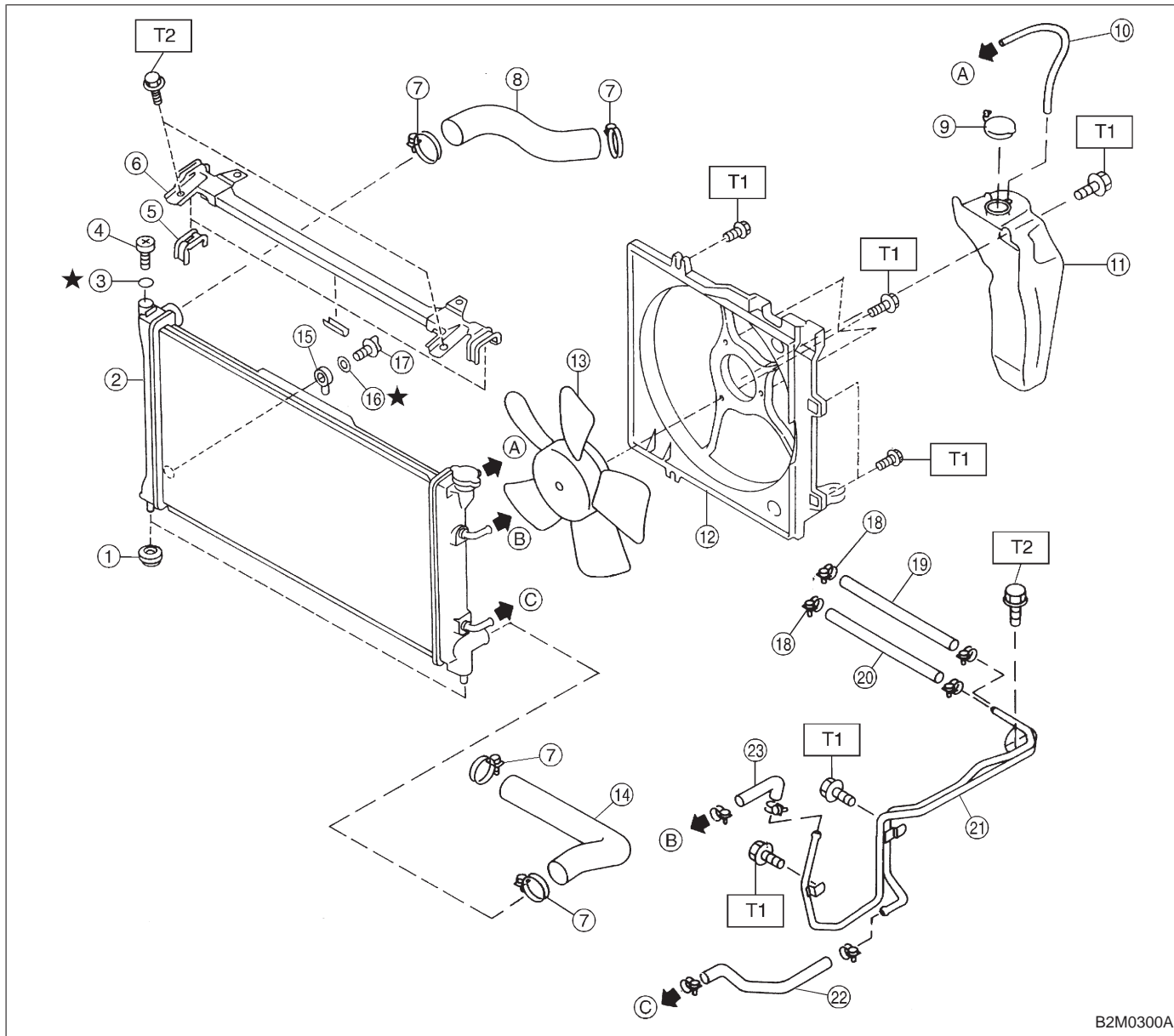


2. Radiator and Radiator Fan



B2M0300A

- ① Radiator lower cushion
- ② Radiator
- ③ O-ring
- ④ Air vent plug
- ⑤ Radiator upper cushion
- ⑥ Radiator upper bracket
- ⑦ Clamp
- ⑧ Radiator inlet hose
- ⑨ Engine coolant reservoir tank cap
- ⑩ Over flow hose
- ⑪ Engine coolant reservoir tank
- ⑫ Shroud
- ⑬ Radiator main fan motor ASSY
- ⑭ Radiator outlet hose

- ⑮ Radiator drain pipe
- ⑯ Gasket
- ⑰ Radiator drain plug
- ⑱ ATF hose clamp
- ⑲ ATF inlet hose A
- ⑳ ATF outlet hose A
- ㉑ ATF pipe
- ㉒ ATF outlet hose B
- ㉓ ATF inlet hose B

**Tightening torque: N·m (kg·m, ft·lb)**  
**T1: 6.9±1.5 (0.7±0.15, 5.1±1.1)**  
**T2: 12±3 (1.2±0.3, 8.7±2.2)**