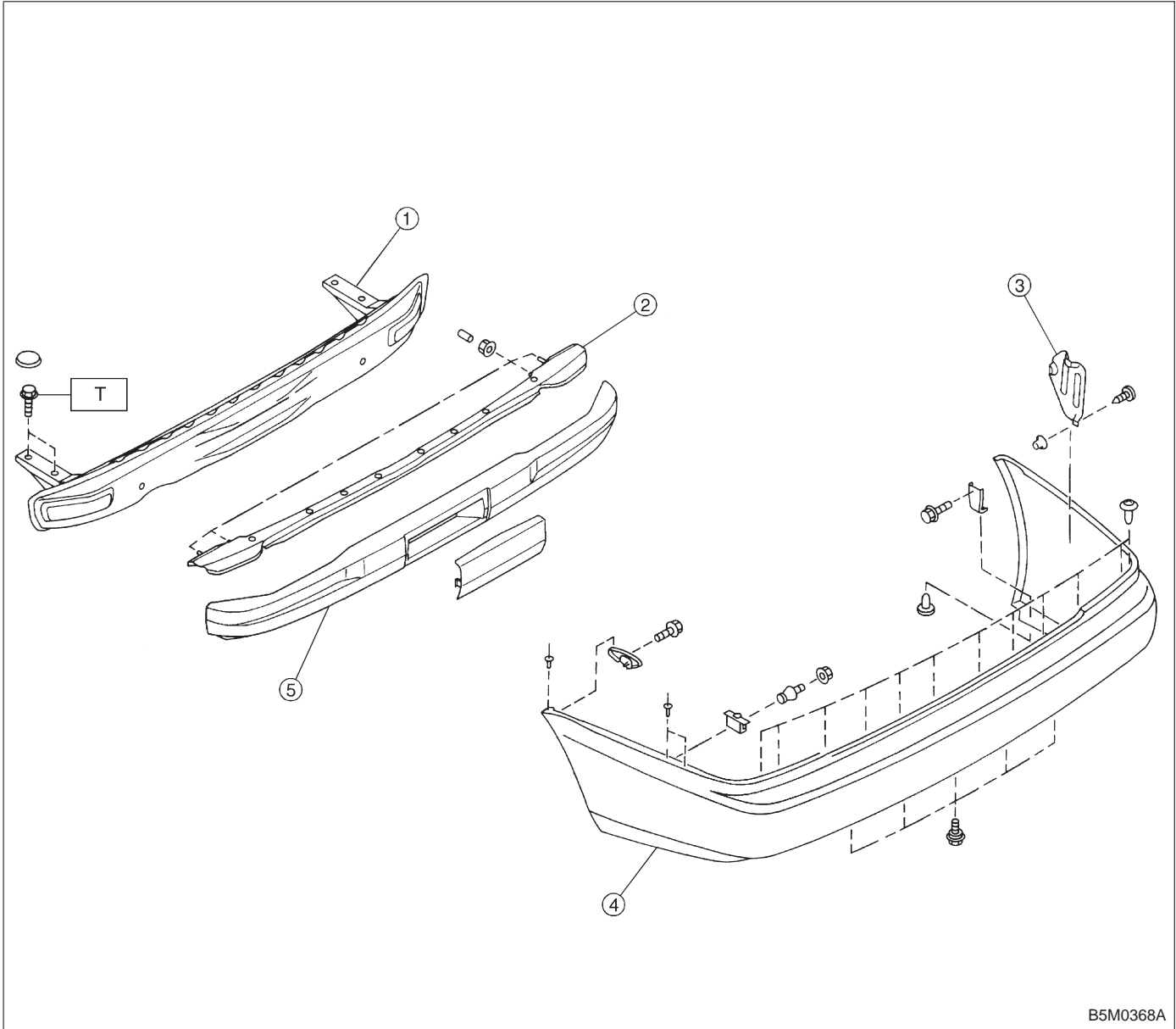


4. Rear Bumper (Sedan)



- ① Bumper beam (LWR)
- ② Bumper beam (UPR)
- ③ Bracket (Side)
- ④ Bumper surface
- ⑤ E-A foam (Rear)

Tightening torque: N·m (kg·m, ft·lb)
T: 93±25 (9.5±2.5, 69±18)