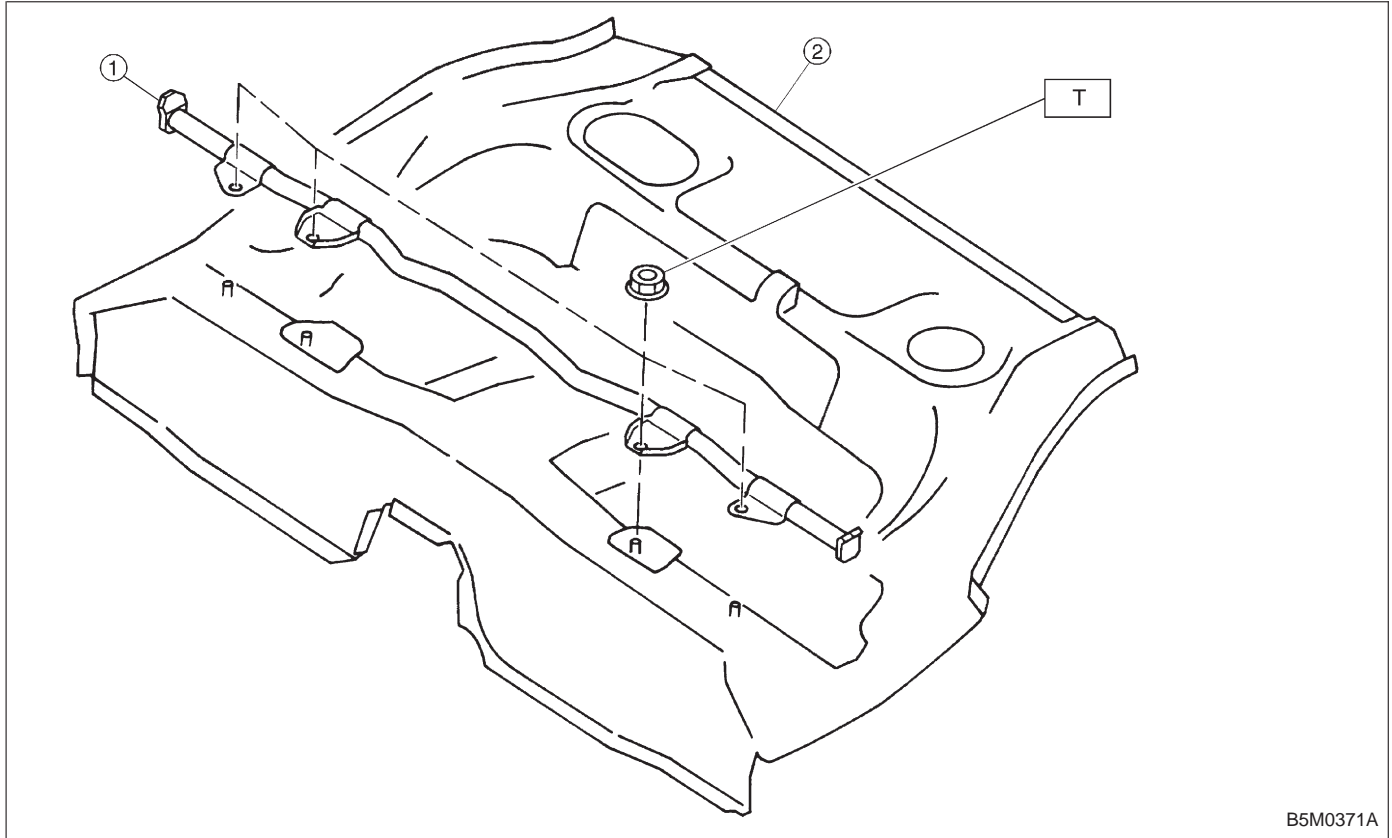


8. Guard Pipe



- ① Guard pipe
- ② Rear floor panel

Tightening torque: N·m (kg·m, ft·lb)
T: 32±10 (3.3±1.0, 23.9±7)
