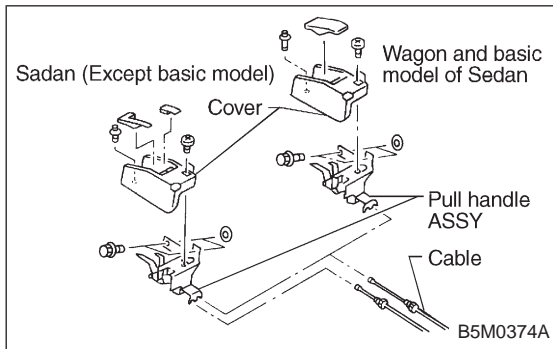


3. Fuel Flap

A: REMOVAL

1. FUEL FLAP

Remove bolts which hold hinge to fuel flap, and detach fuel flap.



2. FUEL FLAP OPENER

1) Remove rear seats, center pillar lower cover, floor mat, rear arch cover/rear quarter trim (Wagon), and side sill cover (on the driver's side).

2) Remove all clips which hold cable.

3) Disconnect cable from pull handle.

4) Detach pull handle by removing bolts.

5) Detach fuel lock holder by turning it.

B: INSTALLATION

Installation is in the reverse order of removal.

CAUTION:

- When installing cover to pull handle assembly, observe the following:

- Be careful not to catch harness.

- Engage pull handle assembly pawls firmly.

- Make sure the clearance between fuel flap and vehicle body is equal at all points.

- After installing opener cable, ensure it moves smoothly.