

5. Stop and Tail Light

A: REMOVAL AND INSTALLATION

1. REAR COMBINATION LIGHT

- 1) Remove rear trim.
- 2) Disconnect connector from rear combination light.
- 3) Remove nuts which secure rear combination light.

Tightening torque:

$2.5 \pm 0.5 \text{ N} \cdot \text{m}$ ($0.25 \pm 0.05 \text{ kg} \cdot \text{m}$, $1.8 \pm 0.4 \text{ ft} \cdot \text{lb}$)

- 4) Attach adhesive cloth tape to body area around rear combination light.
- 5) Using a standard screwdriver, carefully pry rear combination light off and away from the vehicle.

CAUTION:

- Do not pry rear combination light forcefully as this may scratch vehicle body.
- Remove all traces of adhesive tape from body before installation.
- Attach butyl rubber tape to back of rear combination light before installing rear combination light on body for sealing purposes.

2. REAR FINISHER

- 1) Remove trunk lid trim (SEDAN) or rear gate trim (WAGON).
- 2) Disconnect connectors from rear finisher.
- 3) Remove rear wiper motor (WAGON).
- 4) Remove nuts which secure rear finisher.

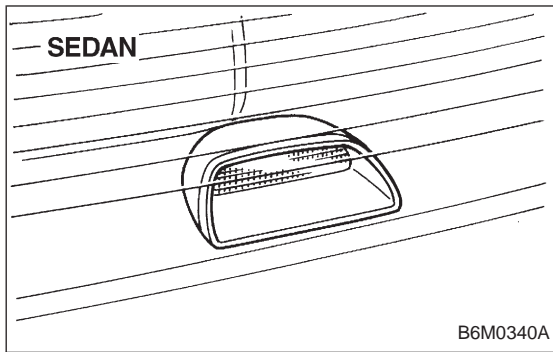
Tightening torque:

$2.5 \pm 0.5 \text{ N} \cdot \text{m}$ ($0.25 \pm 0.05 \text{ kg} \cdot \text{m}$, $1.8 \pm 0.4 \text{ ft} \cdot \text{lb}$)

- 5) Attach adhesive cloth tape to body area around rear finisher.
- 6) Using a standard screwdriver, carefully pry rear finisher off and away from the vehicle.

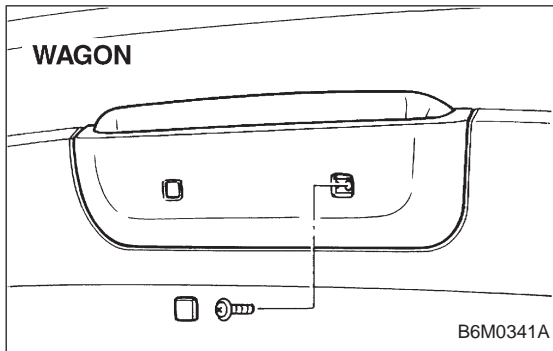
CAUTION:

- Do not pry rear finisher forcefully as this may scratch vehicle body.



3. HIGH-MOUNT STOP LIGHT (SEDAN)

- 1) Disconnect connector of high-mount stop light from body harness.
- 2) Remove screws which secure high-mount stop light to rear shelf panel.
- 3) Remove high-mount stop light.



4. HIGH-MOUNT STOP LIGHT (WAGON)

- 1) Remove high-mount stop light cover from rear gate trim panel.
- 2) Remove screws which secure high-mount stop light.
- 3) Remove high-mount stop light while disconnecting connector from body harness.

5. STOP LIGHT SWITCH

Refer to 4-5 [C101 (MT) or C201 (AT)] as for removal and installation of stop light switch.

NOTE:

When installing the stop light switch, adjust the pedal height by adjusting the stop light switch position.

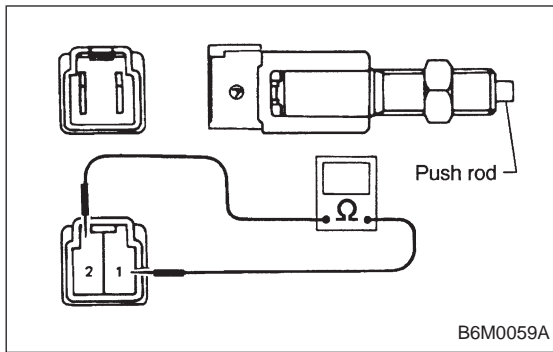
6. COMBINATION SWITCH

Refer to 6-2 [W4B3] as for removal and installation of combination switch.

B: DISASSEMBLY AND ASSEMBLY

1. COMBINATION SWITCH

Refer to 6-2 [W4C1] as for disassembly and assembly of combination switch.



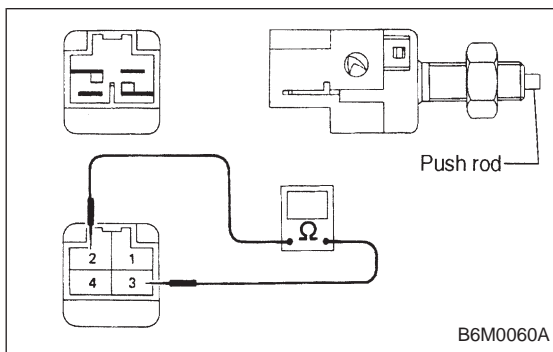
C: INSPECTION

1. STOP LIGHT SWITCH (ON-CAR)

Without cruise control model

- 1) Disconnect connector of stop light switch from body harness.
- 2) Check continuity between terminals when push rod is pushed in 4.0 to 4.5 mm (0.157 to 0.177 in) from end of outer case.

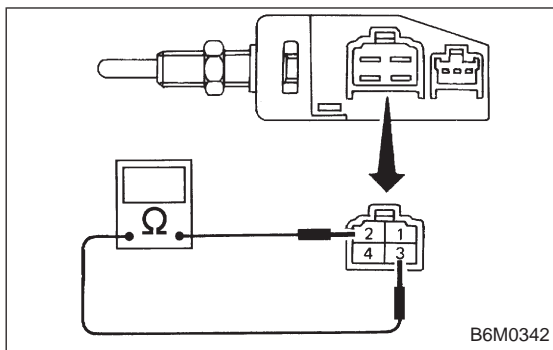
Terminal	1	2
Switch position		
When push rod is pushed in.		
When push rod is released.	○	○



With cruise control model

- 1) Disconnect connector of stop light switch from body harness.
- 2) Check continuity between terminals when push rod is pushed in 1.5 to 3.0 mm (0.059 to 0.118 in) from end of outer case.

Terminal	1	2	3	4
Switch position				
When push rod is pushed in.	○			○
When push rod is released.		○	○	



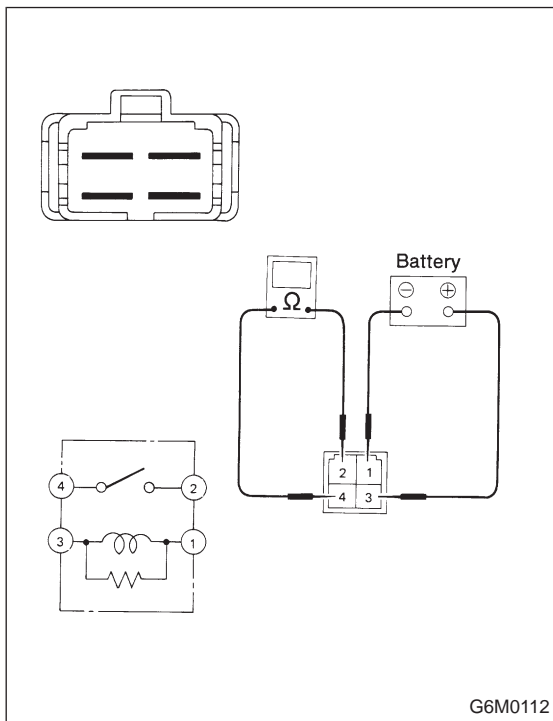
With TCS model

- 1) Disconnect connector of stop light switch from body harness.
- 2) Check continuity between terminals when push rod is pushed in 1.2 to 3.2 mm (0.047 to 0.126 in) from end of outer case.

Terminal	1	2	3	4
Switch position				
When push rod is pushed in.	○	—		○
When push rod is released.		○	—	○

2. COMBINATION SWITCH (ON-CAR)

Refer to 6-2 [W4D1] as for inspection of combination switch.



3. TAIL AND ILLUMINATION RELAY

Check continuity between terminals as indicated in table below, when connecting battery to terminal No. 1 and No. 3

When current flows.	Between terminals No. 2 and No. 4	Continuity exists.
When current does not flow.	Between terminals No. 2 and No. 4	Continuity does not exist.
	Between terminals No. 1 and No. 3	Continuity exists.