

## 7. Back-up Light

### A: REMOVAL AND INSTALLATION

#### 1. BACK-UP LIGHT

Refer to 6-2 [W5A2] as for removal and installation of rear finisher.

#### 2. BACK-UP LIGHT SWITCH (MT MODEL)

Refer to 3-1 [W2B1 (AWD) or W3A0 (FWD)] as for removal and installation of back-up light switch.

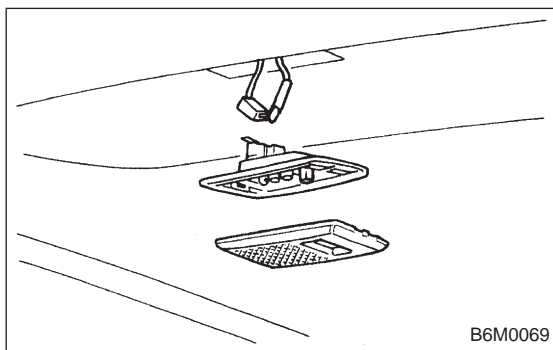
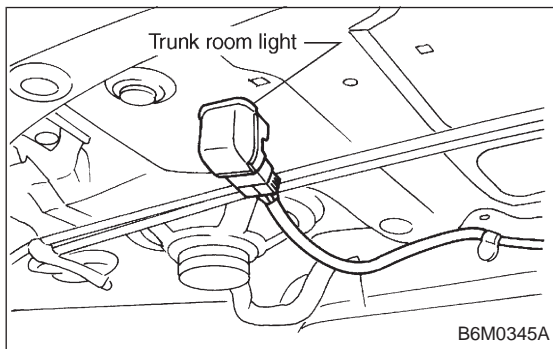
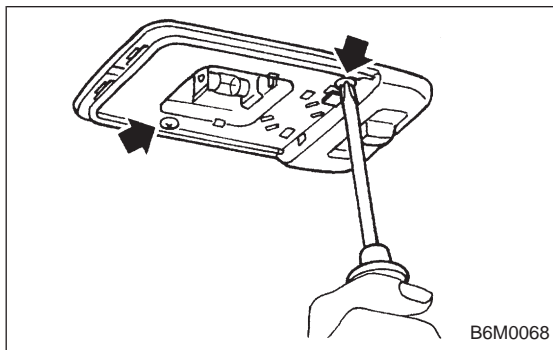
#### 3. INHIBITOR SWITCH (AT MODEL)

Refer to 3-2 [W4A4] as for removal and installation of inhibitor switch (R position switch).

### B: INSPECTION

#### 1. INHIBITOR SWITCH (AT MODEL)

Refer to 3-2 [W2B2] as for inspection of inhibitor switch.



## 8. Room Light and Door Switch

### A: REMOVAL AND INSTALLATION

#### 1. ROOM LIGHT

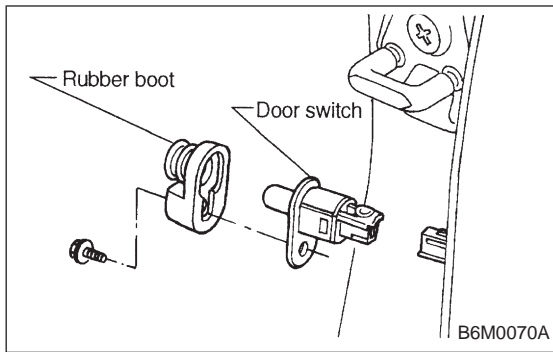
- 1) Pry room light lens off using a screwdriver.
- 2) Remove screws which secure room light body.
- 3) Remove room light body while disconnecting connector.

#### 2. TRUNK ROOM LIGHT (SEDAN)

- 1) Turn trunk room light body by hand and remove it from rear shelf panel.
- 2) Disconnect connector of trunk room light.

#### 3. LUGGAGE ROOM LIGHT (WAGON)

- 1) Pry luggage room light lens off using a screwdriver.
- 2) Remove screws which secure luggage room light body.
- 3) Remove luggage room light body while disconnecting connector.



**4. DOOR SWITCH**

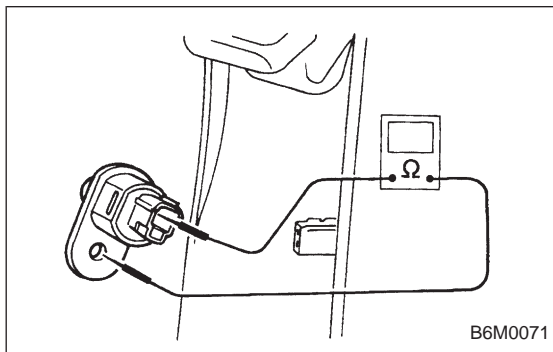
- 1) Remove rubber boot of door switch.
- 2) Remove screw which secures door switch to body.
- 3) Remove door switch while disconnecting connector.

**5. TRUNK ROOM LIGHT SWITCH (SEDAN)**

Refer to 5-1 [W2A3] as for removal and installation of trunk room light switch which is installed in trunk lid lock.

**6. LUGGAGE ROOM LIGHT SWITCH (WAGON)**

Refer to 5-2 [W3A2] as for removal and installation of luggage room light switch which is installed in rear gate lock.

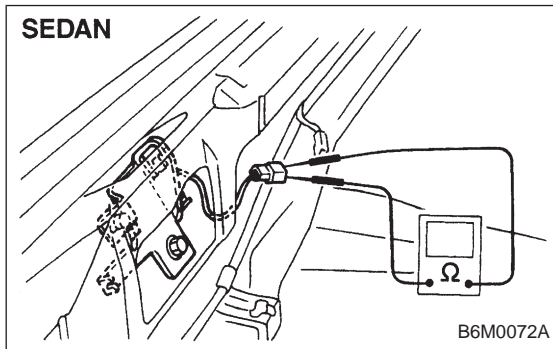


**B: INSPECTION**

**1. DOOR SWITCH**

Move switch and check continuity between terminal of door switch and switch body.

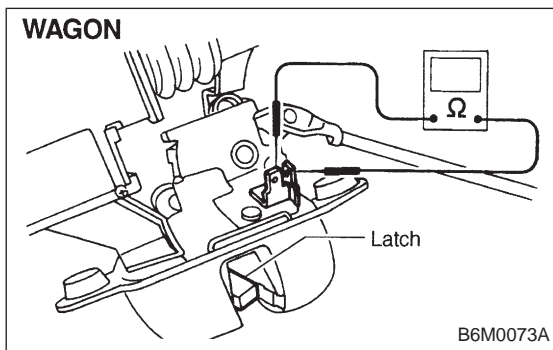
Switch position	Terminal	Switch body
Open (ON)	○	○
Push in (OFF)		



**2. TRUNK ROOM LIGHT SWITCH (SEDAN)**

Move switch and check continuity between terminals of trunk room light switch.

Terminal	1	2
Switch position		
Open (ON)	○	○
Push in (OFF)		



**3. LUGGAGE ROOM LIGHT SWITCH (WAGON)**

Move switch and check continuity between terminals of luggage room light switch.

Terminal	1	2
Switch position		
Open (ON)	○	○
Push in (OFF)		