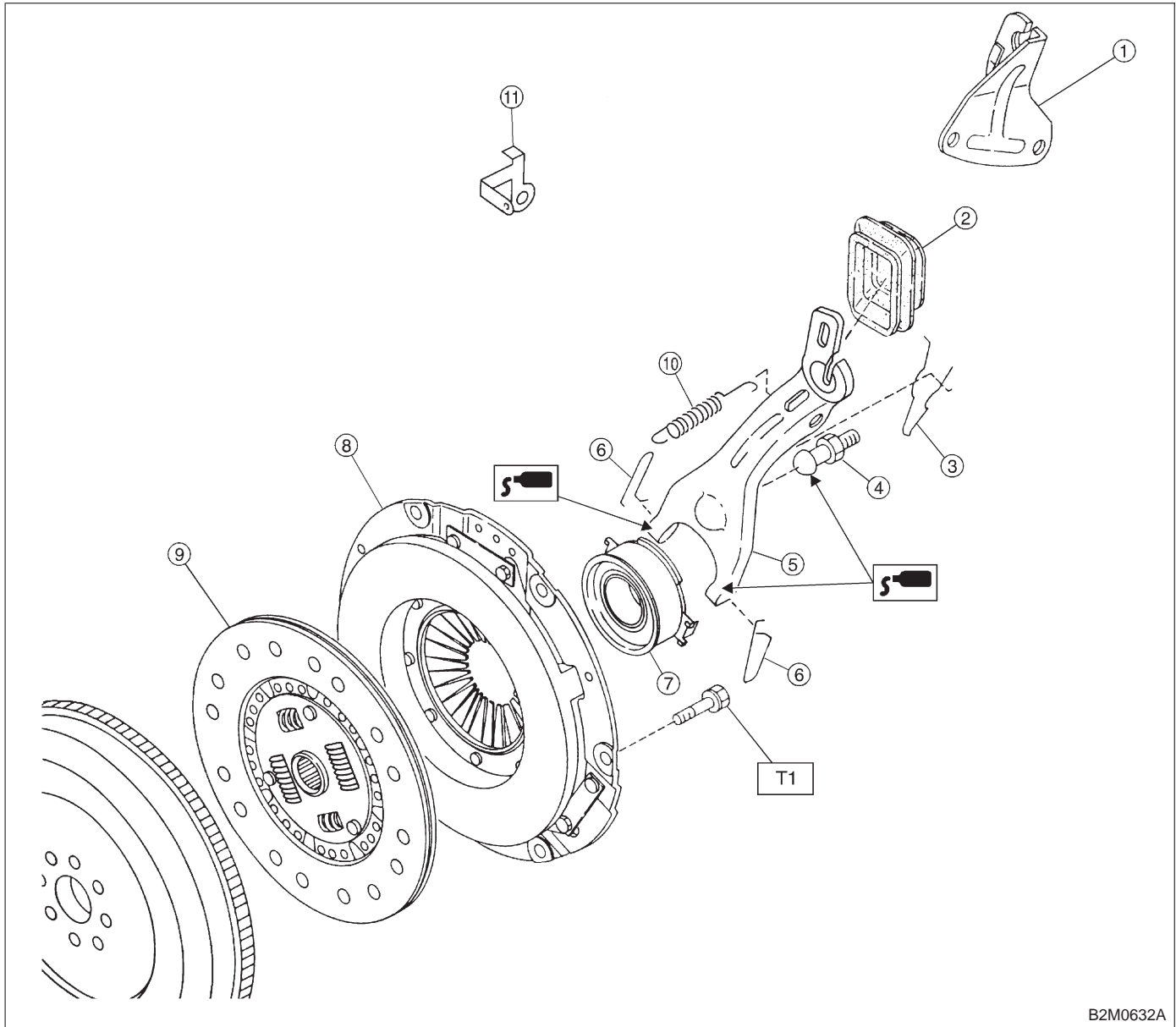


1. Clutch System



B2M0632A

- | | |
|--|--|
| <ul style="list-style-type: none"> ① Clutch cable bracket ② Clutch release lever sealing ③ Retainer spring ④ Pivot ⑤ Clutch release lever ⑥ Clip ⑦ Clutch release bearing ⑧ Clutch cover | <ul style="list-style-type: none"> ⑨ Clutch disc ⑩ Return spring (Models without hill holder only) ⑪ Clutch return spring bracket |
|--|--|

Tightening torque: N·m (kg·m, ft·lb)
T1: 15.7±1.5 (1.6±0.15, 11.6±1.1)