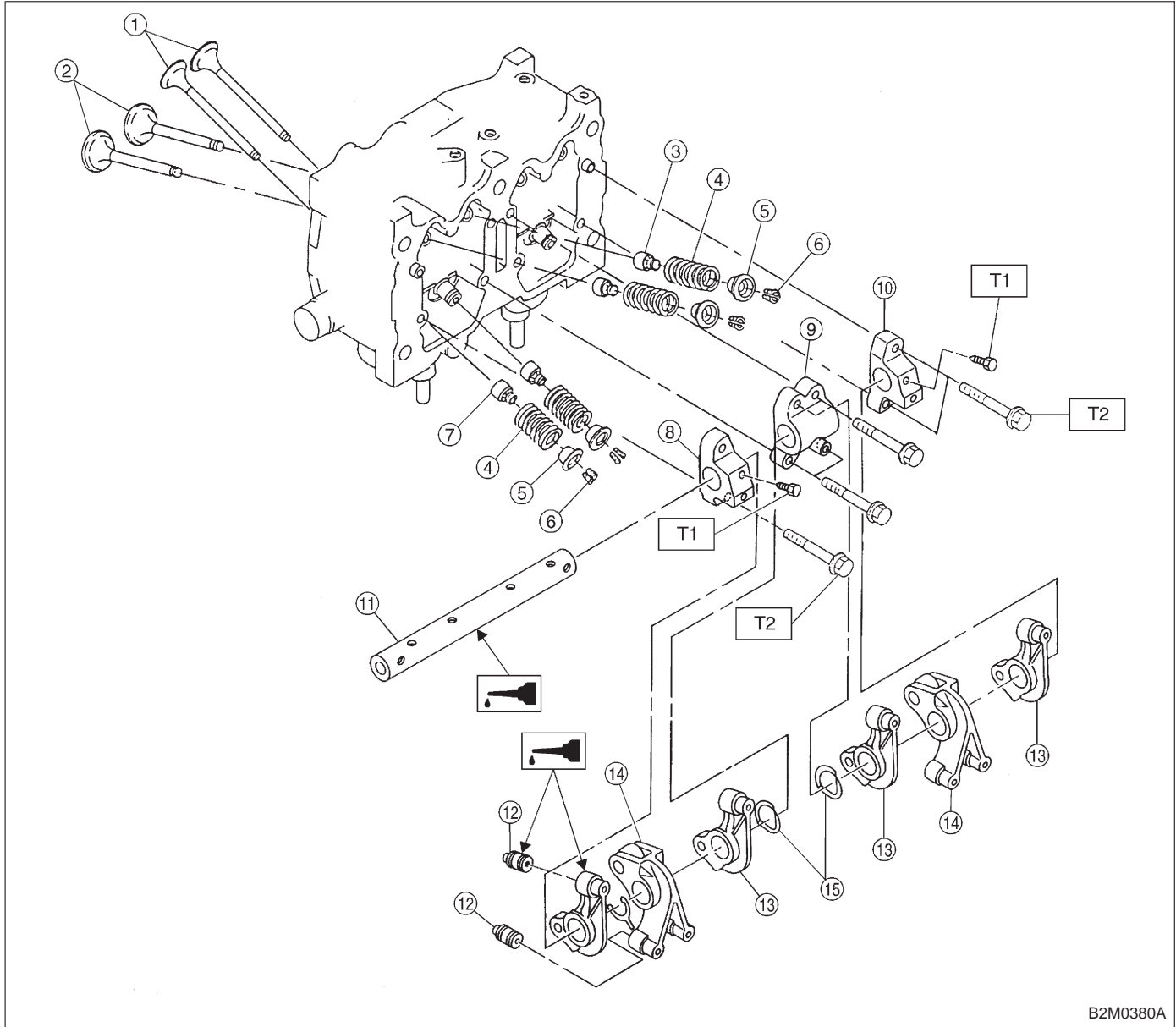


## 3. Cylinder Head and Valve Assembly



B2M0380A

- ① Exhaust valve
- ② Intake valve
- ③ Intake valve oil seal
- ④ Valve spring
- ⑤ Retainer
- ⑥ Retainer key
- ⑦ Exhaust valve oil seal
- ⑧ Rocker shaft support
- ⑨ Rocker shaft support
- ⑩ Rocker shaft support

- ⑪ Rocker shaft
- ⑫ Hydraulic lash adjuster
- ⑬ Intake valve rocker arm
- ⑭ Exhaust valve rocker arm
- ⑮ Spring

**Tightening torque: N·m (kg·m, ft·lb)**

**T1: 5±1 (0.5±0.1, 3.6±0.7)**

**T2: 12±1 (1.2±0.1, 8.7±0.7)**