

4) Slowly pour one can (16 oz) of cleaner into by-pass air hole.

**Cleaner:**

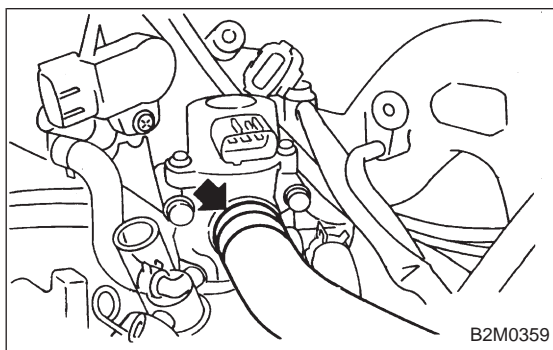
- Part No. 1050002 GM Top Engine Cleaner
- Part No. X66-A AC Delco Carburetor Tune-up Conditioner

5) Leave the engine running for five minutes.

**NOTE:**

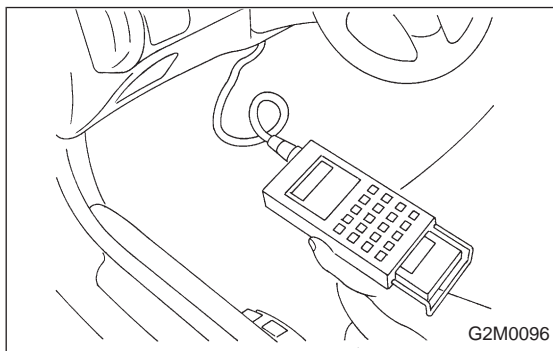
White smoke comes out of the muffler until the cleaner is used up.

6) Stop the engine.



7) Release the throttle valve.

8) Connect by-pass hose to idle air control solenoid valve.



9) Check duty ratio of idle air control solenoid valve with Subaru Select Monitor.

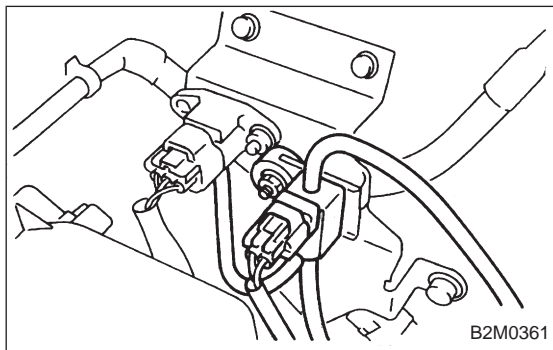
- (1) Connect Subaru Select Monitor to the data link connector.
- (2) Start the engine and turn Subaru Select Monitor switch to ON.
- (3) Select mode "F12".
- (4) Make sure duty ratio on radiator fan and electric load is OFF.

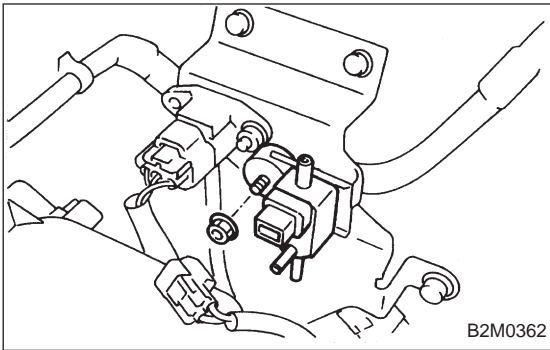
**Specified data: 25 — 40%**

## 13. Pressure Sources Switching Solenoid Valve (AT model)

### A: REMOVAL AND INSTALLATION

- 1) Disconnect connector from pressure sources switching solenoid valve.
- 2) Disconnect hoses from pressure sources switching solenoid valve.

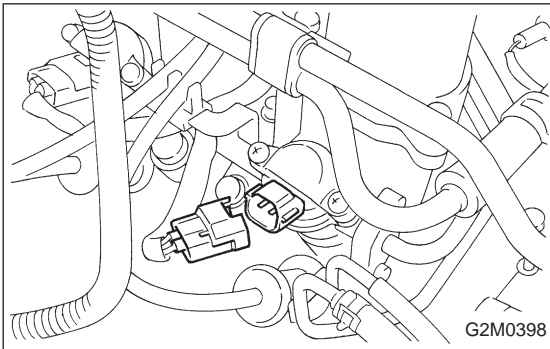




- 3) Remove pressure sources switching solenoid valve from bracket.
- 4) Installation is in the reverse order of removal.

**Tightening torque:**

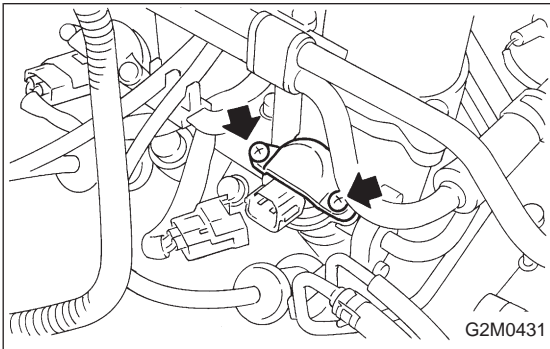
**$6.4 \pm 0.5 \text{ N}\cdot\text{m}$  ( $0.65 \pm 0.05 \text{ kg}\cdot\text{m}$ ,  $4.7 \pm 0.4 \text{ ft}\cdot\text{lb}$ )**



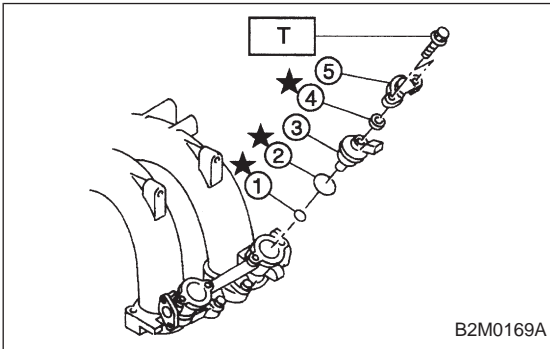
## 14. Fuel Injector

### A: REMOVAL AND INSTALLATION

- 1) Release fuel pressure.  
<Ref. to 2-8 [W1A0].>
- 2) Disconnect connector from fuel injector.



- 3) Remove fuel injector from fuel pipe assembly.



- 4) Installation is in the reverse order of removal.

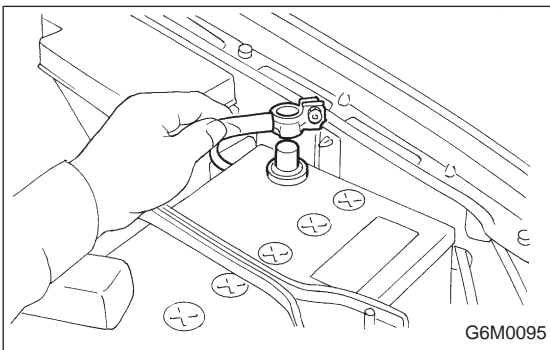
**CAUTION:**

**Replace O-rings and insulator.**

**Tightening torque:**

**$T: 3.4 \pm 0.5 \text{ N}\cdot\text{m}$  ( $0.35 \pm 0.05 \text{ kg}\cdot\text{m}$ ,  $2.5 \pm 0.4 \text{ ft}\cdot\text{lb}$ )**

- ① O-ring B
- ② O-ring A
- ③ Fuel injector
- ④ Insulator
- ⑤ Fuel injector cup



## 15. Engine Control Module

### A: REMOVAL AND INSTALLATION

- 1) Disconnect battery ground cable.