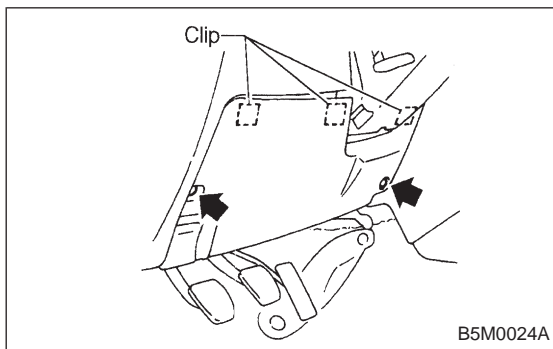


## 16. Main Relay

### A: REMOVAL AND INSTALLATION

1) Disconnect battery ground cable.



2) Remove lower cover and then disconnect connectors.

3) Lower transmission control module.

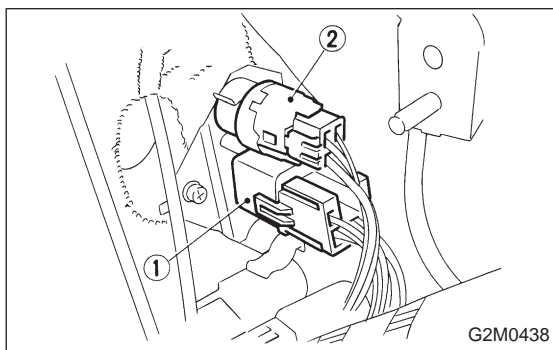
4) Remove the front pillar lower trim.

<Ref. to 5-3 [W5A1].>

5) Remove fuse box mounting nuts.

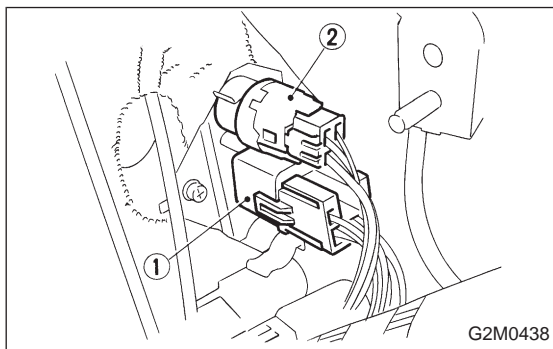
6) Lower fuse box.

7) Remove fuse box mounting bracket.



8) Remove screw which retains bracket of main relay ① and fuel pump relay ②.

9) Disconnect connector from main relay.



10) Installation is in the reverse order of removal.

① Main relay

② Fuel pump relay