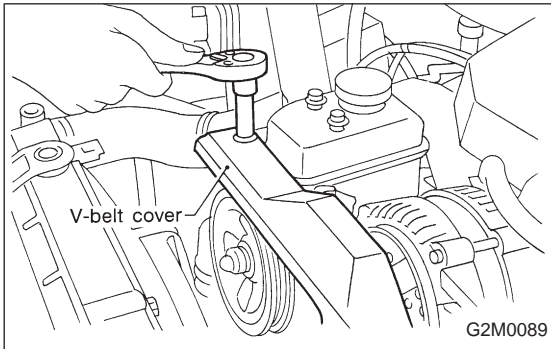


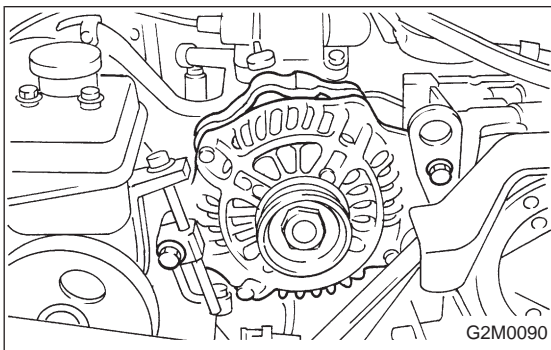
6. Engine Oil Pressure

A: MEASUREMENT

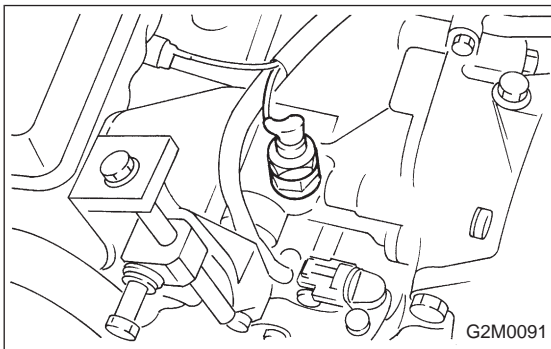
- 1) Remove generator from bracket.
 - (1) Disconnect connector and terminal from generator.



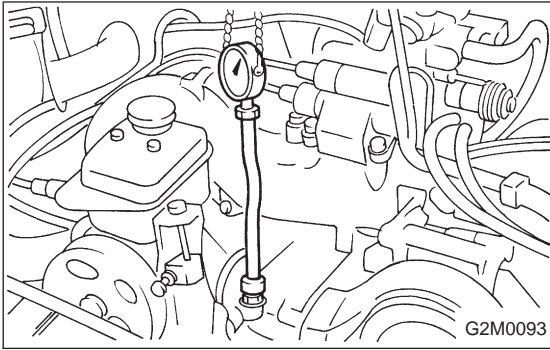
- (2) Remove V-belt cover.
- (3) Loosen lock bolt and slider bolt, and remove V-belt for generator.



- (4) Remove generator lock bolt.
- (5) Remove bolt which install generator on bracket.



- 2) Disconnect connector from oil pressure switch.
- 3) Remove oil pressure switch from engine cylinder block.



- 4) Connect oil pressure gauge hose to cylinder block.
- 5) Start the engine, and measure oil pressure.

Oil pressure:

98 kPa (1.0 kg/cm², 14 psi) or more at 800 rpm

294 kPa (3.0 kg/cm², 43 psi) or more at 5,000 rpm

CAUTION:

- If oil pressure is out of specification, check oil pump, oil filter and lubrication line.

<Ref. to 2-4 [K100].>

- If oil pressure warning light is turned ON and oil pressure is in specification, replace oil pressure switch.

<Ref. to 2-4 [W3A0].>

NOTE:

The specified data is based on an engine oil temperature of 80°C (176°F).

- 6) After measuring oil pressure, install oil pressure switch.

Tightening torque:

25±3 N·m (2.5±0.3 kg·m, 18.1±2.2 ft·lb)

- 7) Install generator and V-belt in the reverse order of removal, and adjust the V-belt deflection.