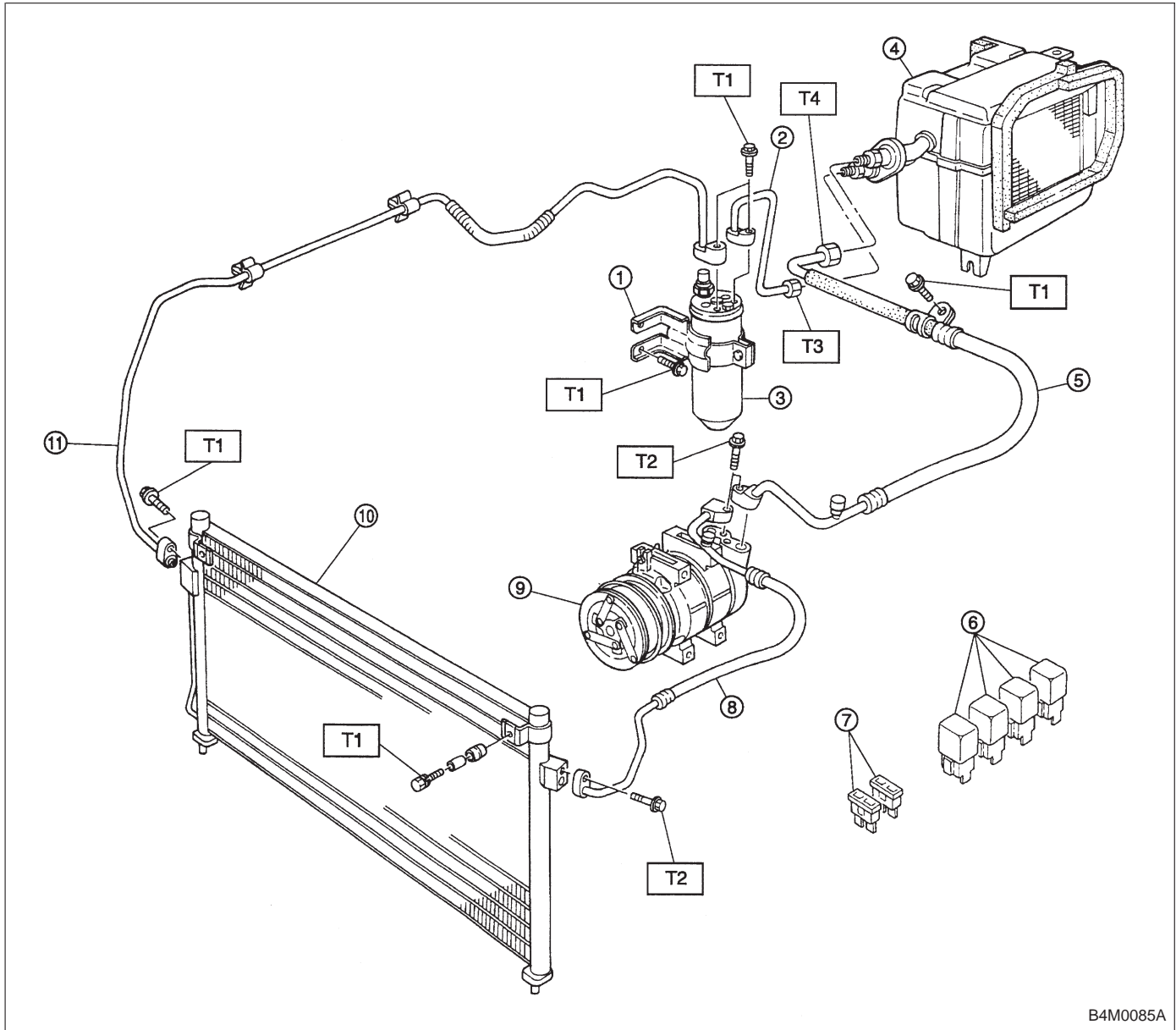


1. Air Conditioning System

1. LHD MODEL



- ① Receiver drier bracket
- ② Pipe (Receiver drier — Evaporator module)
- ③ Receiver drier
- ④ Evaporator module
- ⑤ Hose (Low-pressure)
- ⑥ A/C relay
- ⑦ Fuse
- ⑧ Hose (High-pressure)
- ⑨ Compressor
- ⑩ Condenser
- ⑪ Pipe (Condenser — Receiver drier)

**Tightening torque: N·m (kg·m, ft·lb)**

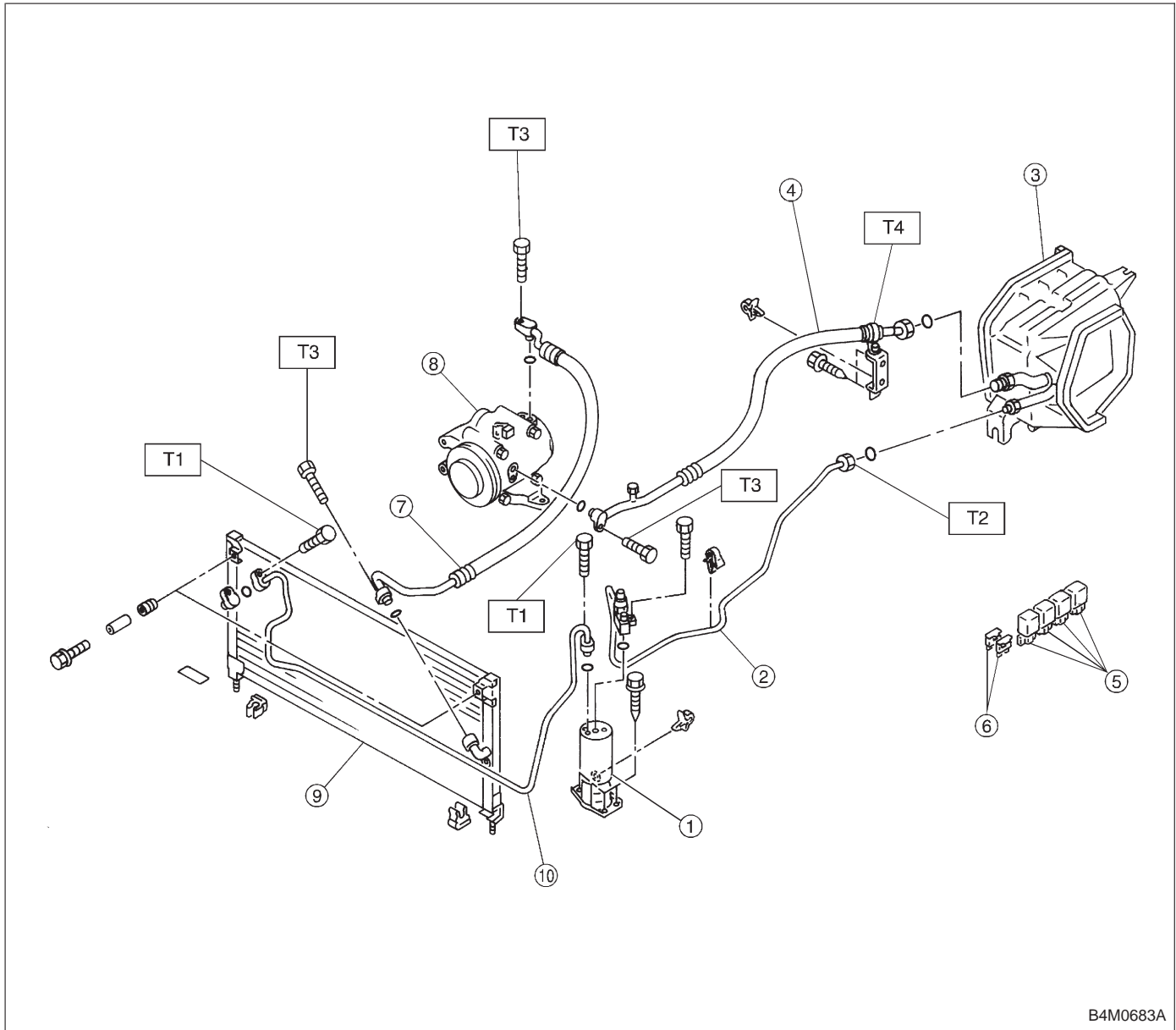
**T1: 7.4±2.0 (0.75±0.2, 5.4±1.4)**

**T2: 13±4 (1.3±0.4, 9.4±2.9)**

**T3: 15±3 (1.5±0.3, 10.8±2.2)**

**T4: 25±5 (2.5±0.5, 18.1±3.6)**

2. RHD MODEL



- ① Receiver drier
- ② Pipe (Receiver drier — Evaporator module)
- ③ Evaporator module
- ④ Hose (Low-pressure)
- ⑤ A/C relay
- ⑥ Fuse
- ⑦ Hose (High-pressure)
- ⑧ Compressor
- ⑨ Condenser
- ⑩ Pipe (Condenser — Receiver drier)

**Tightening torque: N·m (kg·m, ft·lb)**

**T1: 7.4±2.0 (0.75±0.2, 5.4±1.4)**

**T2: 15±3 (1.5±0.3, 10.8±2.2)**

**T3: 15±5 (1.5±0.5, 10.8±3.6)**

**T4: 25±5 (2.5±0.5, 18.1±3.6)**