

- 3) Disconnect the connection between the expansion valve and pipe from receiver drier.
- 4) Remove the expansion valve from pipes.
- 5) To install expansion valve, reverse removal procedures. Properly wrap capillary tube of expansion valve with seal.
- 6) Check to see if the evaporator fins are clogged. If they are, clean them with compressed air.

CAUTION:

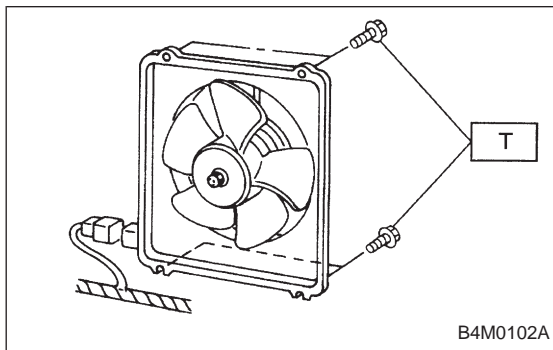
Water must never be used to clean the evaporator.

7) Check parts that have been removed for cracks or scratches, and repair or replace them with new ones, if necessary.

8) Reassemble the evaporator in the reverse order of disassembly.

NOTE:

Confirm that the O-ring is inserted in the specified position.



15. Condenser Fan Assembly

A: REMOVAL AND INSTALLATION

- 1) Disconnect battery negative terminal.
- 2) Disconnect harness connector from fan motor.
- 3) Remove condenser fan bolt from radiator.
- 4) Pull condenser fan assembly.
- 5) Install the condenser fan assembly in the reverse order of removal.

Tightening torque:

T: 7.4±2.0 N·m (0.75±0.2 kg-m, 5.4±1.4 ft-lb)