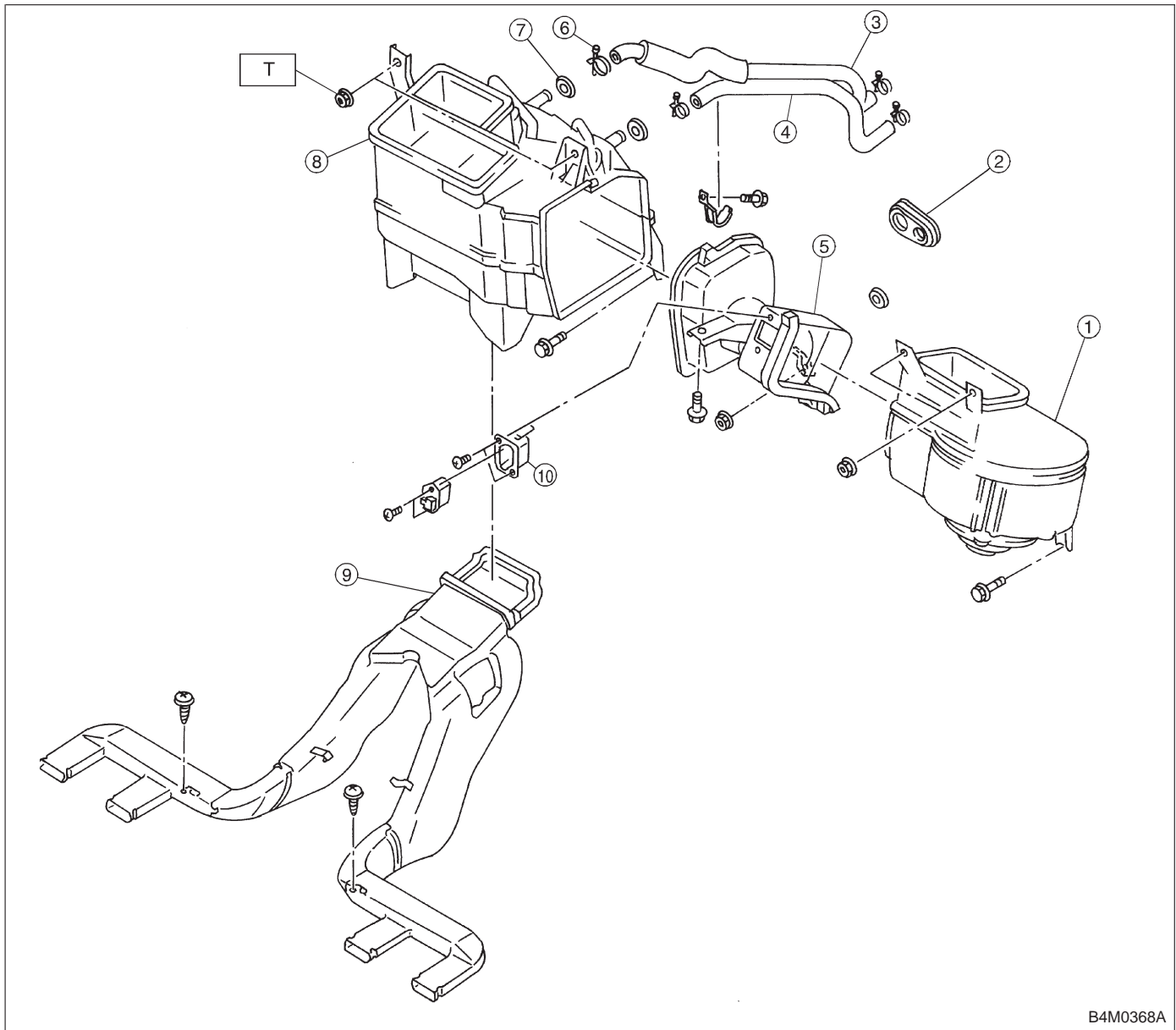


1. Heater System

1. LHD MODEL



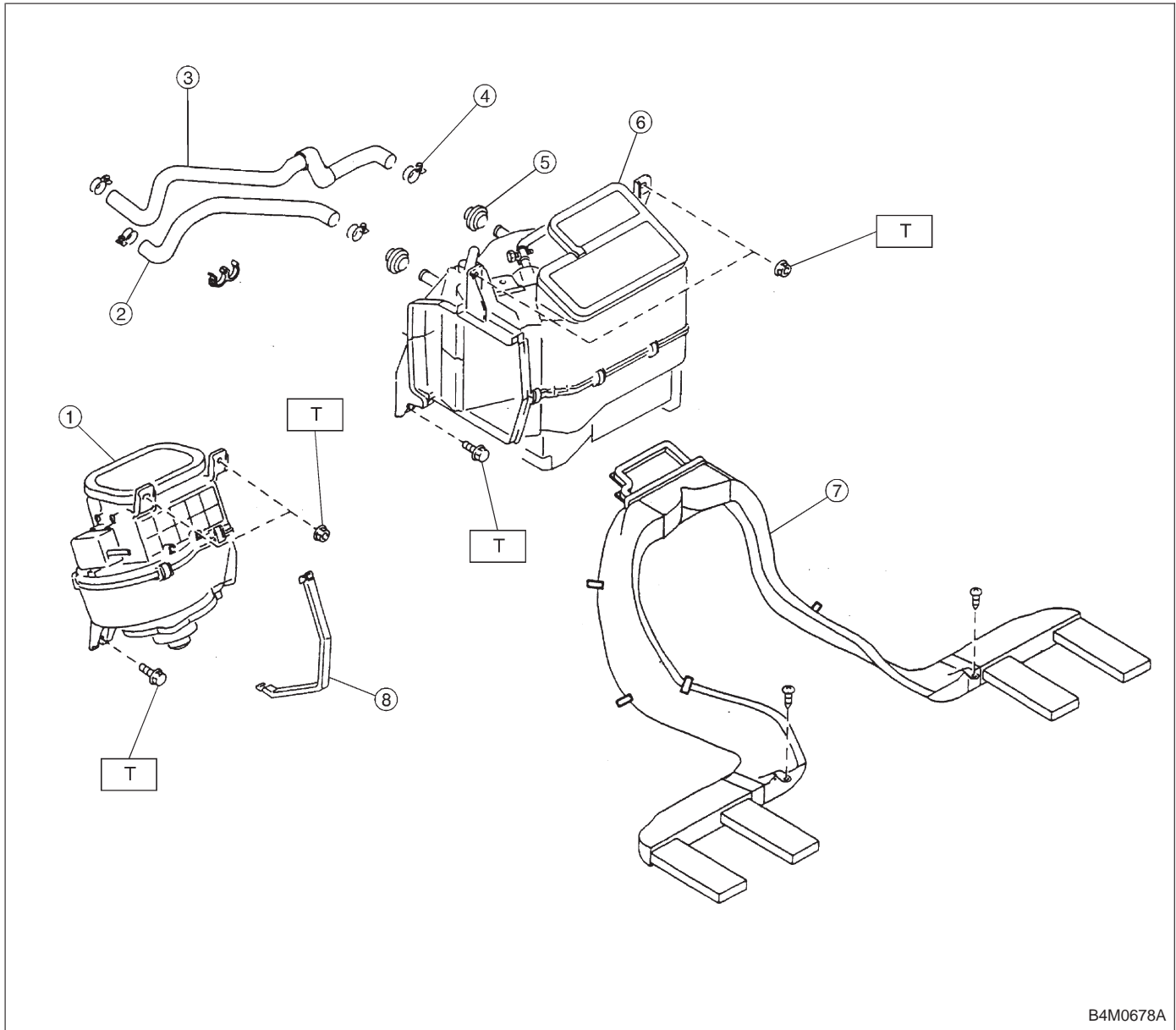
B4M0368A

- ① Intake unit
- ② Grommet
- ③ Hose (Inlet)
- ④ Hose (Outlet)
- ⑤ Heater duct
- ⑥ Clamp
- ⑦ Grommet
- ⑧ Heater unit

- ⑨ Rear heater duct
- ⑩ Resistor

**Tightening torque: N·m (kg·m, ft·lb)**  
**T: 7.35±1.96 (0.750±0.200, 5.421±1.446)**

2. RHD MODEL



- ① Intake unit
- ② Hose (Inlet)
- ③ Hose (Outlet)
- ④ Clamp
- ⑤ Grommet
- ⑥ Heater unit
- ⑦ Rear heater duct

- ⑧ Band

**Tightening torque: N·m (kg·m, ft·lb)**  
**T: 7.35±1.96 (0.750±0.200, 5.421±1.446)**