

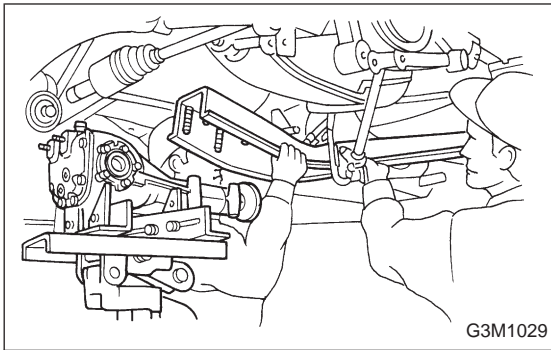
**3. Rear Differential Front Member****A: REMOVAL**

- 1) Disconnect ground cable from battery.
- 2) Move selector lever or gear shift lever to "N".
- 3) Release the parking brake.
- 4) Loosen wheel nuts.
- 5) Jack-up vehicle and support it with sturdy racks.
- 6) Remove wheels.
- 7) Remove rear exhaust pipe and muffler.  
<Ref. to 2-9 [W2A0], [W3A0].>
- 8) Remove rear differential front member.

**NOTE:**

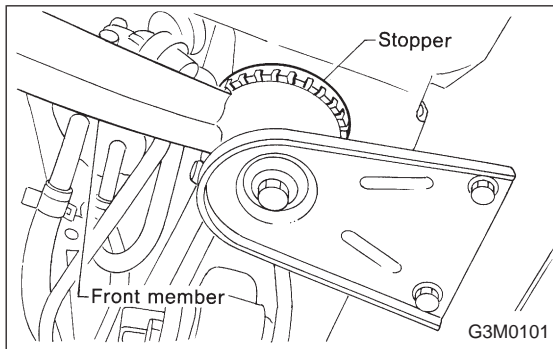
When removing rear differential front member, work the removal procedure as rear differential.

<Ref. to 3-4 [W3A0].>

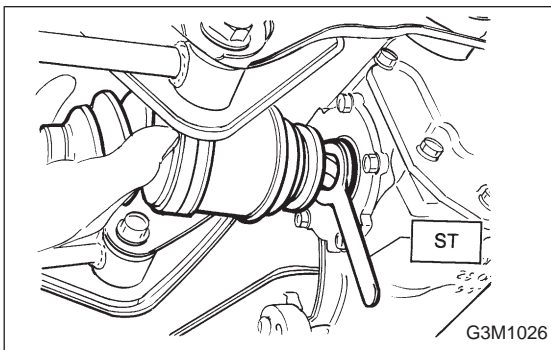
**B: INSTALLATION**

To install, reverse the removal sequence.

- 1) Position front member on body by passing it under parking brake cable and securing to rear differential.

**NOTE:**

When installing rear differential front member, do not confuse the installation sequence of the stopper.



- 2) Insert DOJ of rear drive shaft into rear differential.

ST 28099PA090 SIDE OIL SEAL PROTECTOR

**CAUTION:**

**Before inserting, replace the differential side oil seal and the circlip at the end of the spline shaft with a new one.**

- 3) Installing procedure hereafter is in the reverse order of removal.