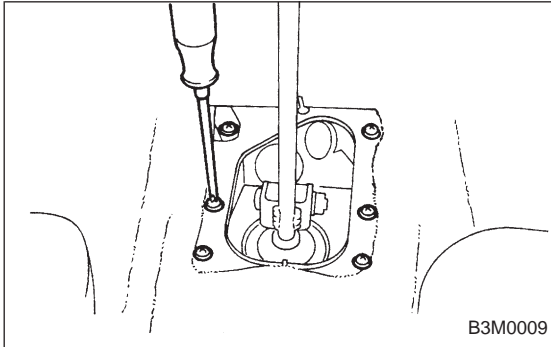


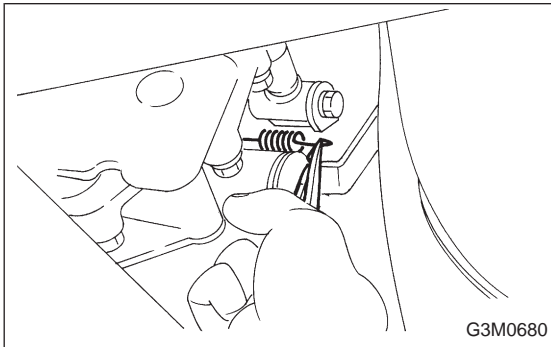
## 1. Manual Transmission

### A: REMOVAL

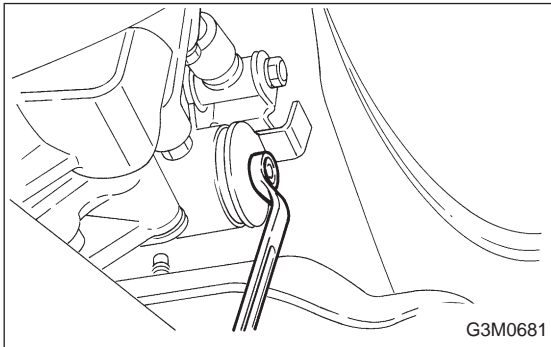
1) Remove console box. <Ref. to 5-4 [W1A0].>



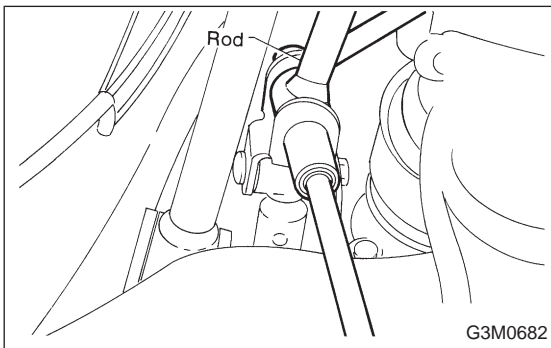
2) Remove boot plate from the body.



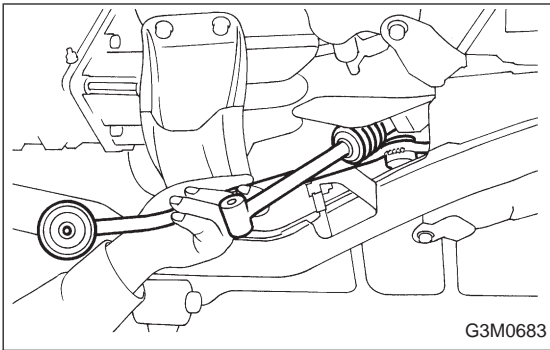
3) Remove the spring between the joint and bracket.



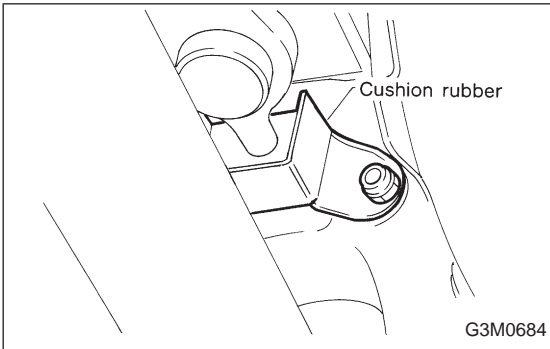
4) Remove stay from bracket.



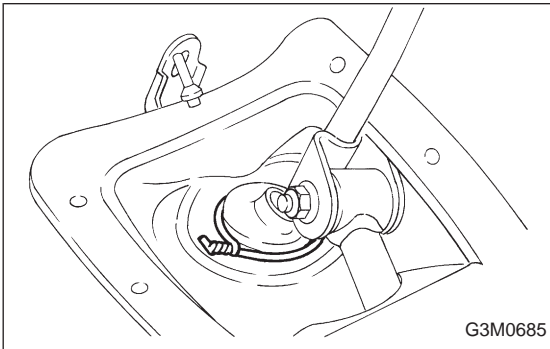
5) Remove rod from joint.



6) Remove gearshift lever.

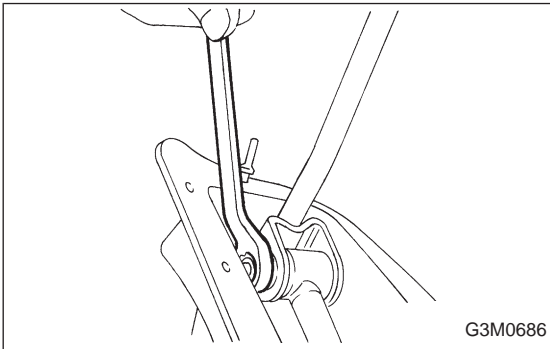


7) Remove the exhaust cover and remove cushion rubber from the body.

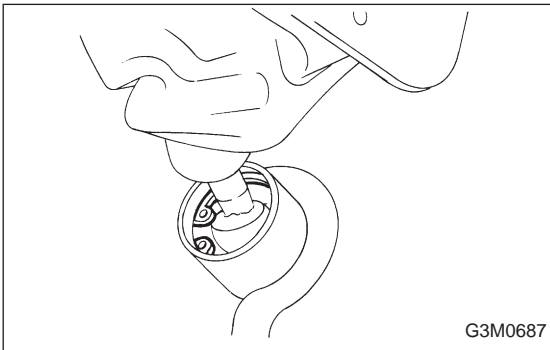


### B: DISASSEMBLY

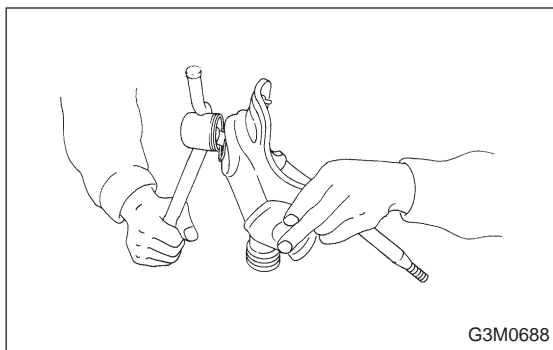
1) Disconnect locking wires.



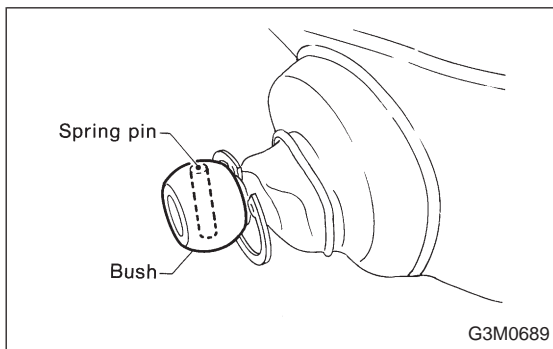
2) Remove rod from gearshift lever.



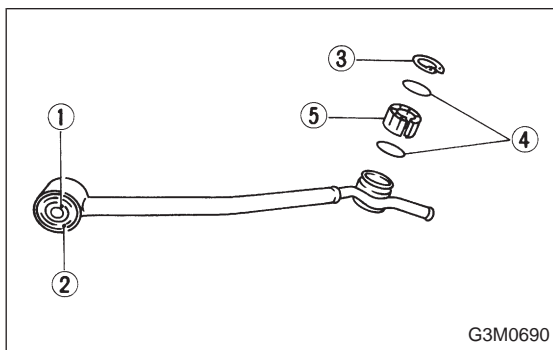
3) Disconnect snap ring.



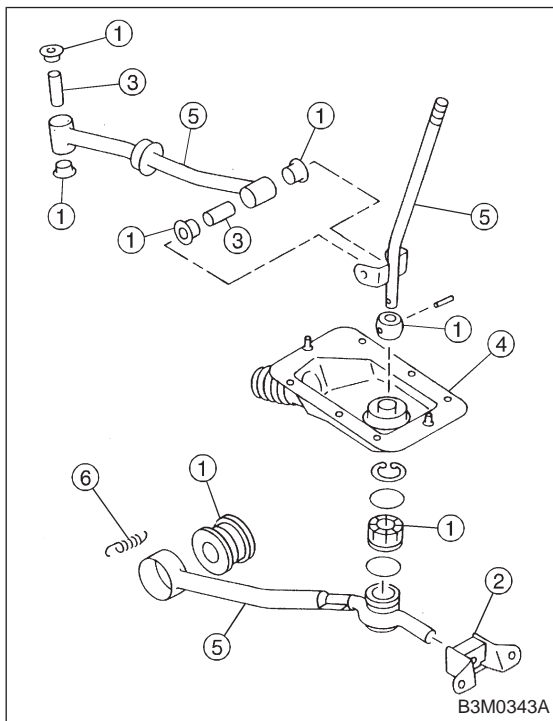
4) Remove gearshift lever from stay.



5) Disconnect spring pin and bush from gearshift lever.  
6) Remove boot from gearshift lever.



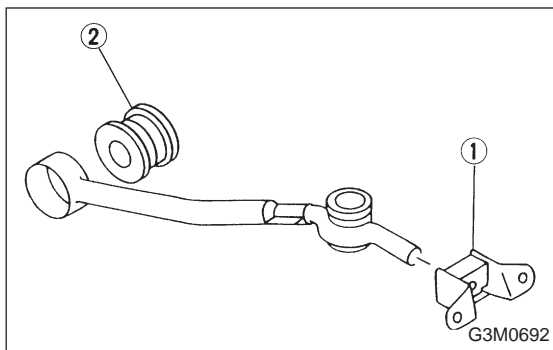
7) Remove the following parts from the stay.  
① Spacer (FWD model)  
② Bush  
③ Snap ring  
④ O-ring  
⑤ Bush



**C: INSPECTION**

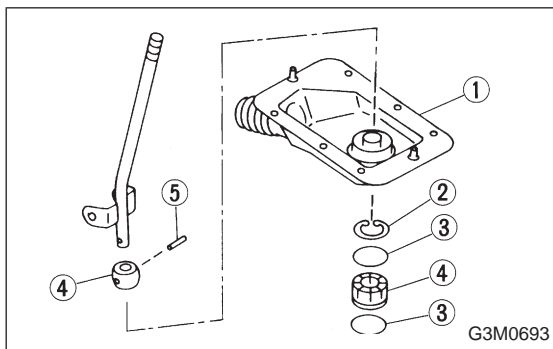
Check the following parts for deformation, damage and wear. Repair or replace any defective parts. Determine defective parts by comparing with new parts.

- ① Bush
- ② Cushion
- ③ Spacer
- ④ Boot
- ⑤ Stay, rod and lever
- ⑥ Spring



**D: ASSEMBLY**

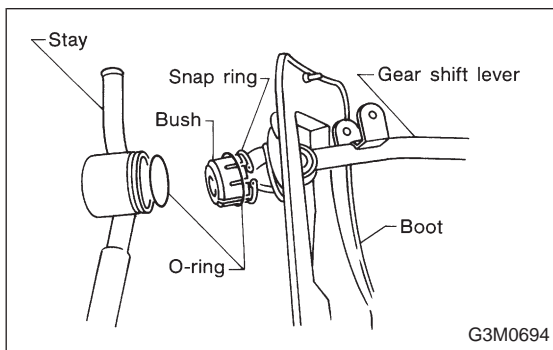
- 1) Clean all parts before assembly.
- 2) Mount the following parts on the stay.
  - ① Cushion rubber
  - ② Bush



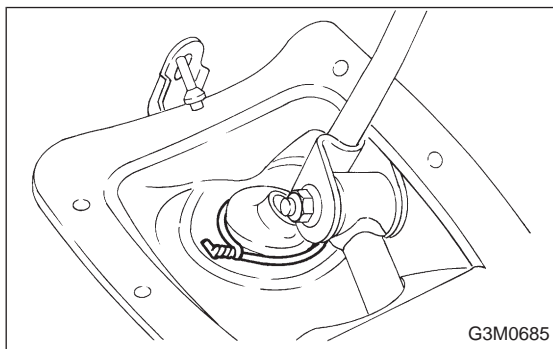
- 3) Mount the following parts on the gearshift lever.
  - ① Boot
  - ② Snap ring
  - ③ O-ring
  - ④ Bush
  - ⑤ Spring pin

**CAUTION:**

- Always use new O-rings.
- Apply grease [NIGLUBE-R or equivalent] to the inner surface of the bush.



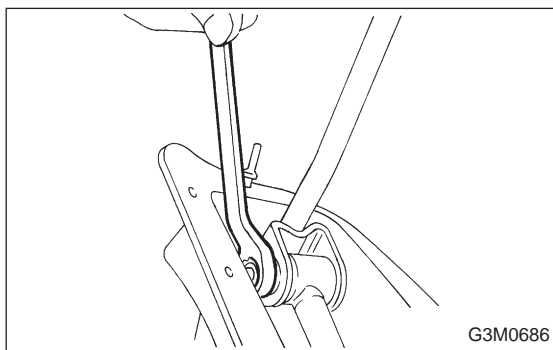
- 4) Mount gearshift lever on the stay.
- 5) Install snap ring to the case of the stay.



- 6) Tighten with locking wire to the extent that the boot will not come off.

**CAUTION:**

- Always use new locking wire.



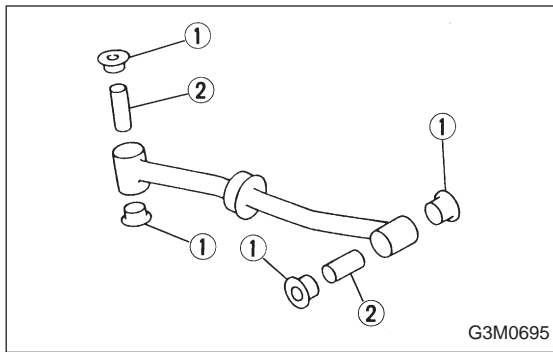
- 7) Insert the rod into the boot hole.
- 8) Connect rod to gearshift lever.

**Tightening torque:**

$12 \pm 3 \text{ N}\cdot\text{m}$  ( $1.2 \pm 0.3 \text{ kg}\cdot\text{m}$ ,  $8.7 \pm 2.2 \text{ ft}\cdot\text{lb}$ )

**Rocking torque:**

$0.74 \pm 0.25 \text{ N}\cdot\text{m}$  ( $0.075 \pm 0.025 \text{ kg}\cdot\text{m}$ ,  $0.54 \pm 0.18 \text{ ft}\cdot\text{lb}$ )  
or less



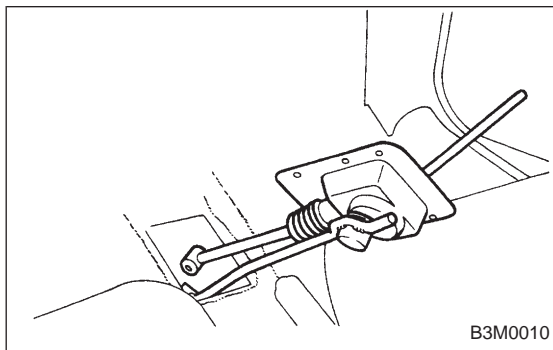
9) Mount the following parts on the rod.

- ① Bush
- ② Spacer

**CAUTION:**

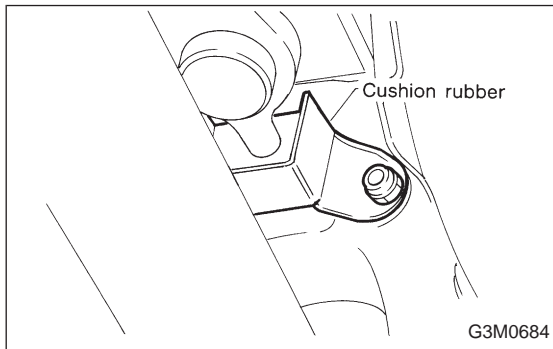
- Apply grease [NIGLUBE-R or equivalent] to inner and side surfaces of the bush when installing spacers.
- The rod should be installed in the direction shown in the figure.

10) Check that there is no excessive play and that parts move smoothly.



**E: INSTALLATION**

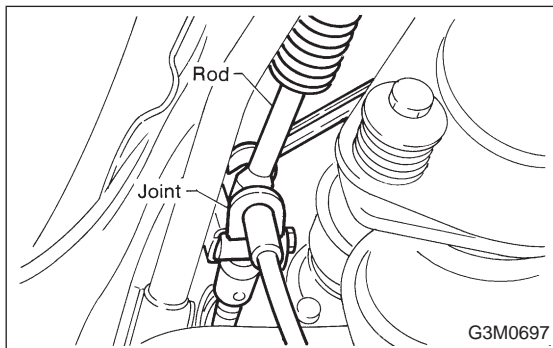
- 1) Put into gearshift lever from passenger compartment.
- 2) Mount boot plate on the body.
- 3) Install console box and gearshift knob. <Ref. to 5-4 [W1B0].>



4) Mount cushion rubber on the body.

**Tightening torque:**

**$18 \pm 5 \text{ N}\cdot\text{m}$  ( $1.84 \pm 0.51 \text{ kg}\cdot\text{m}$ ,  $13.3 \pm 3.7 \text{ ft}\cdot\text{lb}$ )**



5) Connect rod to the joint.

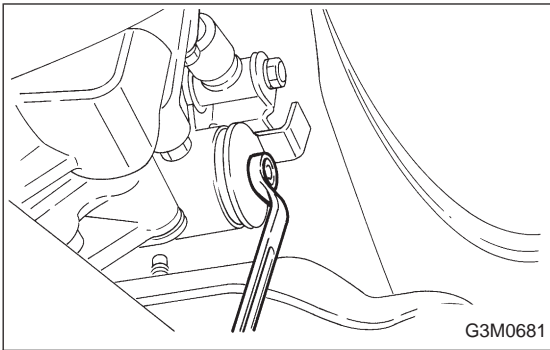
**Tightening torque:**

**FWD model**

**$12 \pm 3 \text{ N}\cdot\text{m}$  ( $1.2 \pm 0.3 \text{ kg}\cdot\text{m}$ ,  $8.7 \pm 2.2 \text{ ft}\cdot\text{lb}$ )**

**AWD model**

**$18 \pm 5 \text{ N}\cdot\text{m}$  ( $1.84 \pm 0.51 \text{ kg}\cdot\text{m}$ ,  $13.3 \pm 3.7 \text{ ft}\cdot\text{lb}$ )**

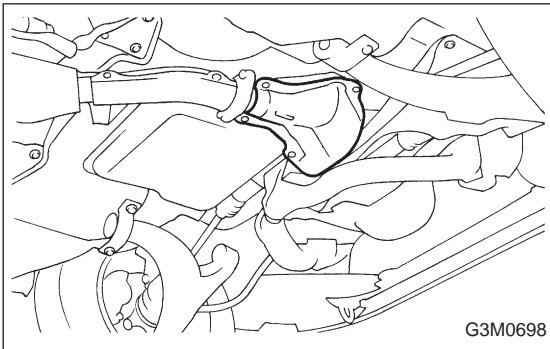


6) Connect stay to the bracket.

**Tightening torque:**

**$18\pm 5$  N·m ( $1.84\pm 0.51$  kg·m,  $13.3\pm 3.7$  ft·lb)**

7) Install the exhaust cover.

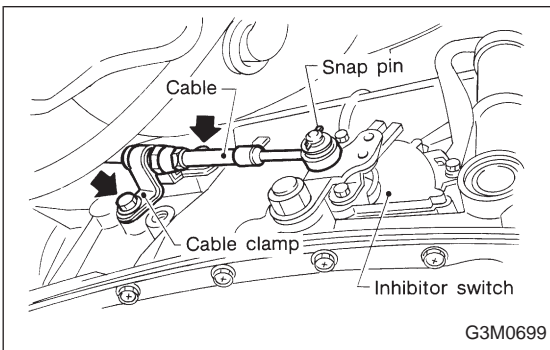


**2. Automatic Transmission**

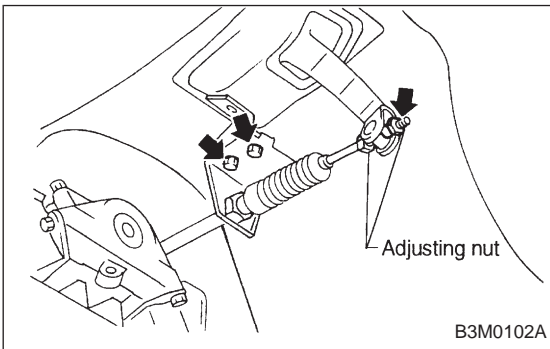
**A: REMOVAL**

1) Remove the cable.

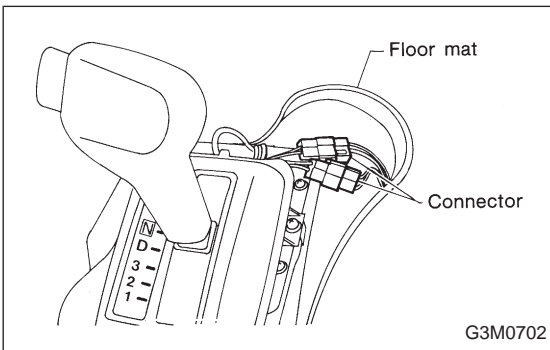
- (1) Prior to removal, set lever to "N" position.
- (2) Remove front exhaust pipe.



- (3) Separate cable from transmission lever.
- (4) Remove clamp from transmission case.



(5) Disconnect cable from selector lever and then remove cable bracket.



2) Remove console box. <Ref. to 5-4 [W1A0].>

3) Disconnect the connectors.