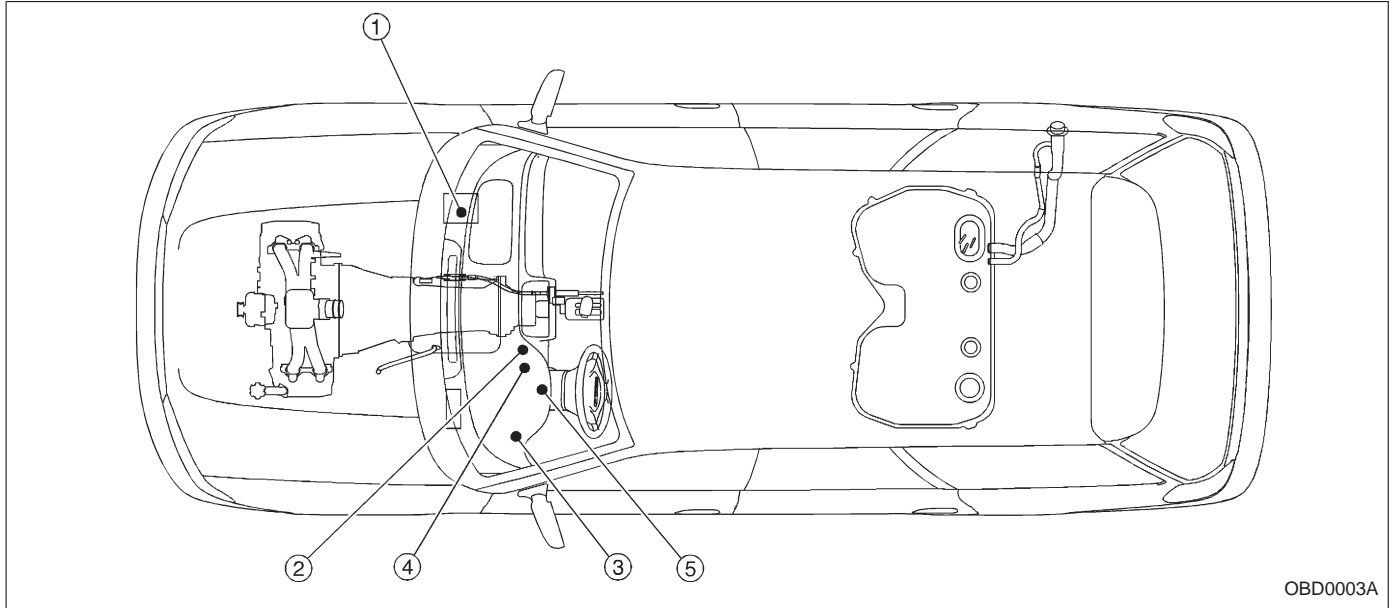


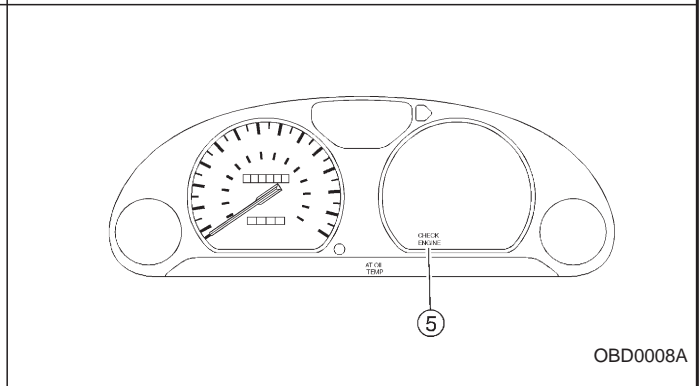
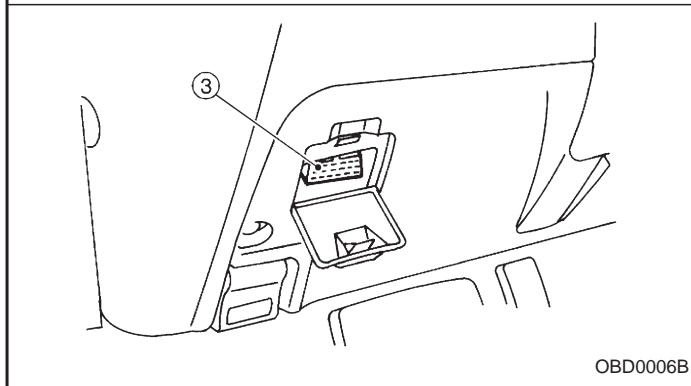
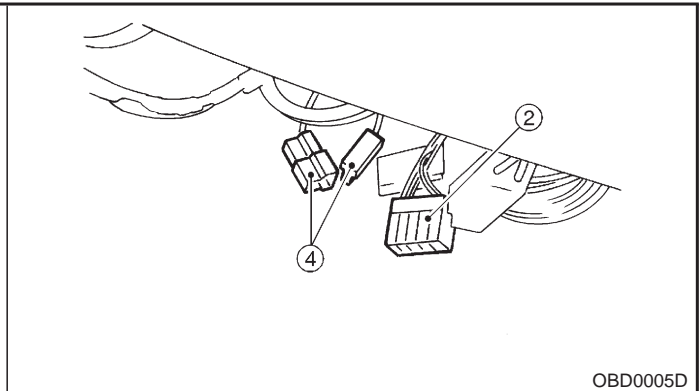
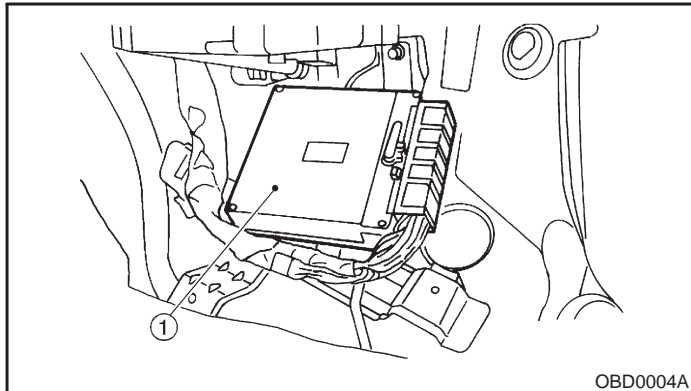
### 2. Electrical Components Location

#### A: ENGINE

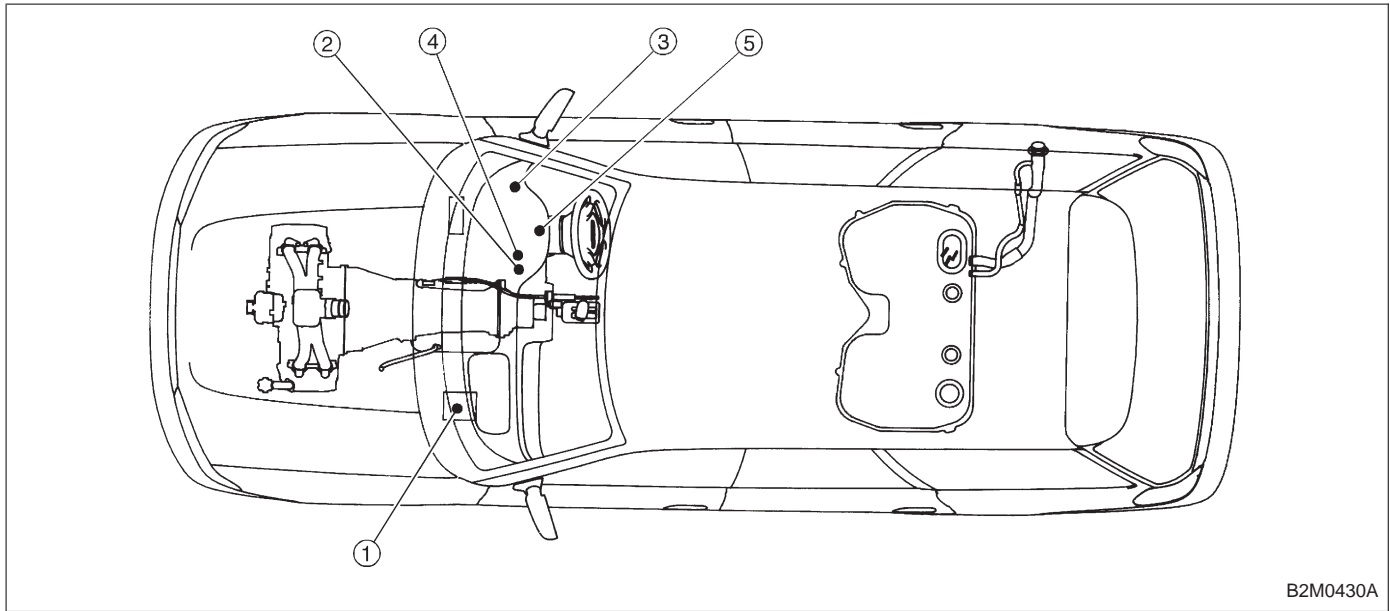
##### 1. MODULE (LHD MODEL)



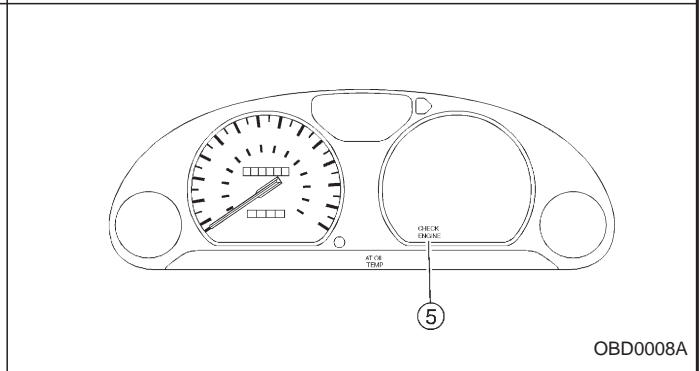
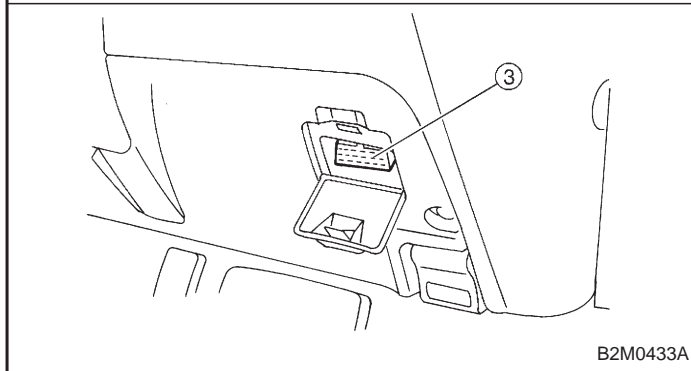
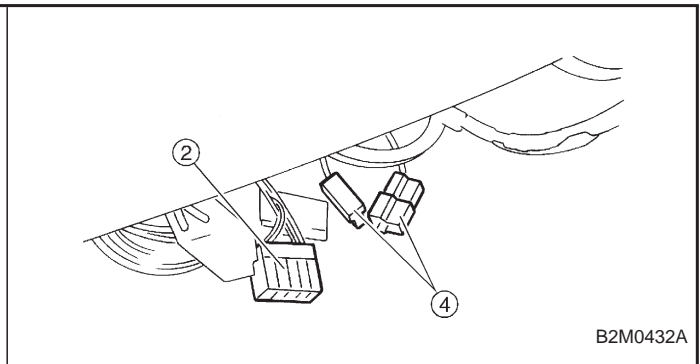
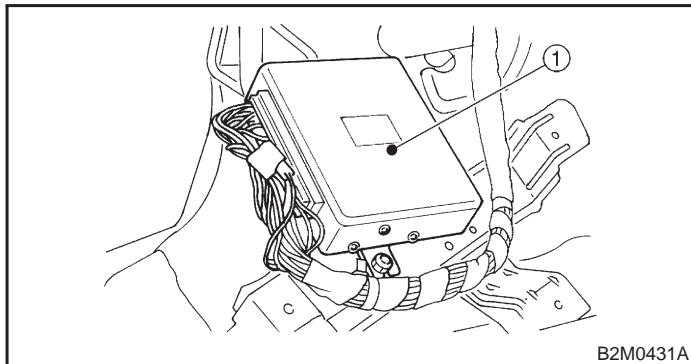
- ① Engine control module (ECM)
- ② Data link connector (for Subaru select monitor only)
- ③ Data link connector (for Subaru select monitor and OBD-II general scan tool)
- ④ Test mode connector
- ⑤ CHECK ENGINE malfunction indicator lamp (MIL)



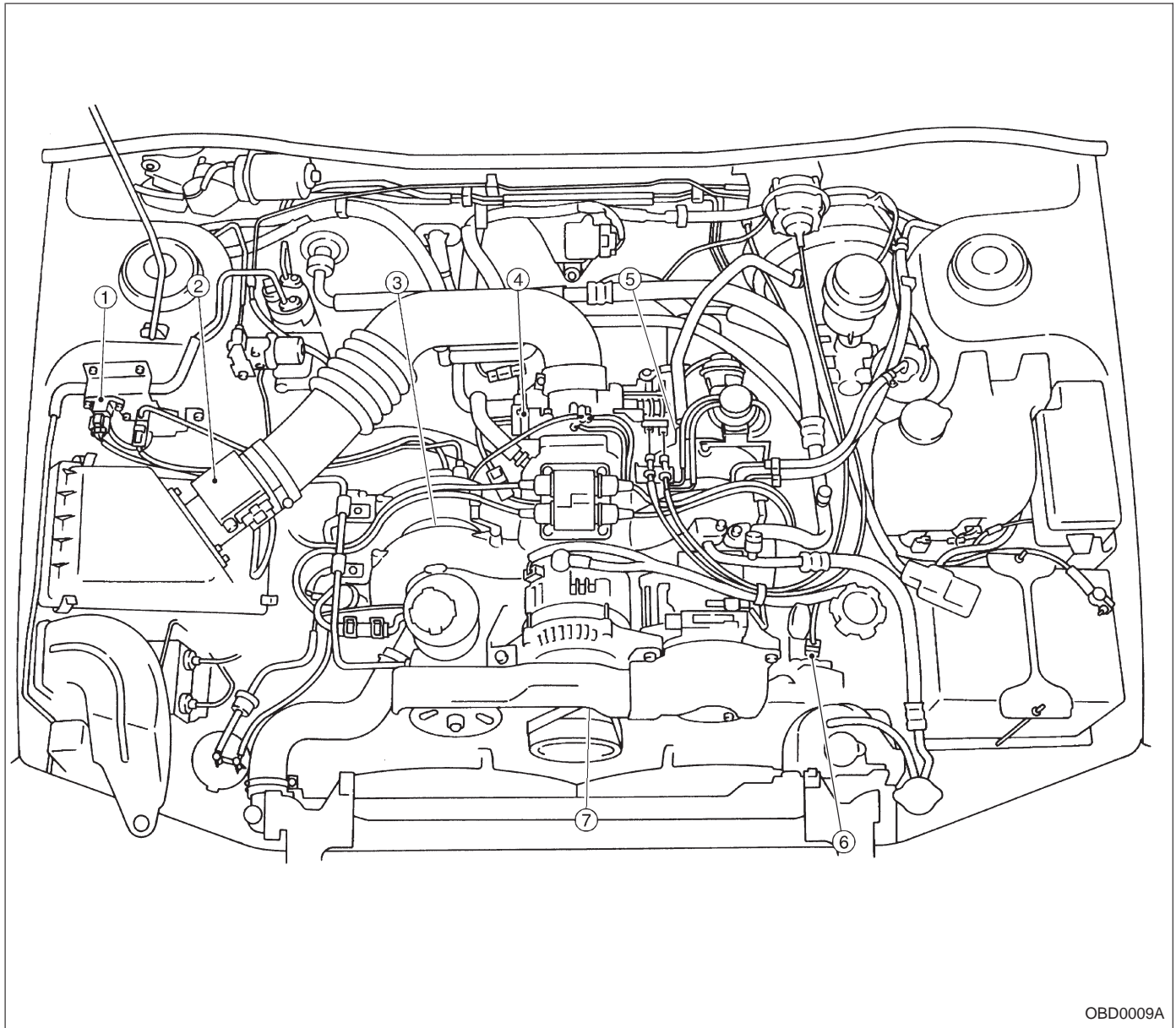
### 2. MODULE (RHD MODEL)



- ① Engine control module (ECM)
- ② Data link connector (for Subaru select monitor only)
- ③ Data link connector (for Subaru select monitor and OBD-II general scan tool)
- ④ Test mode connector
- ⑤ CHECK ENGINE malfunction indicator lamp (MIL)



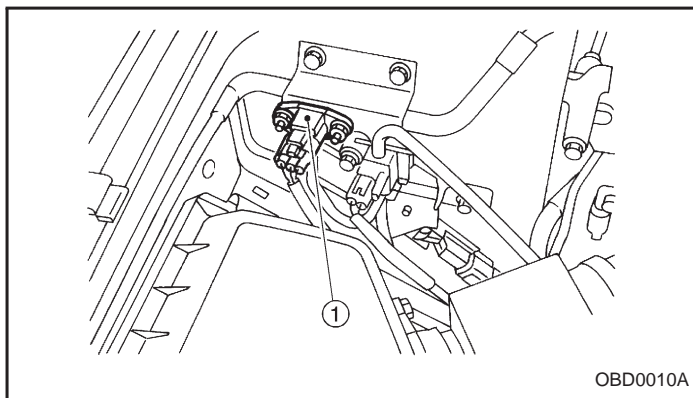
3. SENSOR



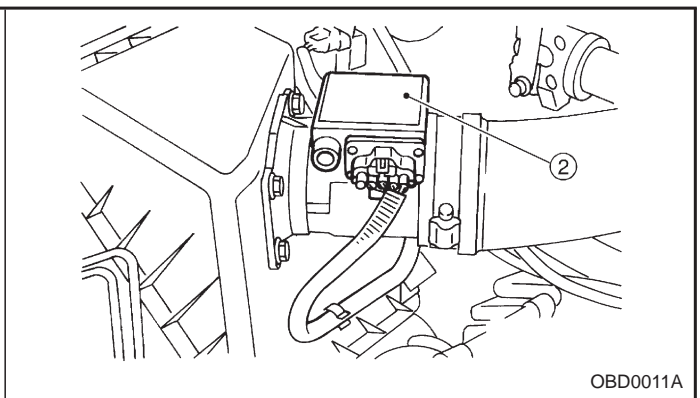
OBD0009A

- ① Pressure sensor (AT vehicles only)
- ② Mass air flow sensor
- ③ Engine coolant temperature sensor
- ④ Throttle position sensor

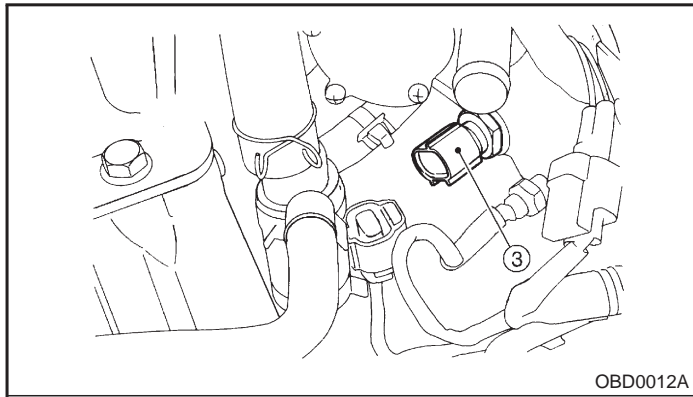
- ⑤ Knock sensor
- ⑥ Camshaft position sensor
- ⑦ Crankshaft position sensor



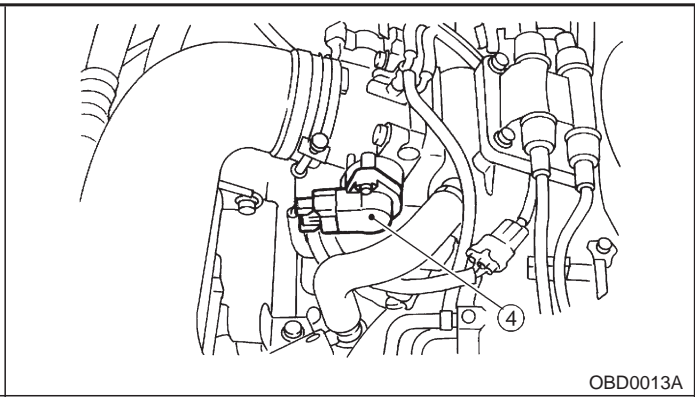
OBD0010A



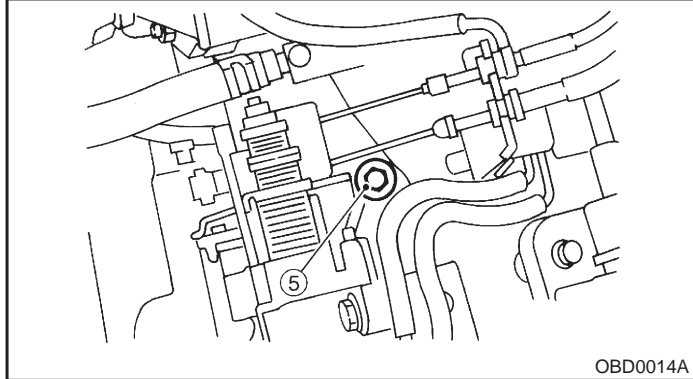
OBD0011A



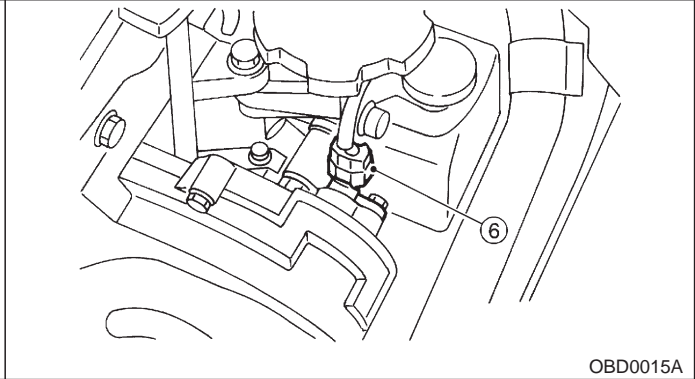
OBD0012A



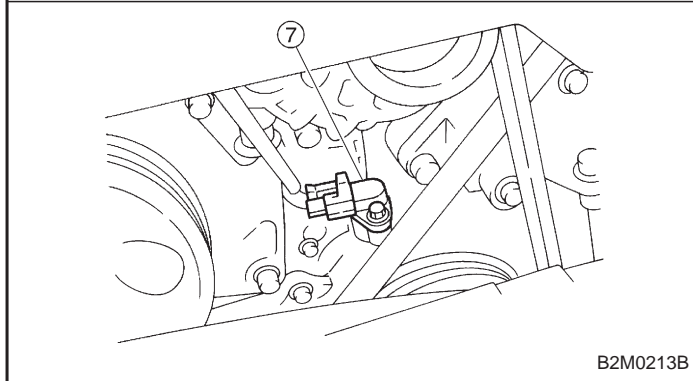
OBD0013A



OBD0014A

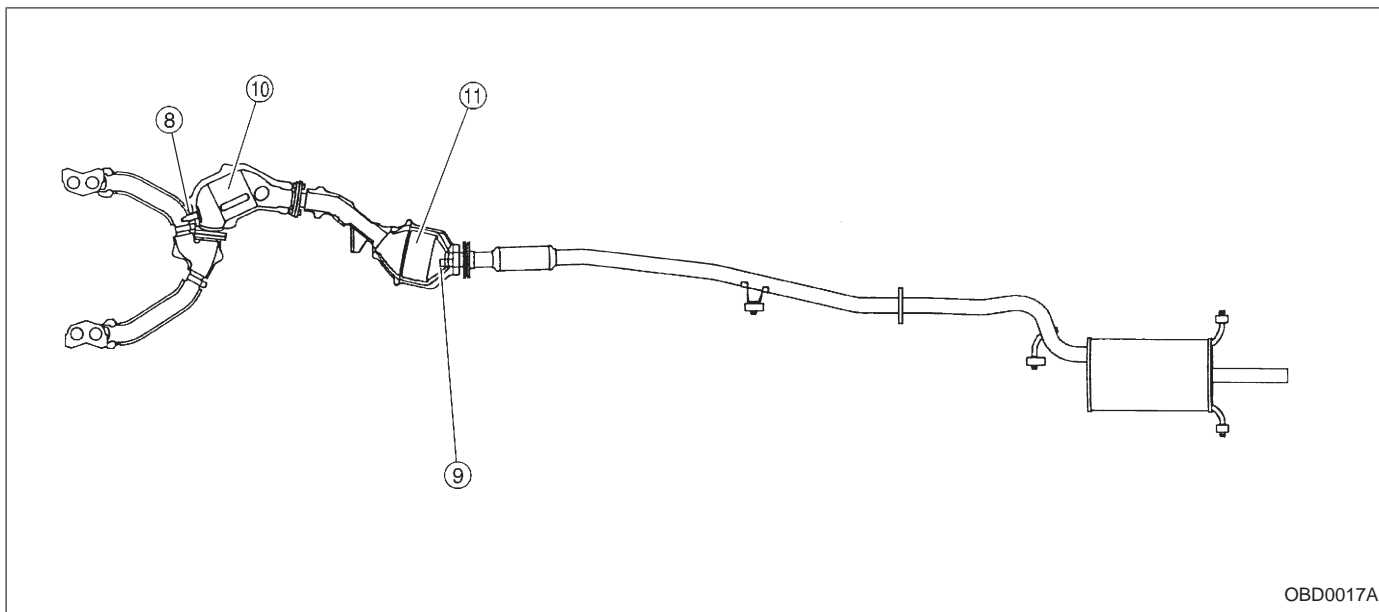


OBD0015A



B2M0213B

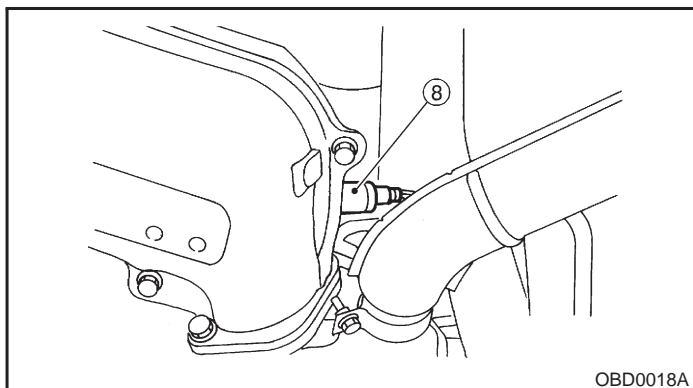




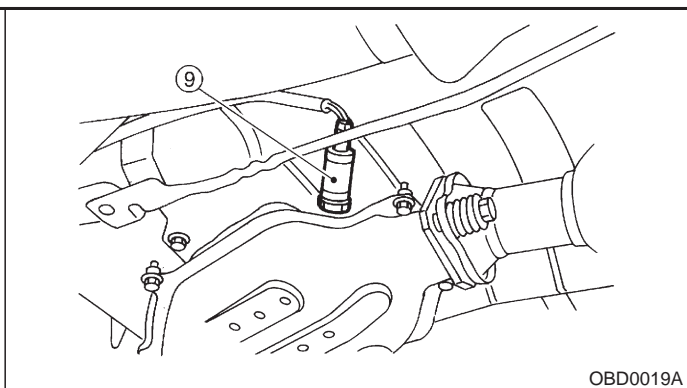
OBD0017A

- ⑧ Front oxygen sensor
- ⑨ Rear oxygen sensor

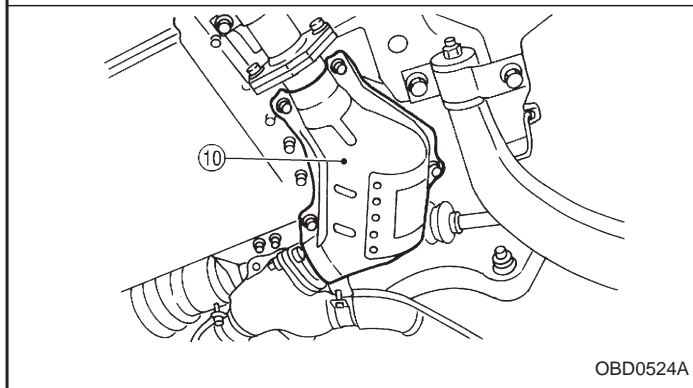
- ⑩ Front catalytic converter
- ⑪ Rear catalytic converter



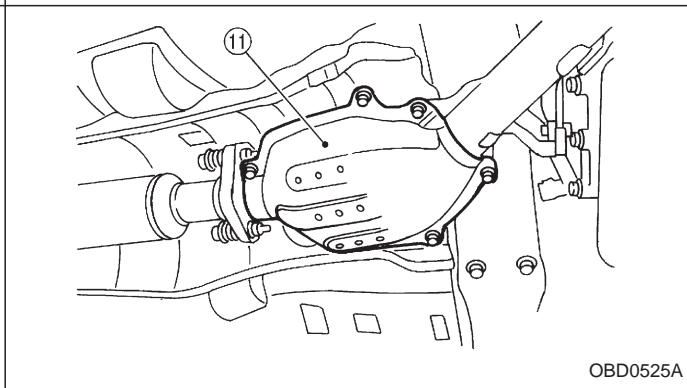
OBD0018A



OBD0019A

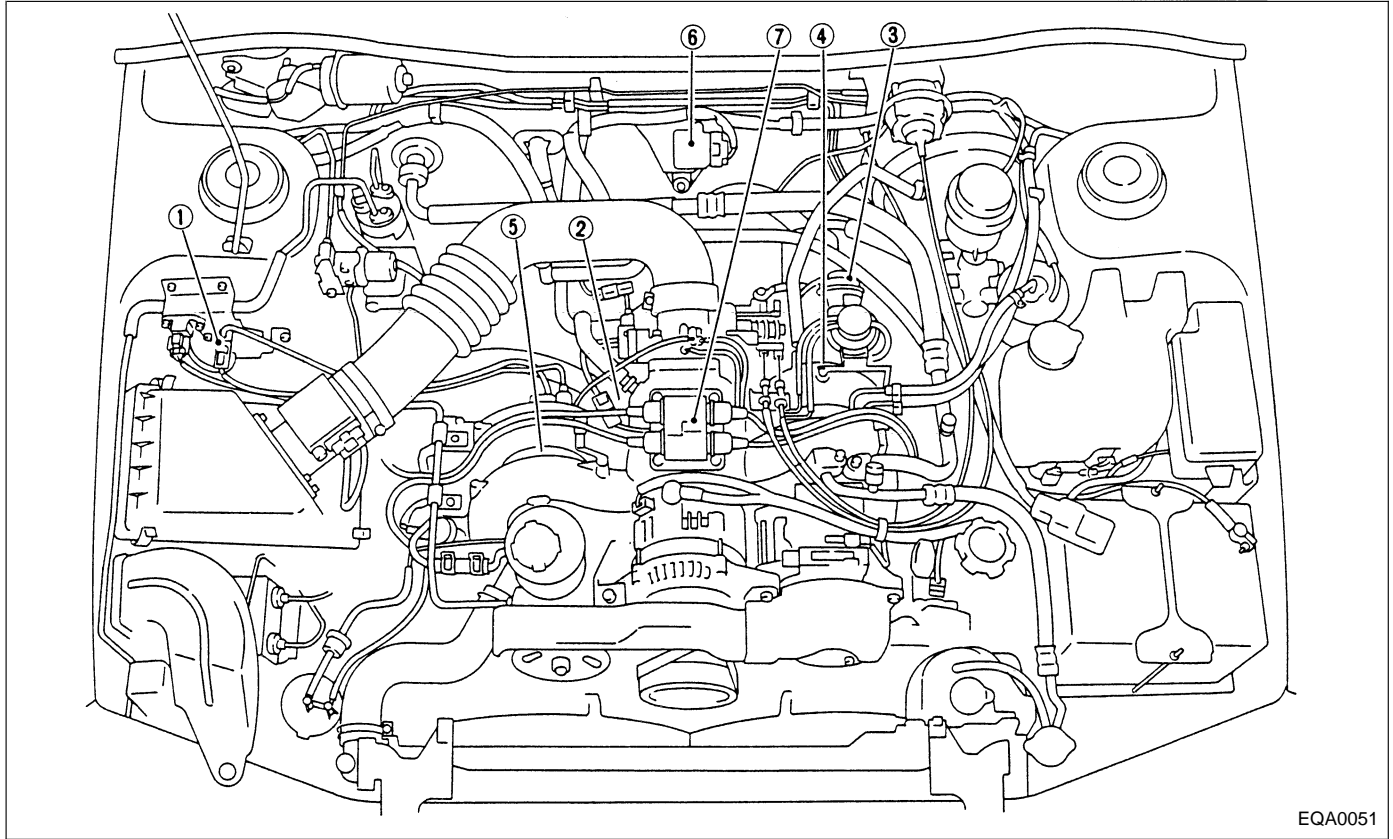


OBD0524A



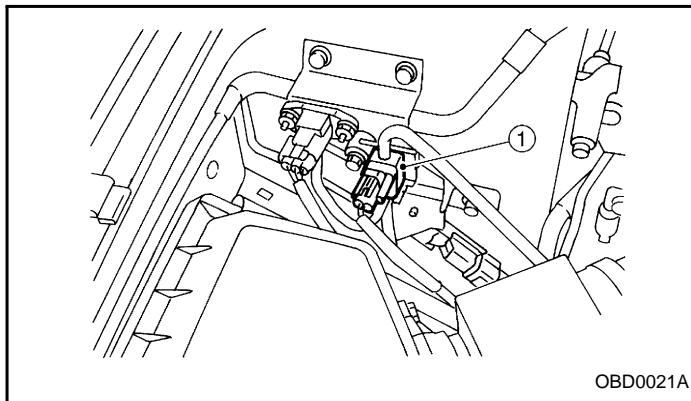
OBD0525A

4. SOLENOID VALVE, EMISSION CONTROL SYSTEM PARTS AND IGNITION SYSTEM PARTS (LHD MODEL)

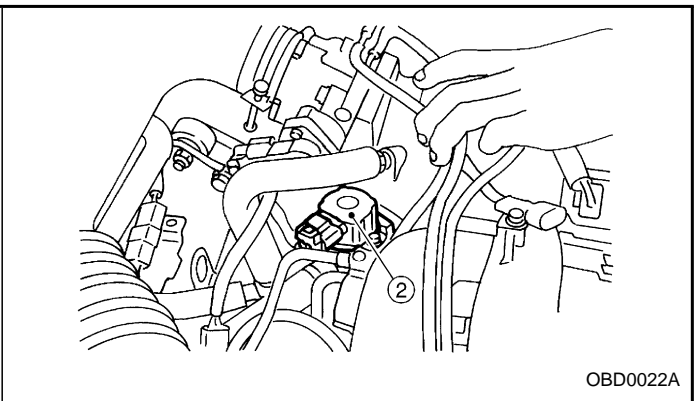


EQA0051

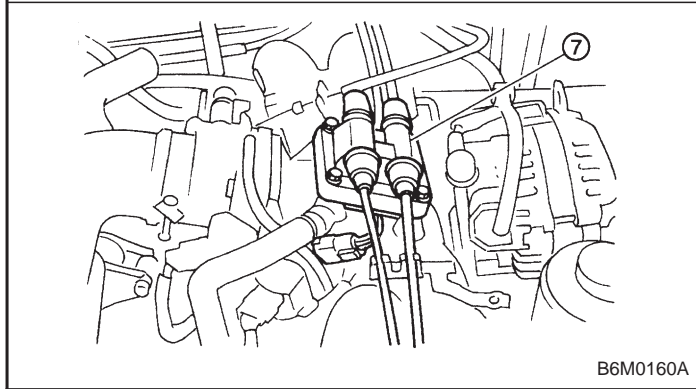
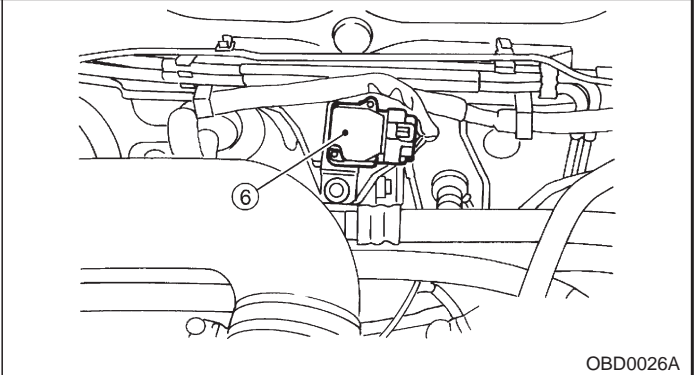
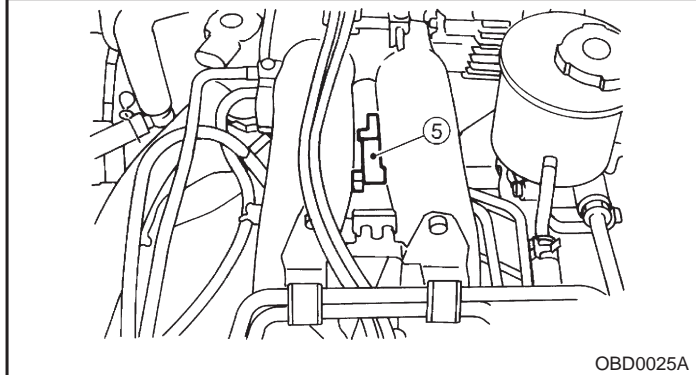
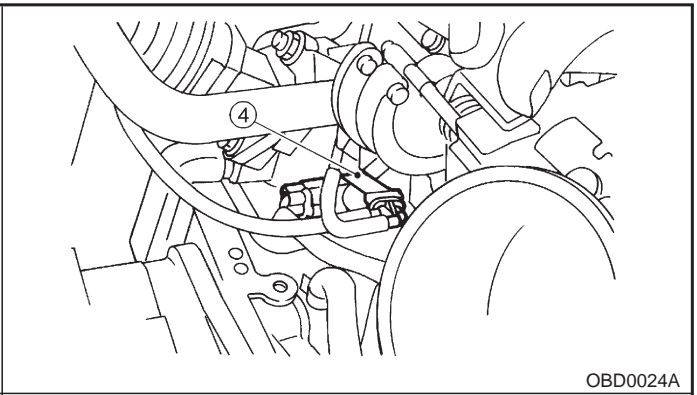
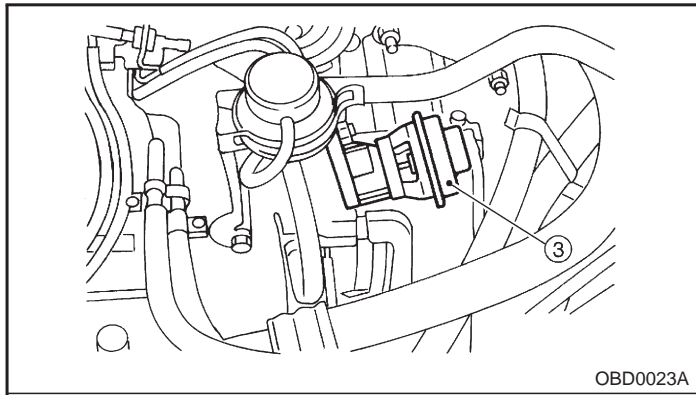
- |   |   |
|---|---|
| <ul style="list-style-type: none"> <li>① Pressure sources switching solenoid valve (AT vehicles only)</li> <li>② Idle air control solenoid valve</li> <li>③ EGR valve (AT vehicles only)</li> </ul> | <ul style="list-style-type: none"> <li>④ EGR control solenoid valve (AT vehicles only)</li> <li>⑤ Purge control solenoid valve</li> <li>⑥ Ignitor</li> <li>⑦ Ignition coil</li> </ul> |
|---|---|

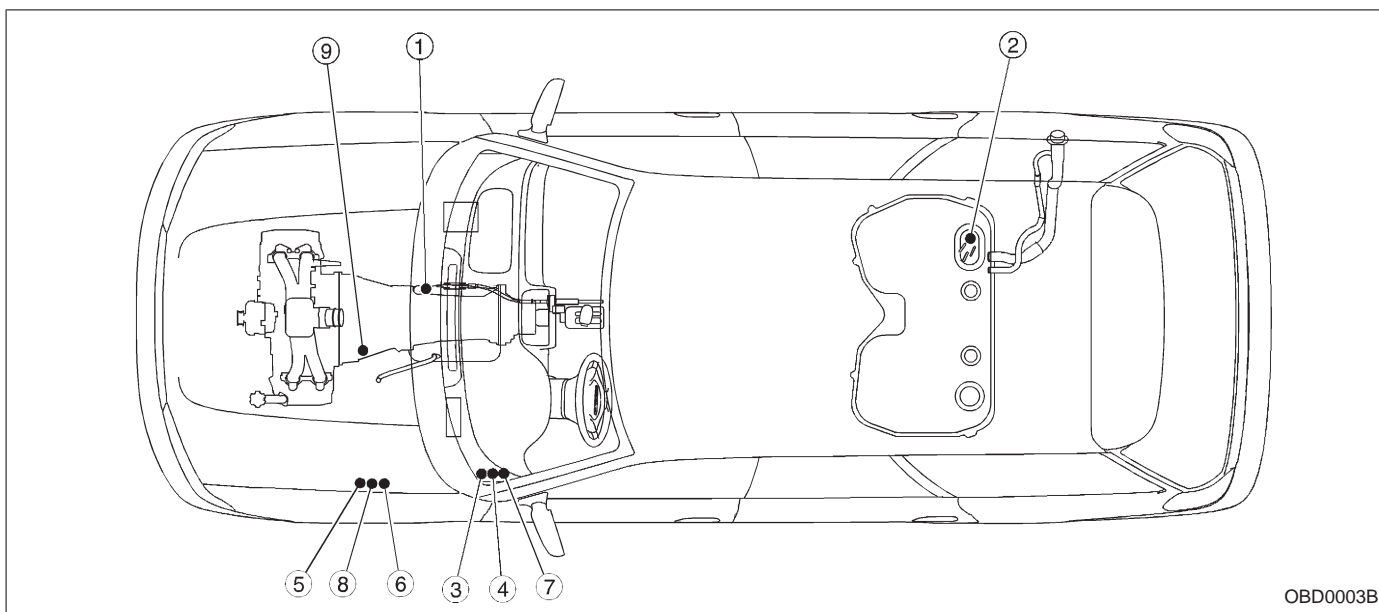


OBD0021A



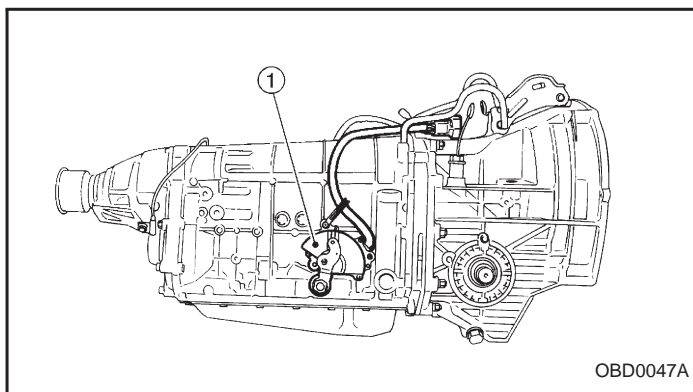
OBD0022A



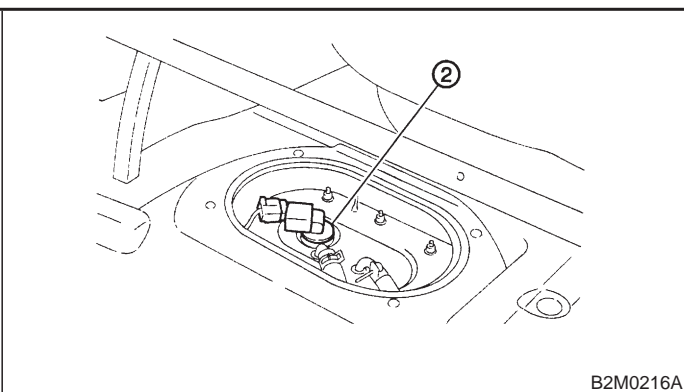


OBD0003B

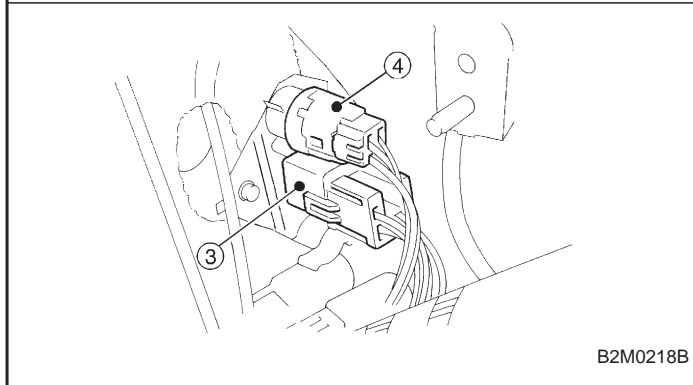
- |   |  |
|---|--|
| <ul style="list-style-type: none"> <li>① Inhibitor switch (AT vehicles only)</li> <li>② Fuel pump</li> <li>③ Main relay</li> <li>④ Fuel pump relay</li> <li>⑤ Radiator main fan relay 1 (With A/C models only)</li> </ul> | <ul style="list-style-type: none"> <li>⑥ Radiator main fan relay 2 (With A/C models only)</li> <li>⑦ Radiator sub fan relay 1 (With A/C models)<br/>Main fan relay (Without A/C models)</li> <li>⑧ Radiator sub fan relay 2 (With A/C models only)</li> <li>⑨ Starter</li> </ul> |
|---|--|



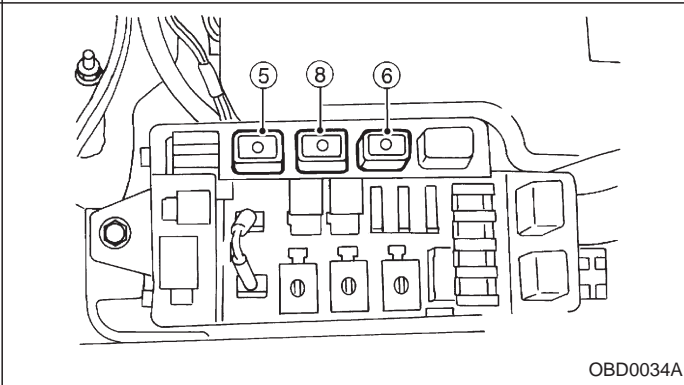
OBD0047A



B2M0216A

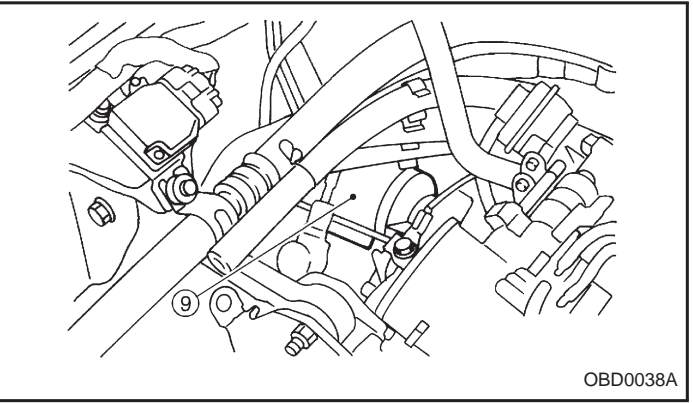
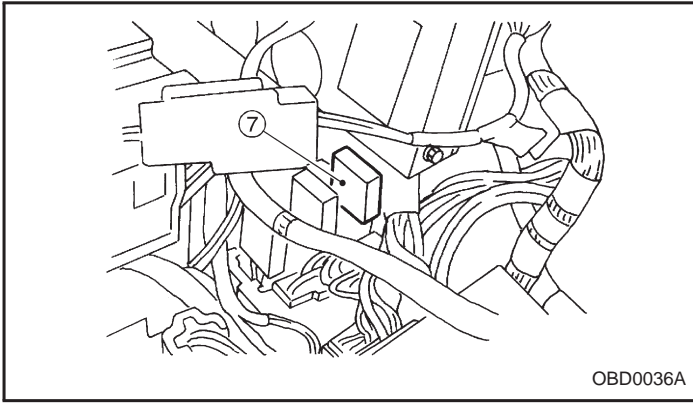


B2M0218B

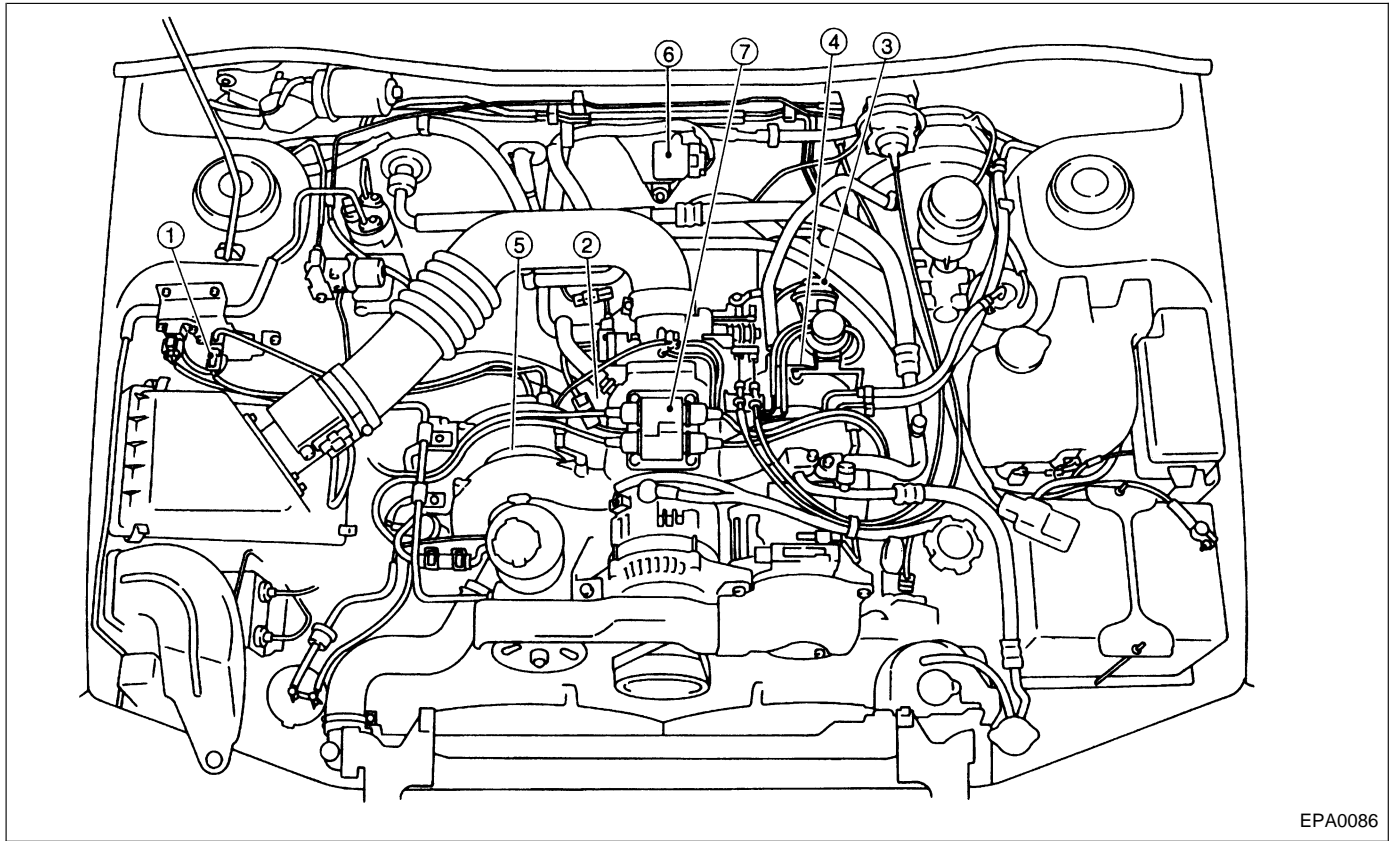


OBD0034A





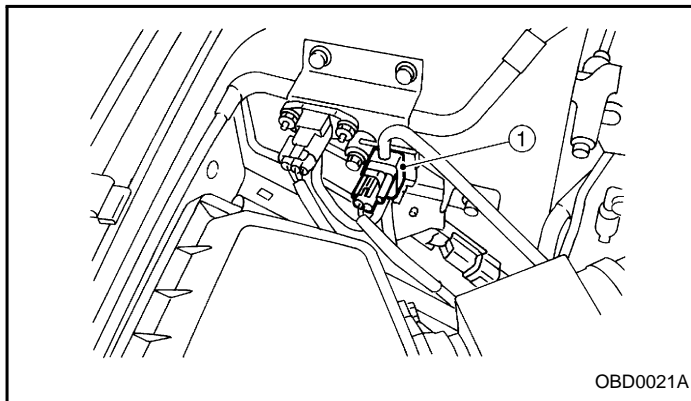
### 5. SOLENOID VALVE, EMISSION CONTROL SYSTEM PARTS AND IGNITION SYSTEM PARTS (RHD MODEL)



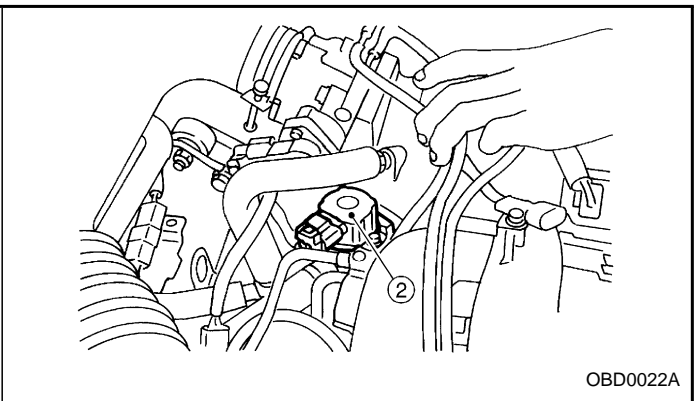
EPA0086

- ① Pressure sources switching solenoid valve
- ② Idle air control solenoid valve
- ③ EGR valve
- ④ EGR control solenoid valve

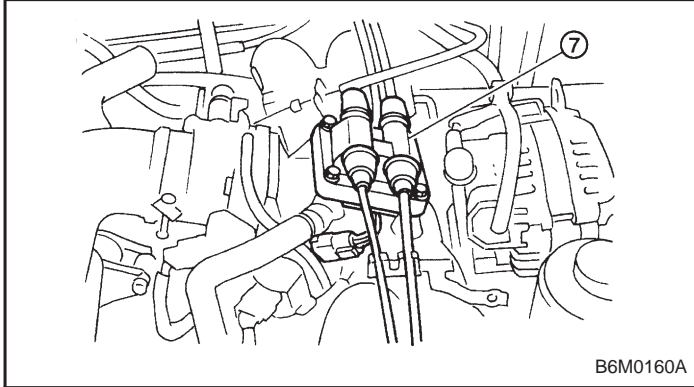
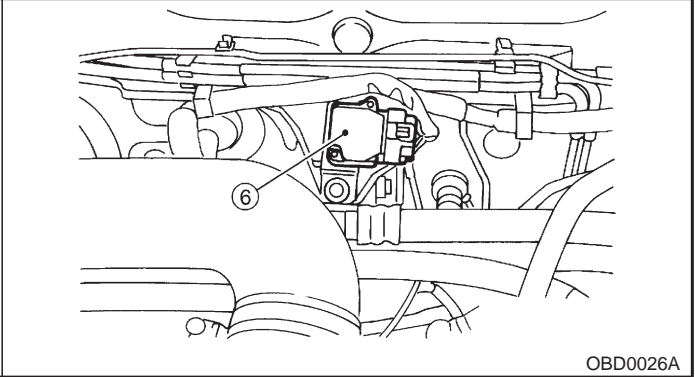
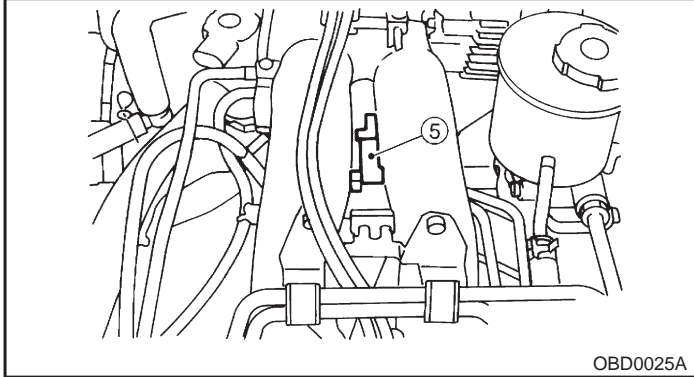
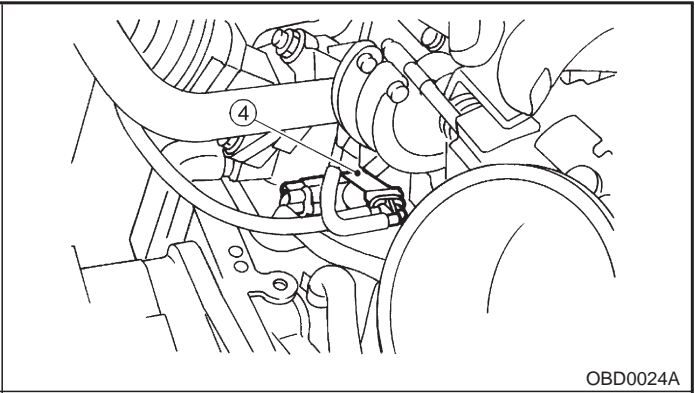
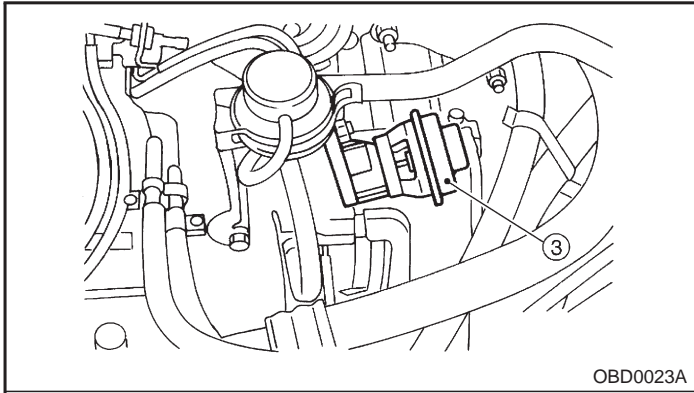
- ⑤ Purge control solenoid valve
- ⑥ Ignitor
- ⑦ Ignition coil

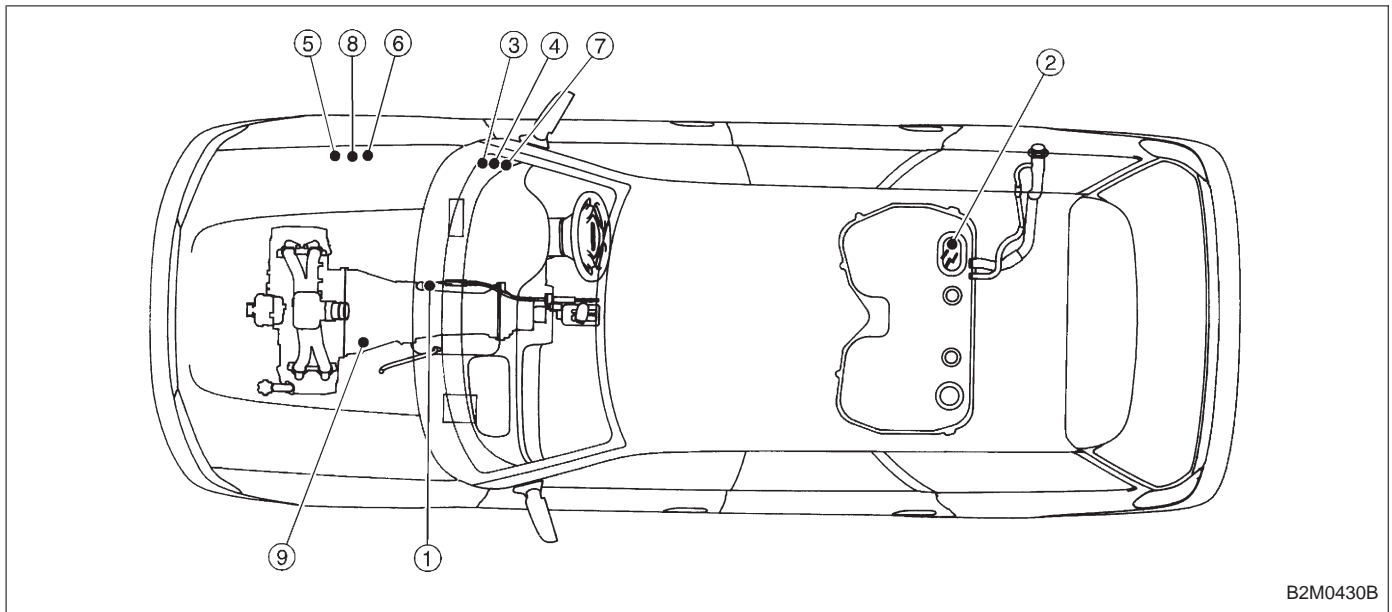


OBD0021A



OBD0022A

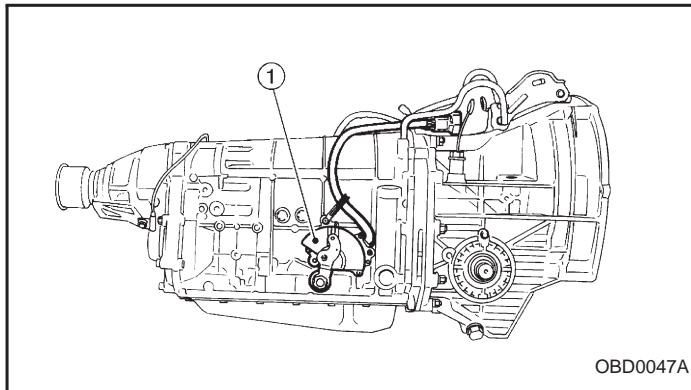




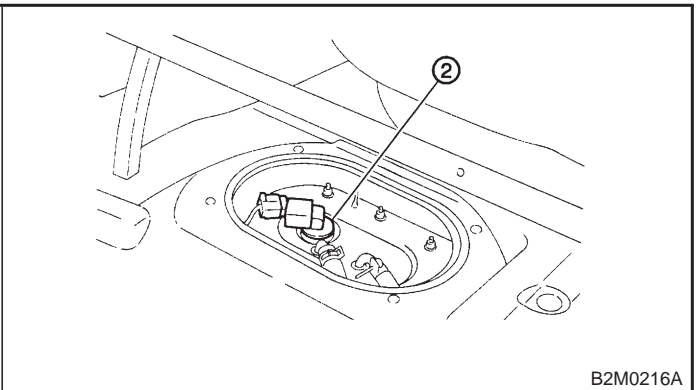
B2M0430B

- ① Inhibitor switch
- ② Fuel pump
- ③ Main relay
- ④ Fuel pump relay
- ⑤ Radiator main fan relay 1

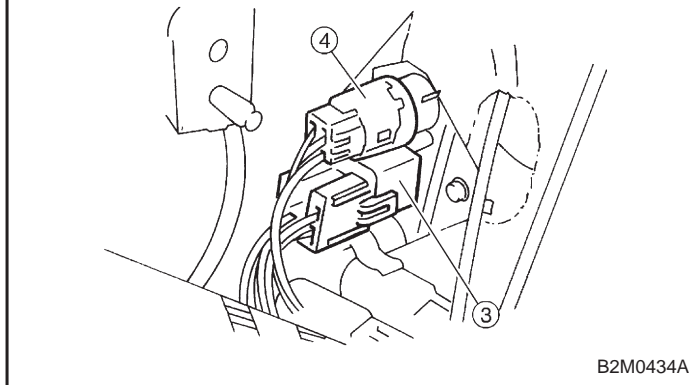
- ⑥ Radiator main fan relay 2
- ⑦ Radiator sub fan relay 1
- ⑧ Radiator sub fan relay 2
- ⑨ Starter



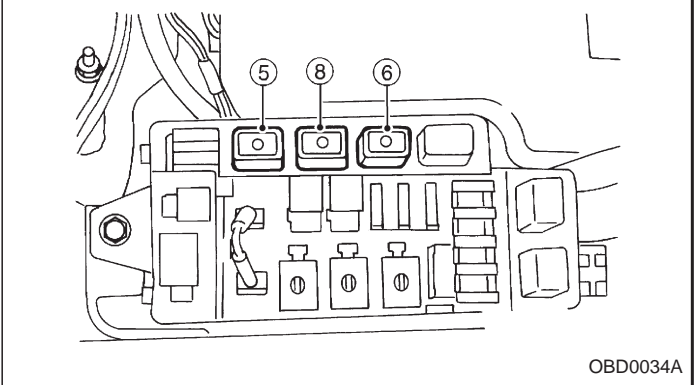
OBD0047A



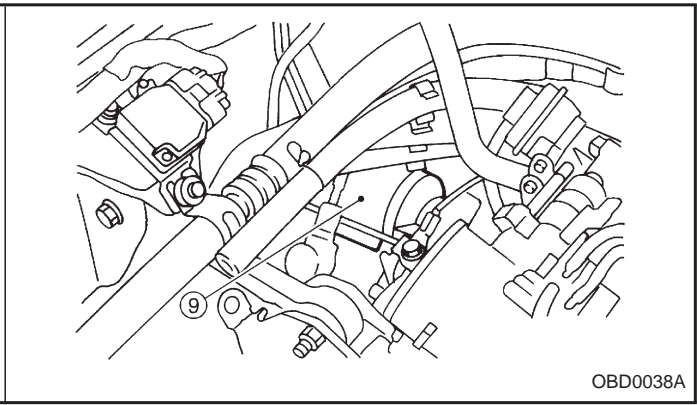
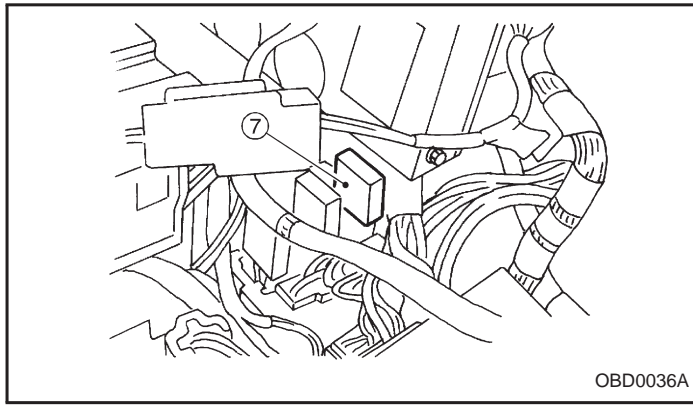
B2M0216A



B2M0434A

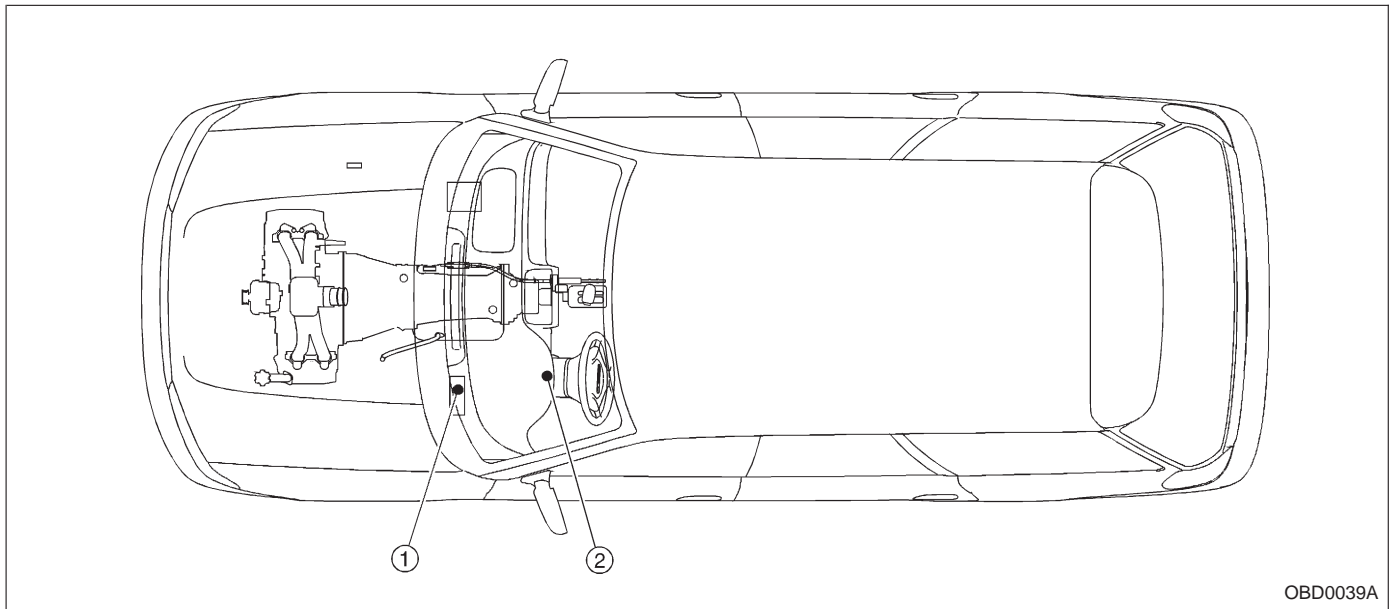


OBD0034A



**B: TRANSMISSION**

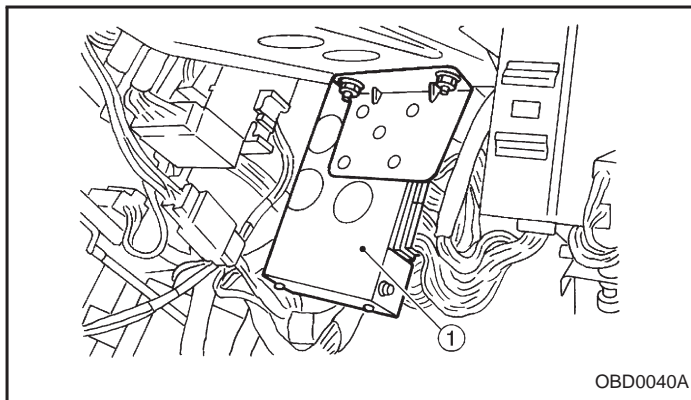
**1. MODULE (LHD MODEL)**



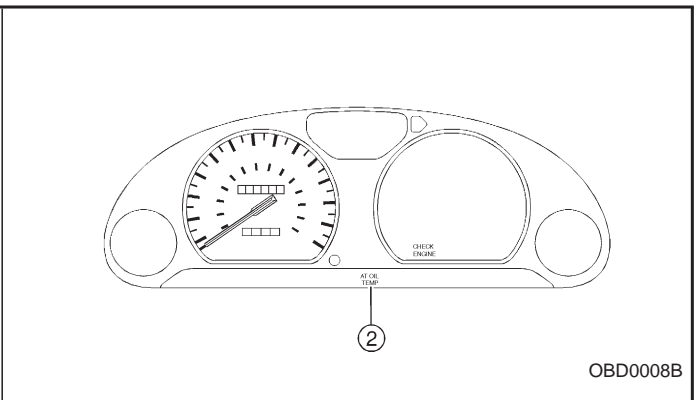
OBD0039A

① Transmission Control Module (TCM) (for AT vehicles)

② AT diagnostic indicator light (for AT vehicles)

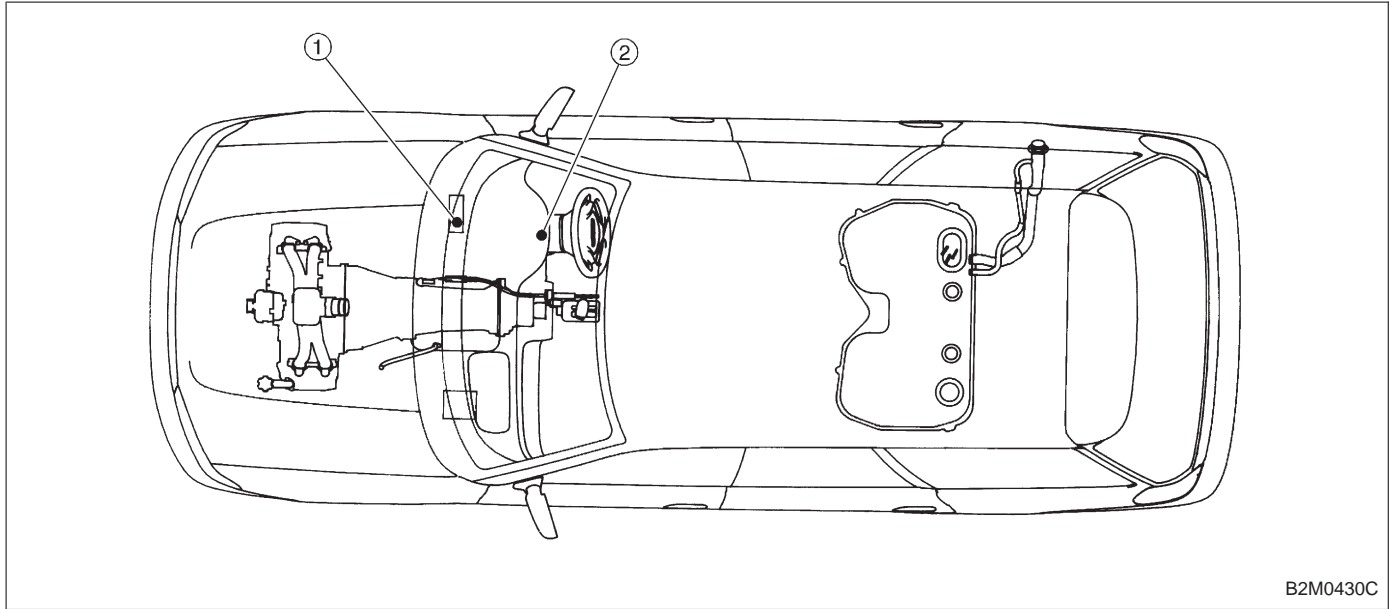


OBD0040A



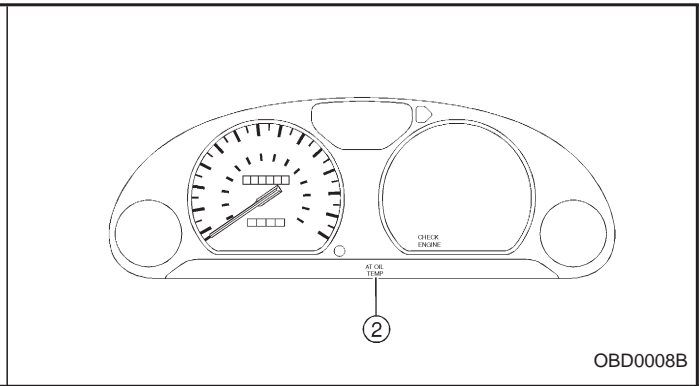
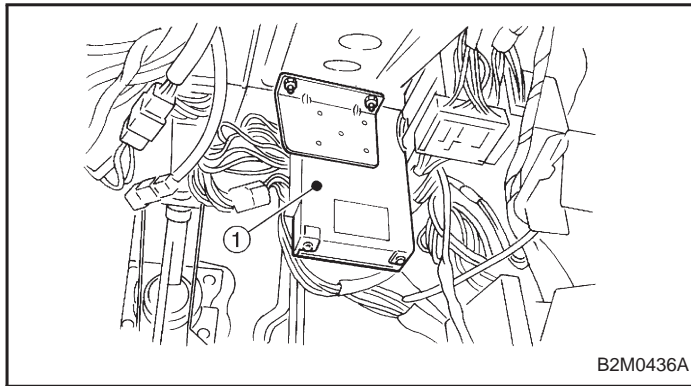
OBD0008B

2. MODULE (RHD MODEL)

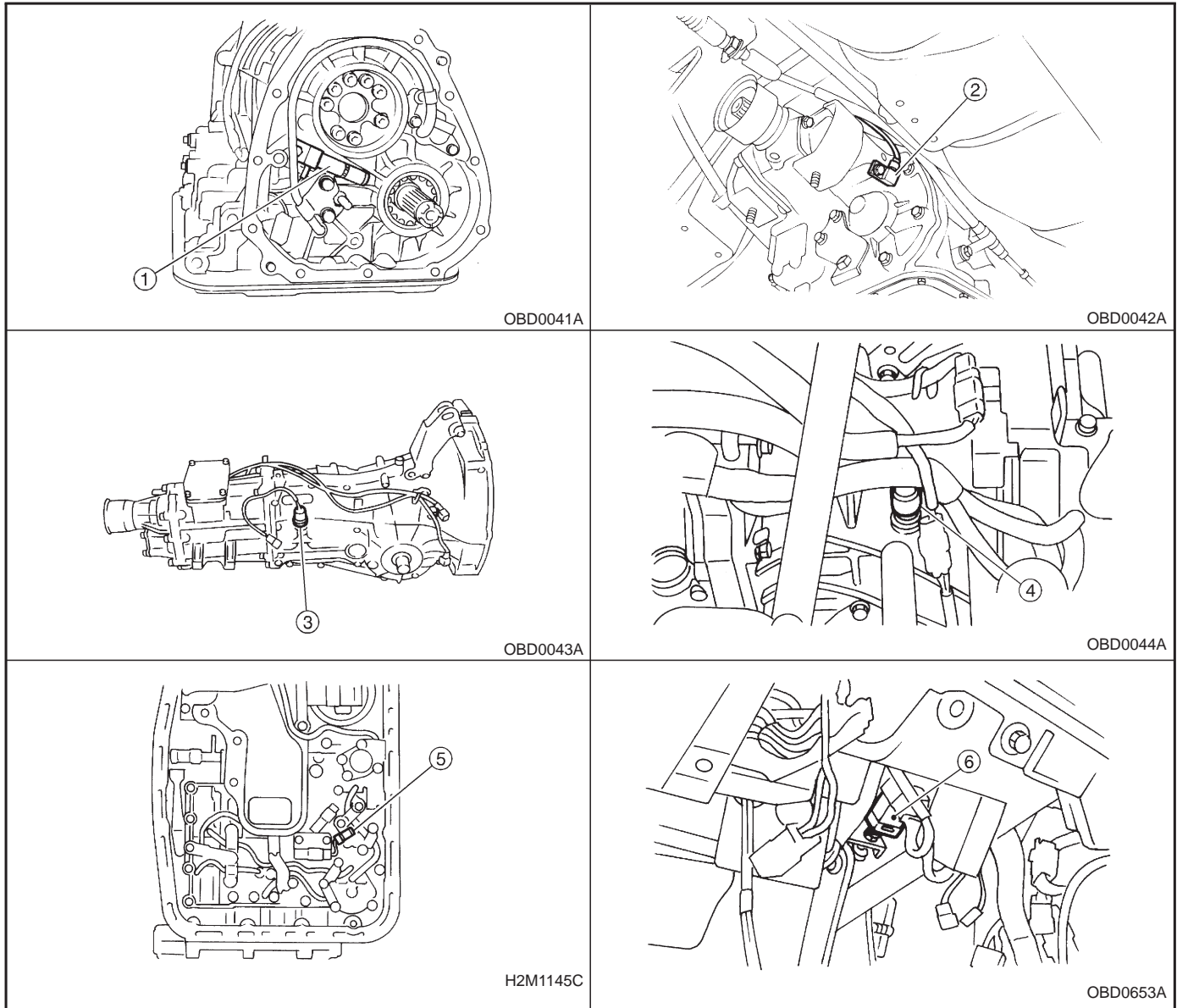


① Transmission Control Module (TCM)

② AT diagnostic indicator light



3. SENSOR (LHD MODEL)

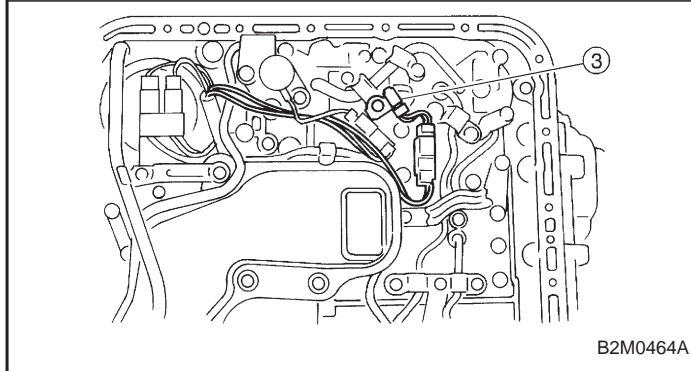
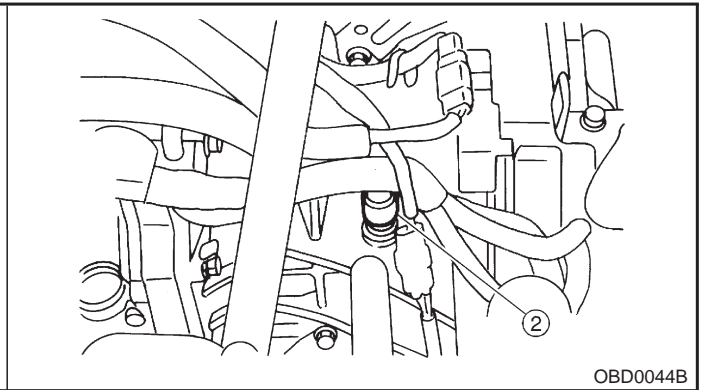
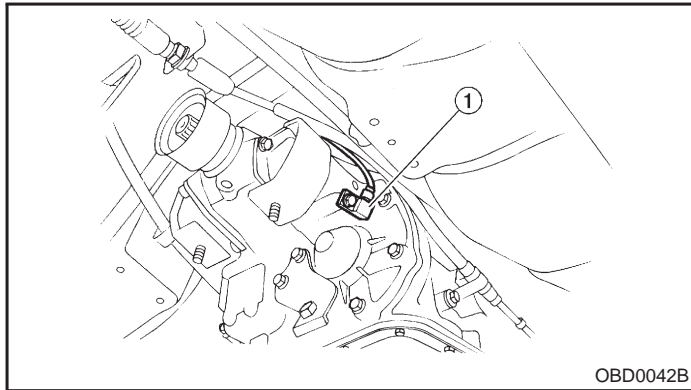


- ① Vehicle speed sensor 1 (for AT FWD vehicles)
- ② Vehicle speed sensor 1 (for AT AWD vehicles)
- ③ Vehicle speed sensor 2 (for MT vehicles)

- ④ Vehicle speed sensor 2 (for AT vehicles)
- ⑤ ATF temperature sensor (for AT vehicles)
- ⑥ Brake light switch



4. SENSOR (RHD MODEL)

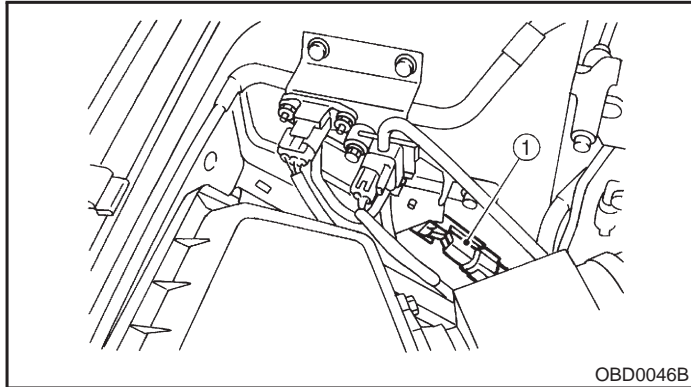


- ① Vehicle speed sensor 1
- ② Vehicle speed sensor 2

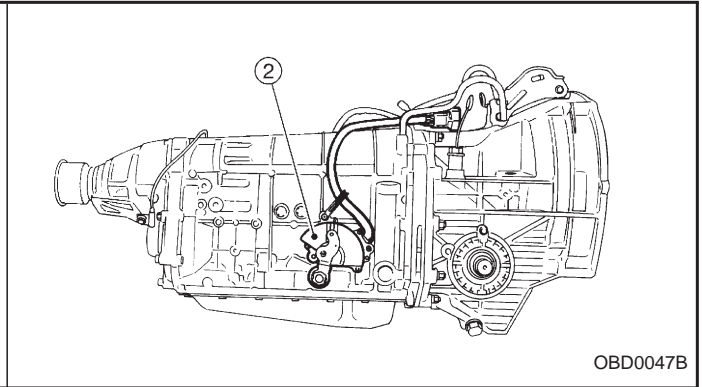
- ③ ATF temperature sensor
- ④ Brake light switch

5. SOLENOID VALVE AND RELAY

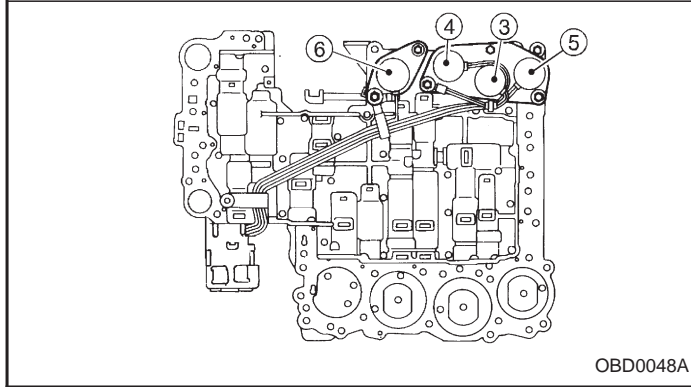
● For AT vehicles



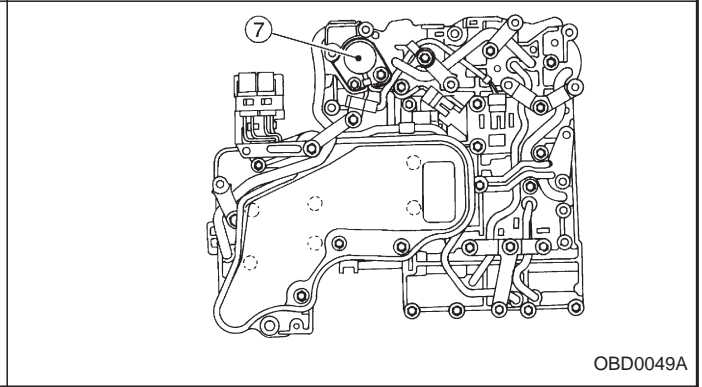
OBD0046B



OBD0047B



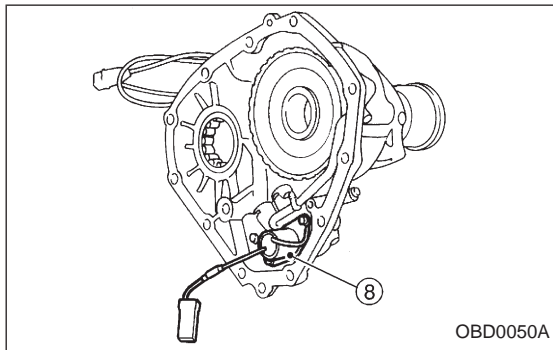
OBD0048A



OBD0049A

- ① Dropping resistor
- ② Inhibitor switch
- ③ Shift solenoid valve 1
- ④ Shift solenoid valve 2

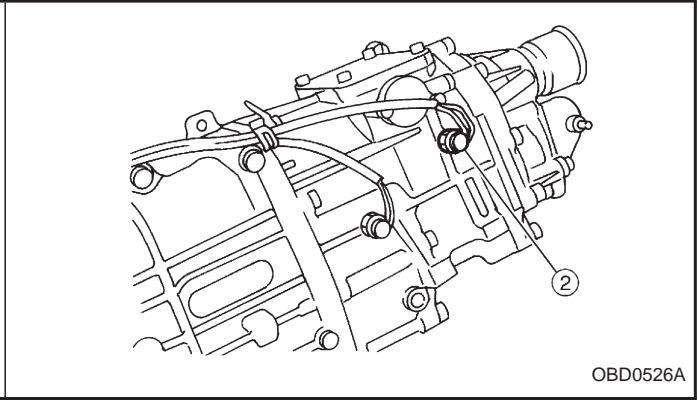
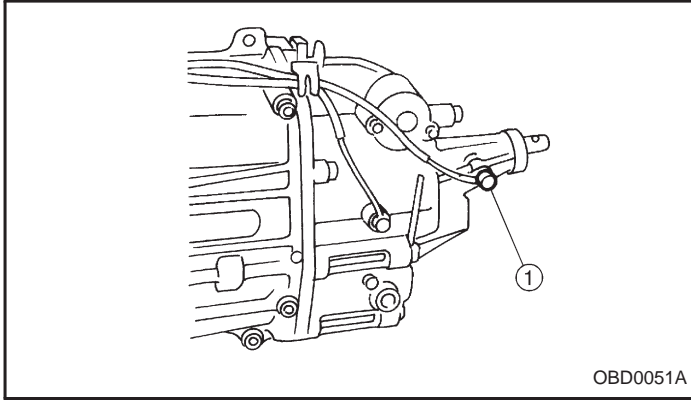
- ⑤ Shift solenoid valve 3
- ⑥ Duty solenoid valve A
- ⑦ Duty solenoid valve B



OBD0050A

- ⑧ Duty solenoid valve C (AWD models)

● For MT vehicles



① Neutral position switch (FWD models)

② Neutral position switch (AWD models)