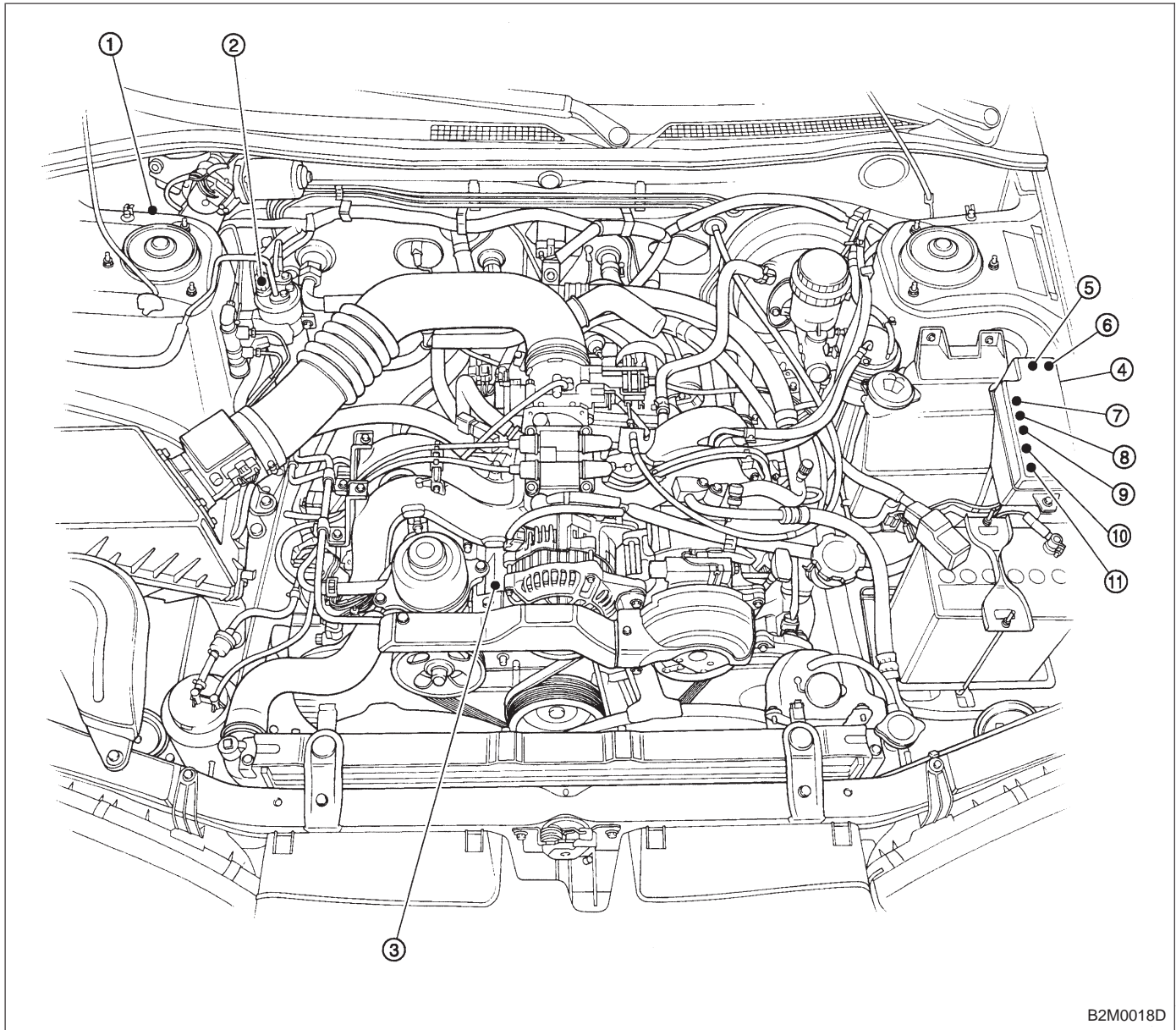


7. Electrical Unit Location

Electrical unit	Refer to;
A.B.S. control module	4-4a [T300]
A.B.S. G sensor (MT)	4-4a [T300]
A/C compressor relay	⑦
A/C fuse	⑪
A/C main fan relay 1	⑩
A/C main fan relay 2	⑧
A/C pressure switch	②
A/C sub fan relay 2	⑨
ATF temperature sensor	2-7 [T2B1]
Blower motor resistor	⑫
Blower relay	⑬
Camshaft position sensor	2-7 [T2A2]
Check connector	⑮
Clutch switch (MT)	6-2 [T300]
Crankshaft position sensor	2-7 [T2A2]
Cruise control module	6-2 [T300]
Cruise control pump	6-2 [T300]
Data link connector (for OBD-II G.S.T.)	2-7 [T2A1]
Data link connector (for S.S.M.)	2-7 [T2A1]
Diagnosis connector	4-4a [T300]
Diagnosis terminal (Ground)	4-4a [T300]
Door lock timer	⑰
Engine control module	2-7 [T2A1]
Engine coolant temperature sensor	2-7 [T2A2]
Engine hood switch (Security)	6-2 [K6A0]
Evaporator thermostwitch	⑲
F/B	⑮
FRESH/RECIRC actuator	⑳
Fuel pump relay	2-7 [T2A3]
Fuel gauge module	⑳
Fuel gauge sub module (AWD)	㉑
FWD switch (AT)	①
Headlight alarm relay (Security)	6-2 [K6A0]
Headlight relay LH	⑤
Headlight relay RH	⑥
Horn relay	⑭

Electrical unit	Refer to;
Hydraulic unit (A.B.S.)	4-4a [T300]
Ignition coil	2-7 [T2A3]
Ignitor	2-7 [T2A3]
Idle air control solenoid valve	2-7 [T2A3]
Illumination control module	㉒
Inhibitor switch	6-2 [T300]
Knock sensor	2-7 [T2A2]
Main fan relay	⑬
Main relay	2-7 [T2A3]
Mass air flow sensor	2-7 [T2A2]
Mode actuator	⑱
M/B	④
Oil pressure switch	③
Oxygen sensor	2-7 [T2A2]
Pedal stroke sensor (T.C.S.)	4-4b [T300]
Power window and sunroof relay	㉔
Power window circuit breaker	㉓
Purge control solenoid valve	2-7 [T2A3]
Rear defogger relay	⑰
Seat belt timer	㉕
Security control module	6-2 [K6A0]
Shift lock control module	㉖
Starter interrupt relay (Security)	6-2 [K6A0]
Stop & brake switch (With cruise control)	6-2 [T300]
Sunroof control module	㉗
Tail and illumination relay	⑱
T.C.S. control module	4-4b [T300]
T.C.S. motor relay	4-4b [T300]
T.C.S. valve relay	4-4b [T300]
Throttle position sensor	2-7 [T2A2]
Test mode connector	2-7 [T2A1]
Transmission control module	2-7 [T2B1]
Turn & hazard module	⑱
Vehicle speed sensor 1	2-7 [T2B1]
Vehicle speed sensor 2	2-7 [T2B1]

1. ENGINE ROOM

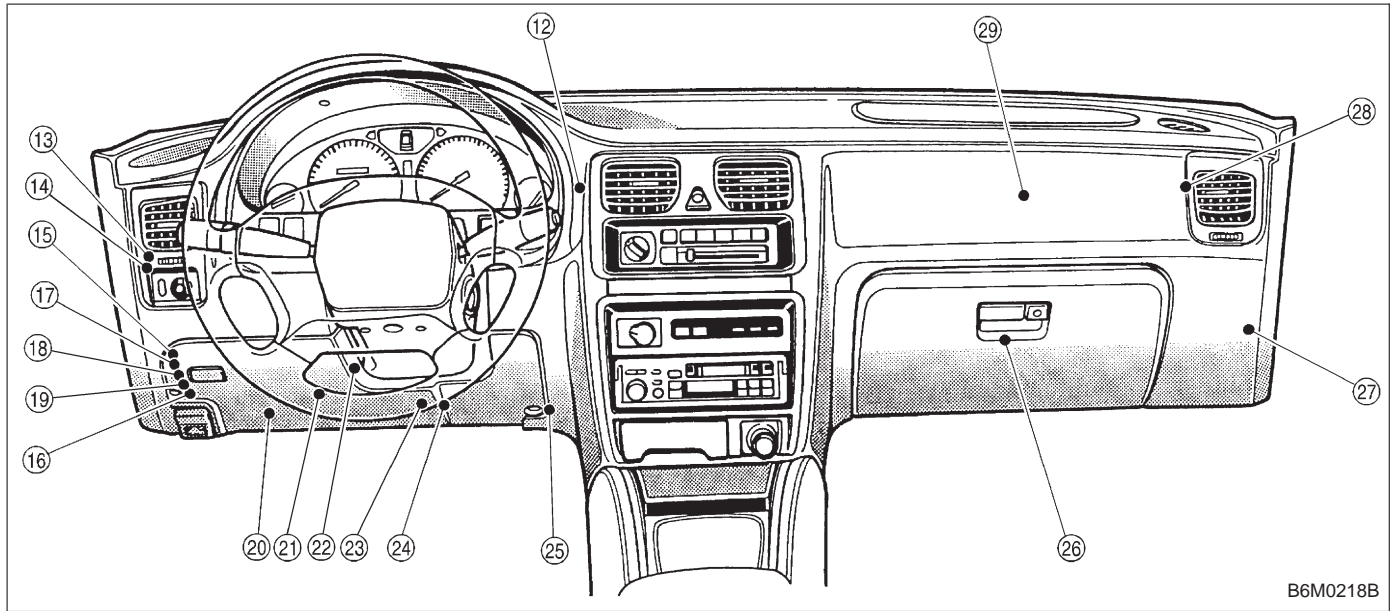


B2M0018D

- ① FWD switch (AT)
- ② A/C pressure switch
- ③ Oil pressure switch
- ④ M/B
- ⑤ Headlight relay LH
- ⑥ Headlight relay RH

- ⑦ A/C compressor relay
- ⑧ A/C main fan relay 2
- ⑨ A/C sub fan relay 2
- ⑩ A/C main fan relay 1
- ⑪ A/C fuse

2. INSTRUMENT PANEL

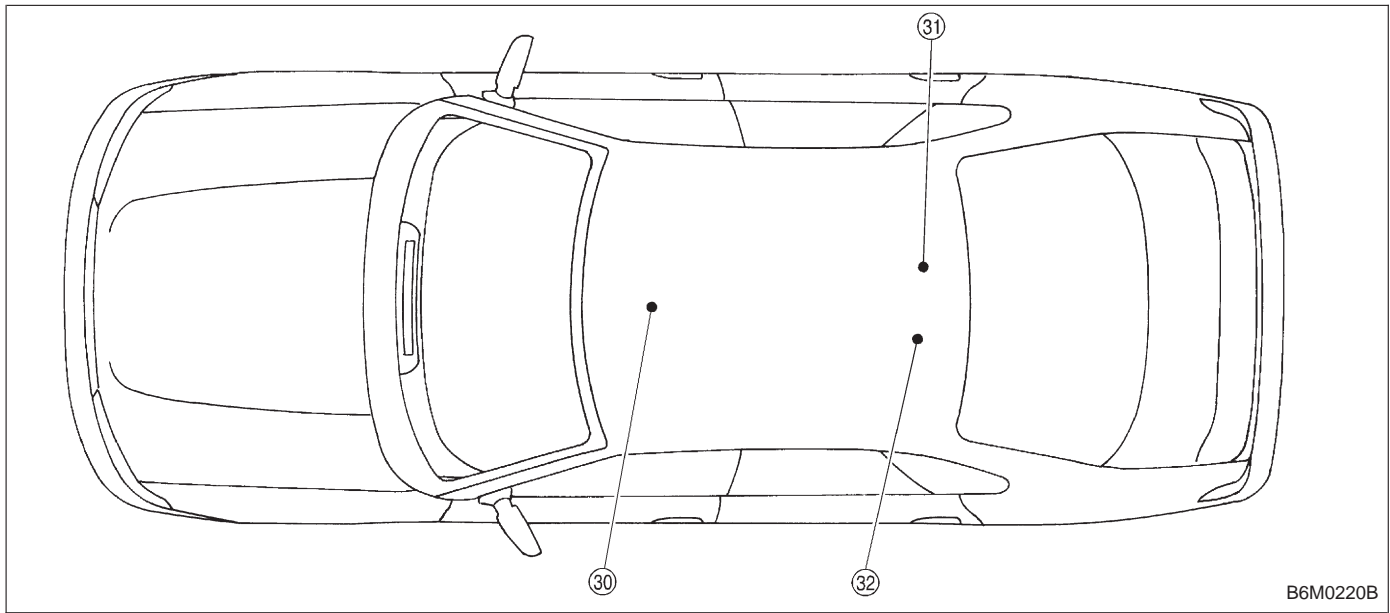


B6M0218B

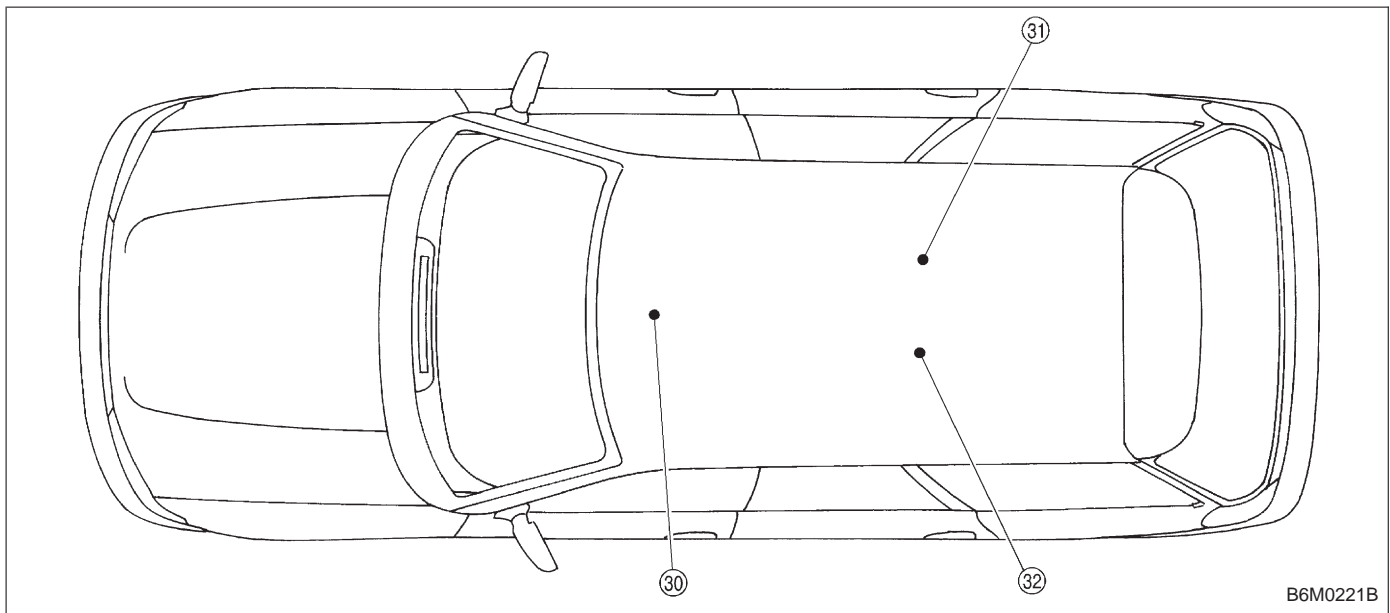
- | | |
|-----------------------------|--------------------------------|
| ⑫ Mode actuator | ⑳ Illumination control module |
| ⑬ Blower relay | ㉑ Shift lock control module |
| ⑭ Horn relay | ㉒ Power window circuit breaker |
| ⑮ F/B | ㉓ Power window & sunroof relay |
| ⑯ Turn & hazard module | ㉔ Check connector |
| ⑰ Rear defogger relay | ㉕ Blower motor resistor |
| ⑱ Tail & illumination relay | ㉖ Door lock timer |
| ⑲ Main fan relay | ㉗ FRESH/RECIRC actuator |
| ⑳ Seat belt timer | ㉘ Evaporator thermostwitch |

3. COMPARTMENT

● SEDAN



● WAGON



- ③① Sunroof control module
- ③① Fuel gauge module

- ③② Fuel gauge sub module (AWD)

7. Electrical Unit Location

