
Do not drive with your hand resting on the shift lever. This may cause wear on the transmission components.

When it is necessary to reduce vehicle speed due to slow traffic, turning corners, or driving up steep hills, downshift to a lower gear before the engine starts to labor.

On steep downgrades, downshift the transmission to 4th, 3rd or 2nd gear as necessary; this helps to maintain a safe speed and to extend brake pad life.

In this way, the engine provides a braking effect. Remember, if you "ride" (over use) the brakes while descending a hill, they may overheat and not work properly.

Automatic transmission

WARNING

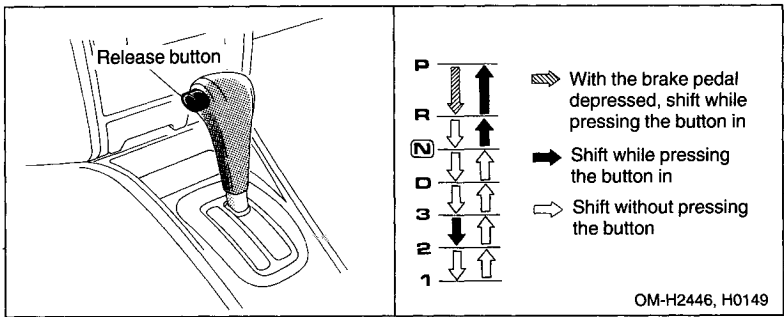
Do not shift from the "P" or "N" position into the "D", "3", "2", "1" or "R" position while depressing the accelerator pedal. This may cause the vehicle to jump forward or backward.

CAUTION

- Shift into the "P" or "R" position only after the vehicle is completely stopped. Shifting while the vehicle is moving may cause damage to the transmission.
- Do not race the engine for more than five seconds in any position except the "N" or "P" position when the brake is set or the tires are on blocks. This may cause the automatic transmission fluid to overheat.

The automatic transmission is an electronically controlled with 4-forward speeds and 1-reverse speed.

■ Selector lever



The selector lever has seven positions.

The release button must be pushed to select the "P", "R", or "2" positions.

▼ P (Park)

This position is for parking the vehicle and starting the engine.

When you park the vehicle, first set the parking brake fully, then shift into the "P" position. Do not hold the vehicle only with the transmission.

▼ R (Reverse)

This position is for backing the vehicle.

To shift from the "N" to "R" position, first stop the vehicle completely then move the lever to the "R" position while pushing the release button.

▼ N (Neutral)

This position is for restarting a stalled engine.

In this position the wheels and transmission are not locked. In this position, the transmission is neutral.

▼ D (Drive)

This position is for normal driving.

The transmission automatically shifts into a suitable gear from 1st to 4th according to the vehicle speed and the acceleration you require.

– CONTINUED –

When more acceleration is required in this position, press the accelerator pedal fully to the floor and hold that position. The transmission will automatically downshift to 3rd, 2nd or 1st gear. When you release the pedal, the transmission will return to the original gear position.

▼ 3 (Third)

This position is for using engine braking when going down a hill or for climbing a grade.

The transmission automatically shifts into a suitable gear from 1st to 3rd according to the vehicle speed and the acceleration you require.

When more acceleration is required in this position, press the accelerator pedal fully to the floor and hold that position. The transmission will automatically downshift to 2nd or 1st gear. When you release the pedal, the transmission will return to the original gear position.

▼ 2 (Second)

To shift from the "3" to "2" position, push the release button.

This position is for using engine braking when going down a hill or for climbing a steep grade.

In this position, the transmission holds in the 2nd gear.

▼ 1 (First)

This position is for driving up or down very steep grades, or driving through mud or sand, or on slippery surfaces. In this position, the transmission holds in the 1st gear.

■ Maximum speeds

Never drive with the tachometer needle in the critical engine speed range except for brief acceleration in an emergency.

■ Driving tips

- Always apply the foot or parking brake when the vehicle is stopped in the "D", "3", "2", "1", or "R" position.
- Always set the parking brake when parking your vehicle. Do not hold the vehicle only with the transmission.

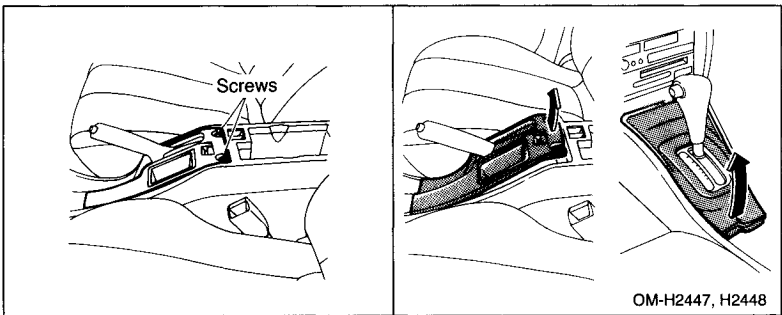
- Never shift into the "D", "3", "2" or "1" position while backing the vehicle.
- Do not keep the vehicle in a stationary position on an uphill grade by using the "D", "3", "2" or "1" position. Use the brake instead.

■ **Shift lock release**

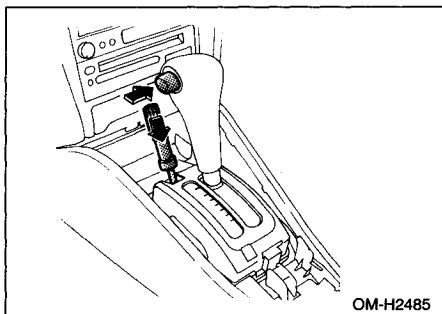
If the selector lever does not move from the "P" position with the brake pedal depressed and the release button pushed in, perform the following steps:

To override the shift lock:

1. Set the parking brake and stop the engine.



2. Open the center console and remove two screws securing the parking brake lever cover.
3. Remove the parking brake lever cover by pulling up on the cover's rear end.
4. Remove the selector lever cover by pulling up the cover's rear end.



5. Insert the phillips screwdriver into the hole.
6. Push down on the screwdriver while pushing the release button and move the selector lever from the "P" to the "N" position.
7. Remove the screwdriver from the hole. Depress the brake pedal and start the engine.

Take your vehicle to the nearest SUBARU dealer immediately to have the system repaired.

Driving an all wheel drive vehicle

WARNING

- Always maintain a safe driving speed according to the road and weather conditions in order to avoid having an accident on a sharp turn, during sudden braking or under other similar conditions.
- Always use the utmost care in driving – overconfidence because you are driving an all wheel drive vehicle could easily lead to a serious accident.