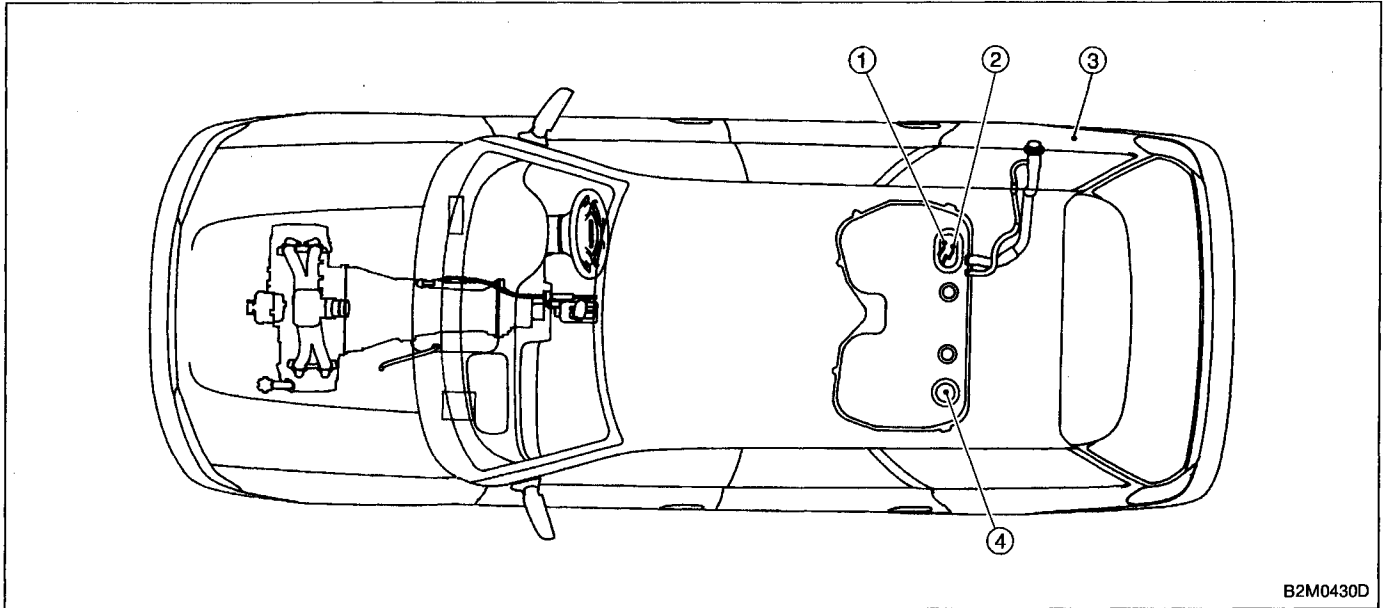


2. Electrical Components Location

A: ENGINE

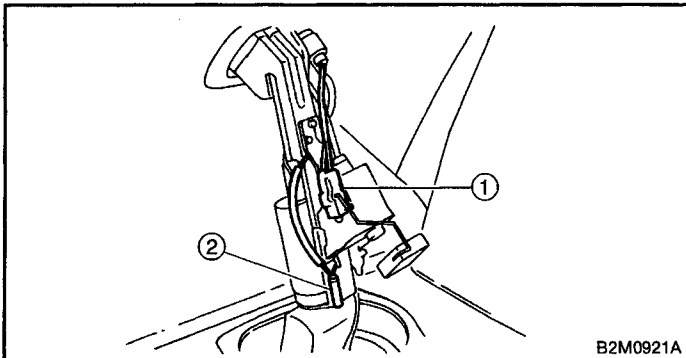
2. SENSOR



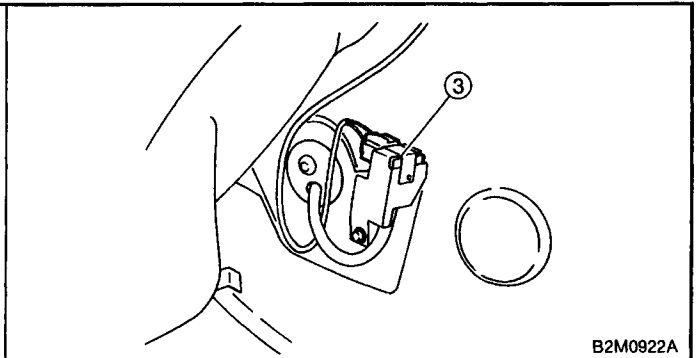
B2M0430D

- ① Fuel level sensor
- ② Fuel temperature sensor

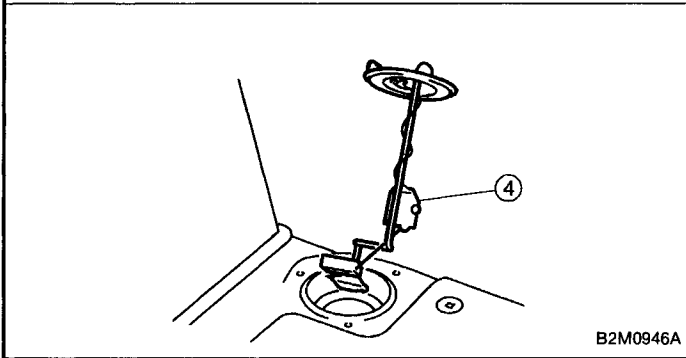
- ③ Fuel tank pressure sensor
- ④ Fuel sub level sensor



B2M0921A

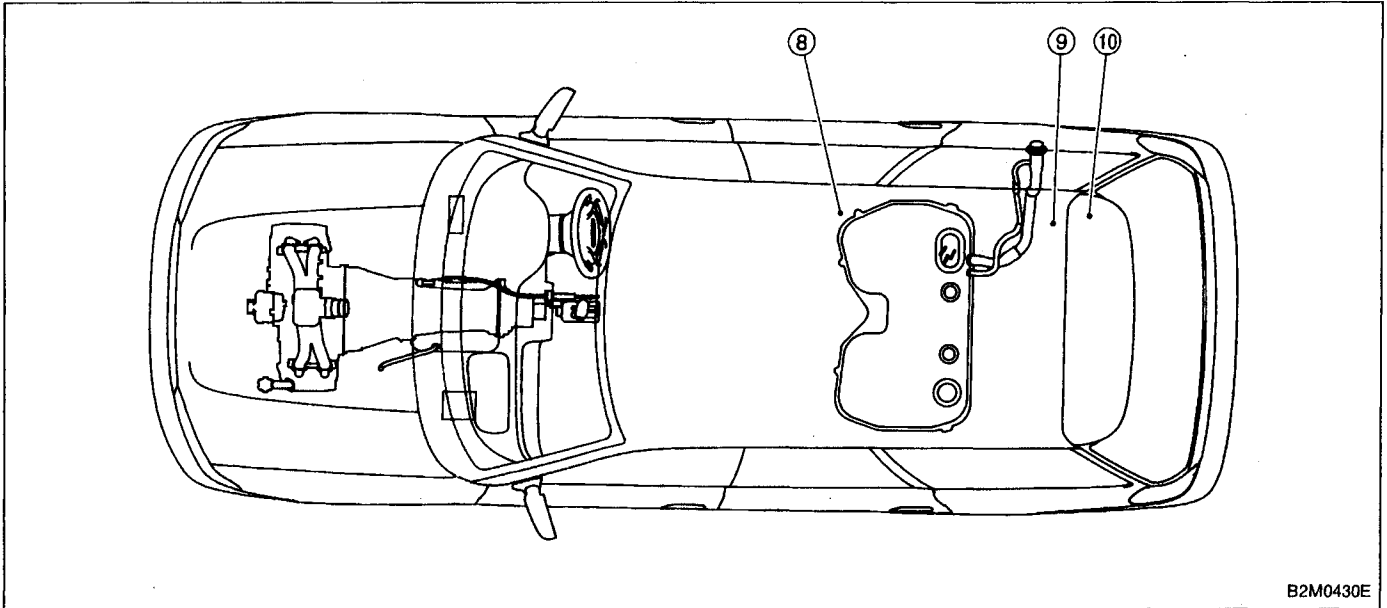


B2M0922A



B2M0946A

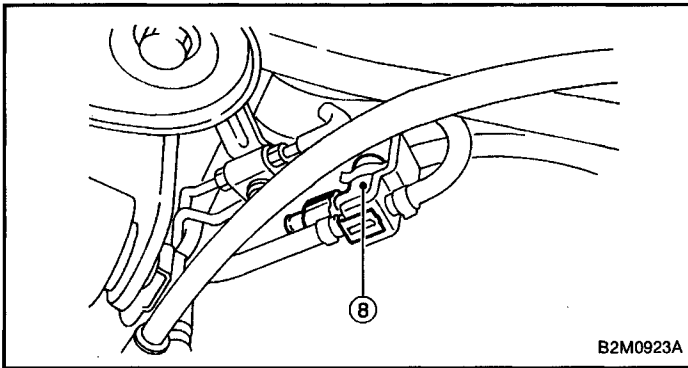
3. SOLENOID VALVE, EMISSION CONTROL SYSTEM PARTS AND IGNITION SYSTEM PARTS



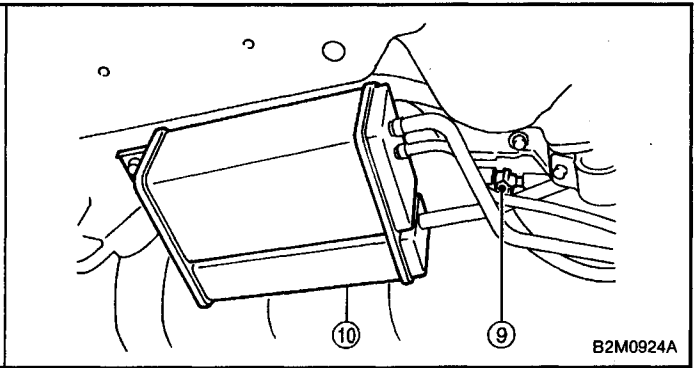
B2M0430E

- ⑧ Pressure control solenoid valve
- ⑨ Vent control solenoid valve

- ⑩ Canister



B2M0923A



B2M0924A