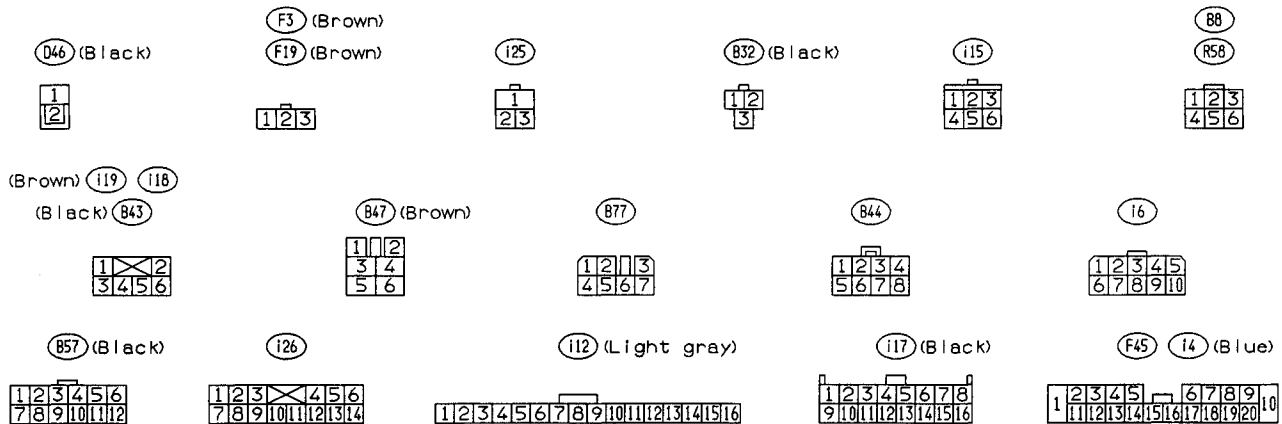
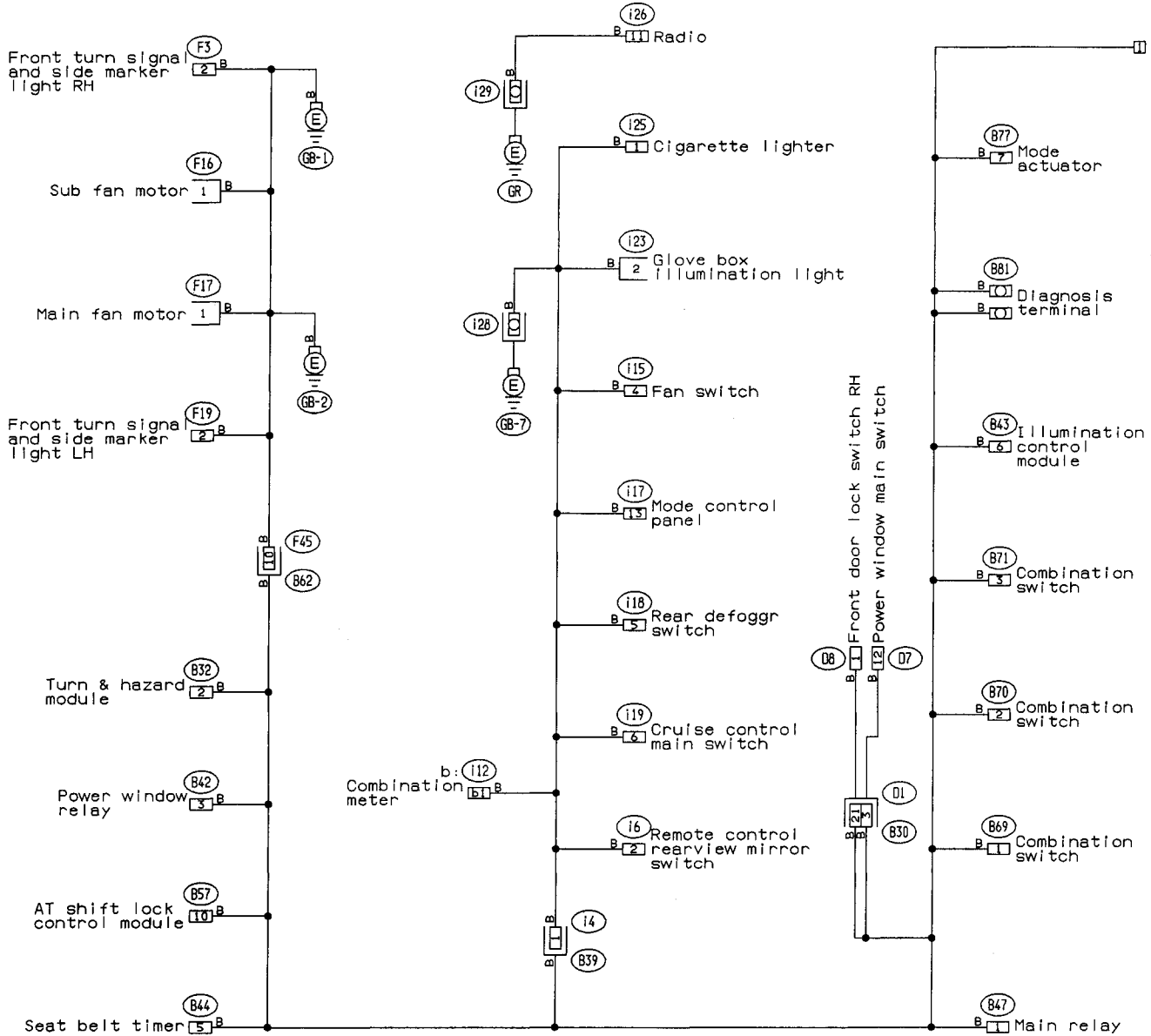
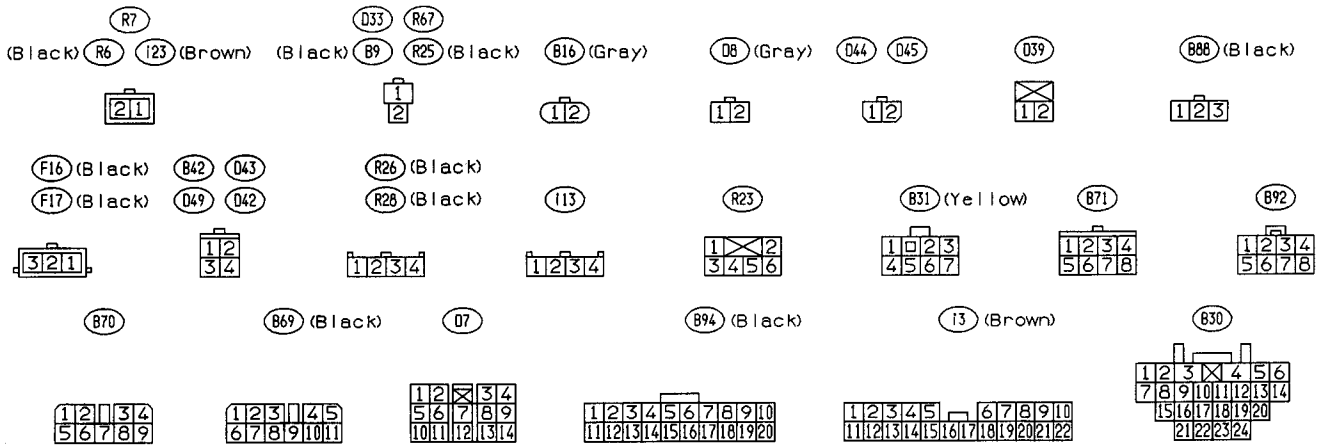
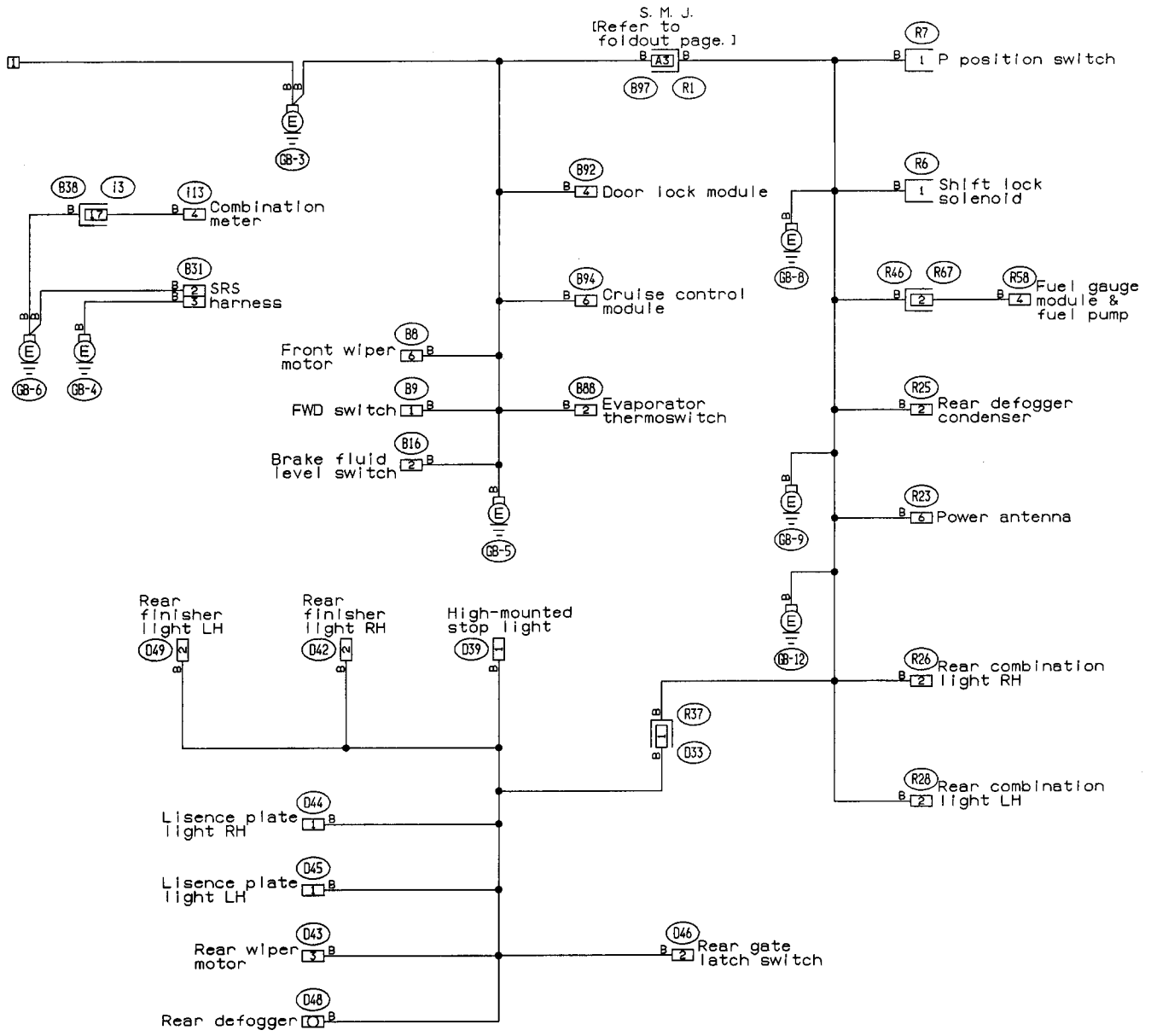


6. Wiring Diagram  
2. GROUND DISTRIBUTION



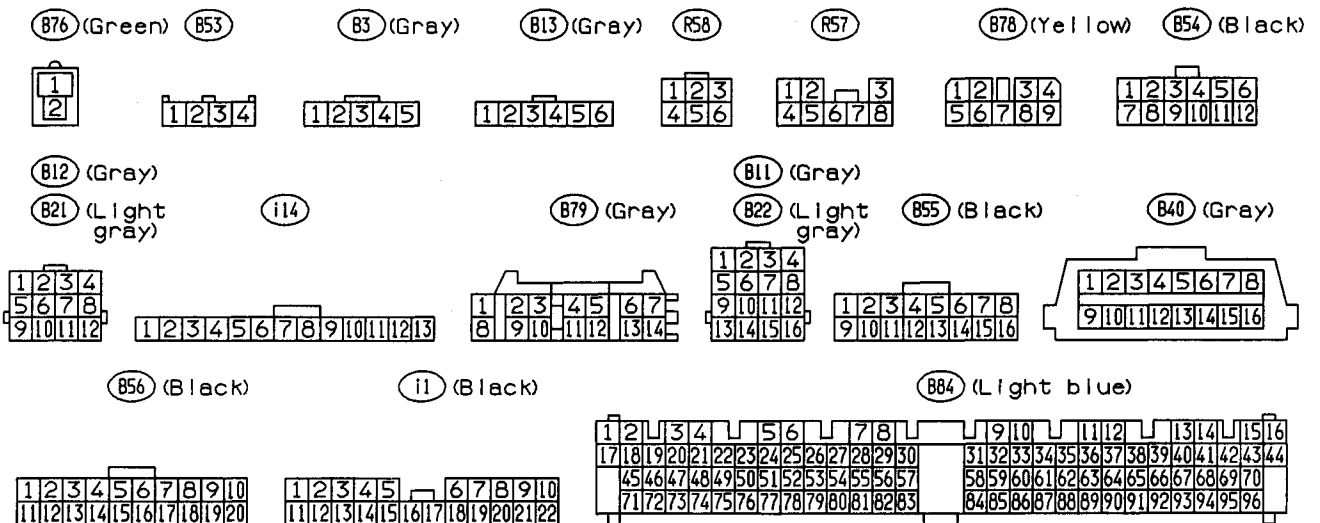
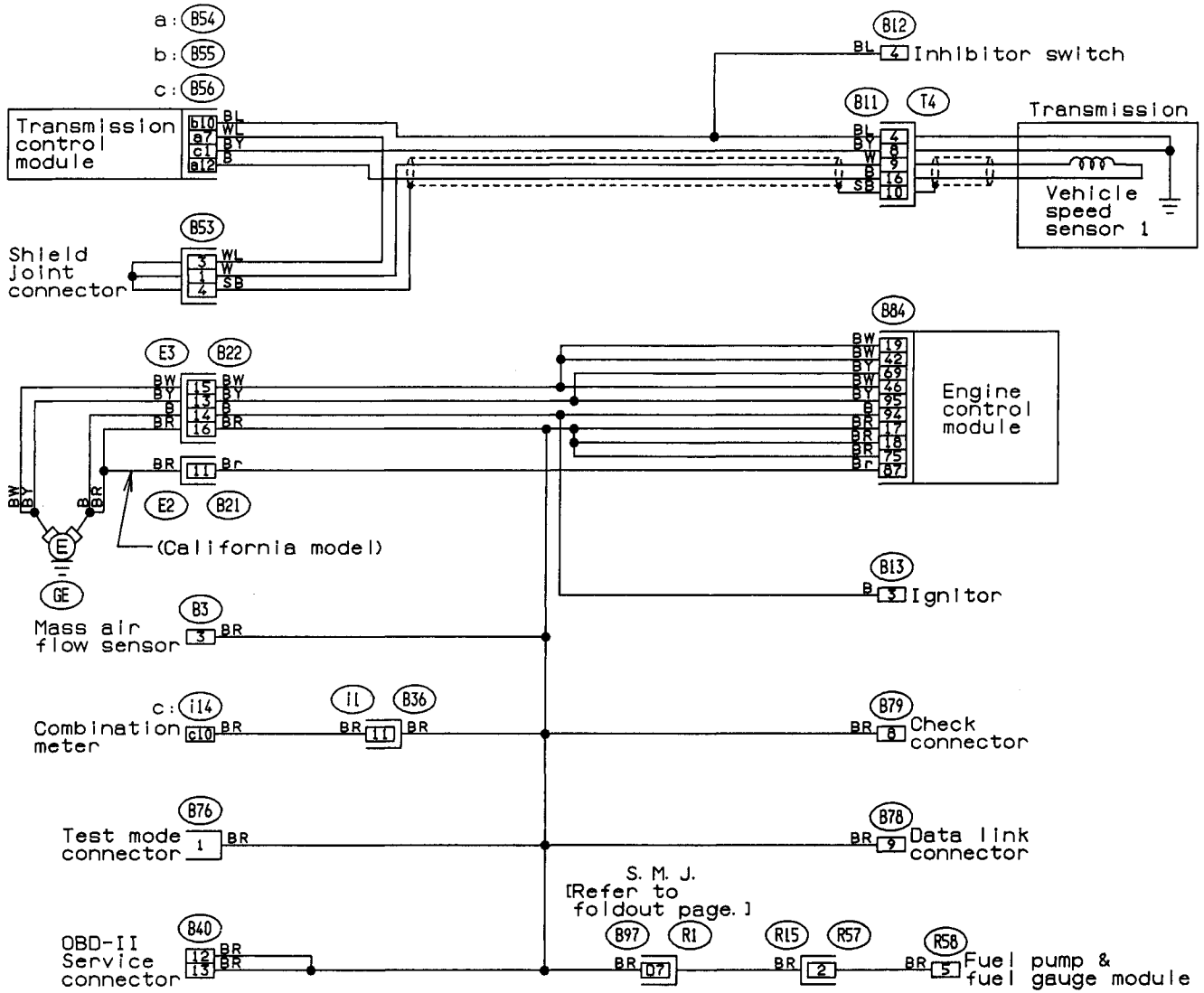
# WIRING DIAGRAM

[D602] 6-3  
6. Wiring Diagram

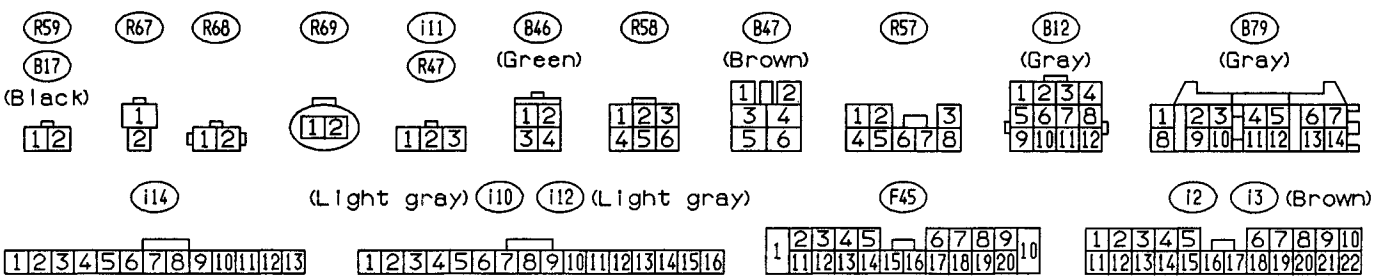
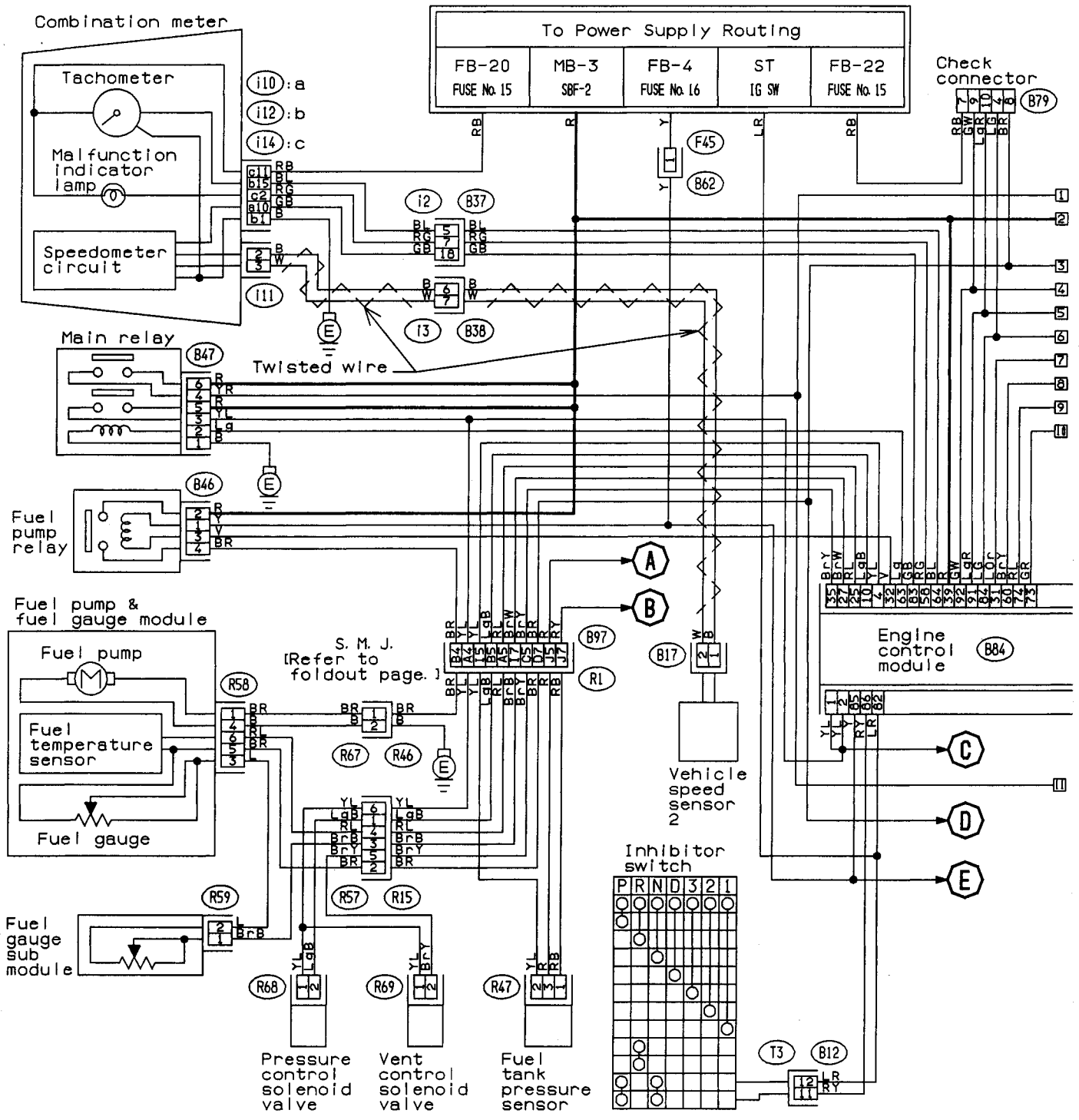


BUR04-03B

# WIRING DIAGRAM

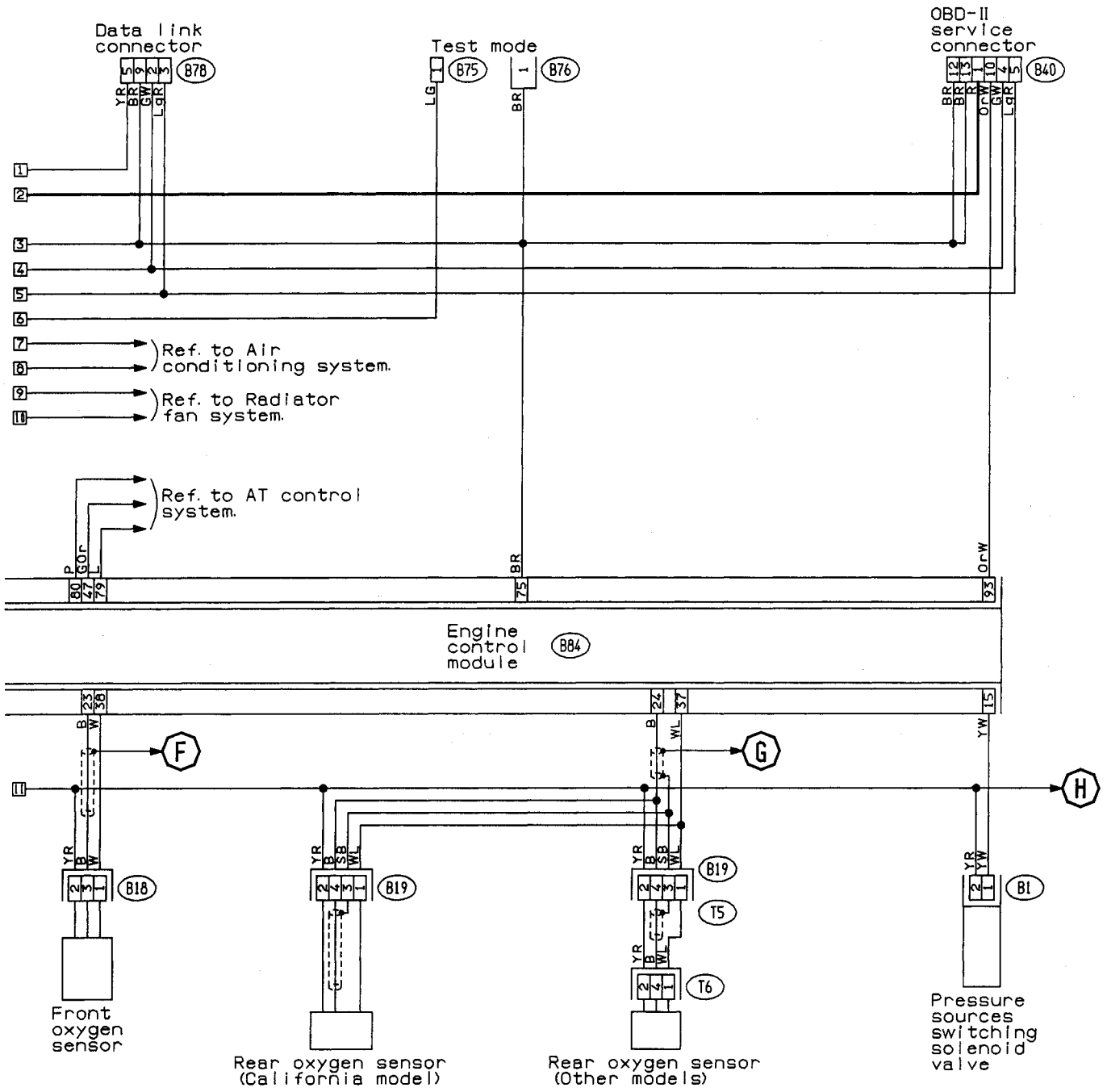


13. ENGINE ELECTRICAL SYSTEM



# WIRING DIAGRAM

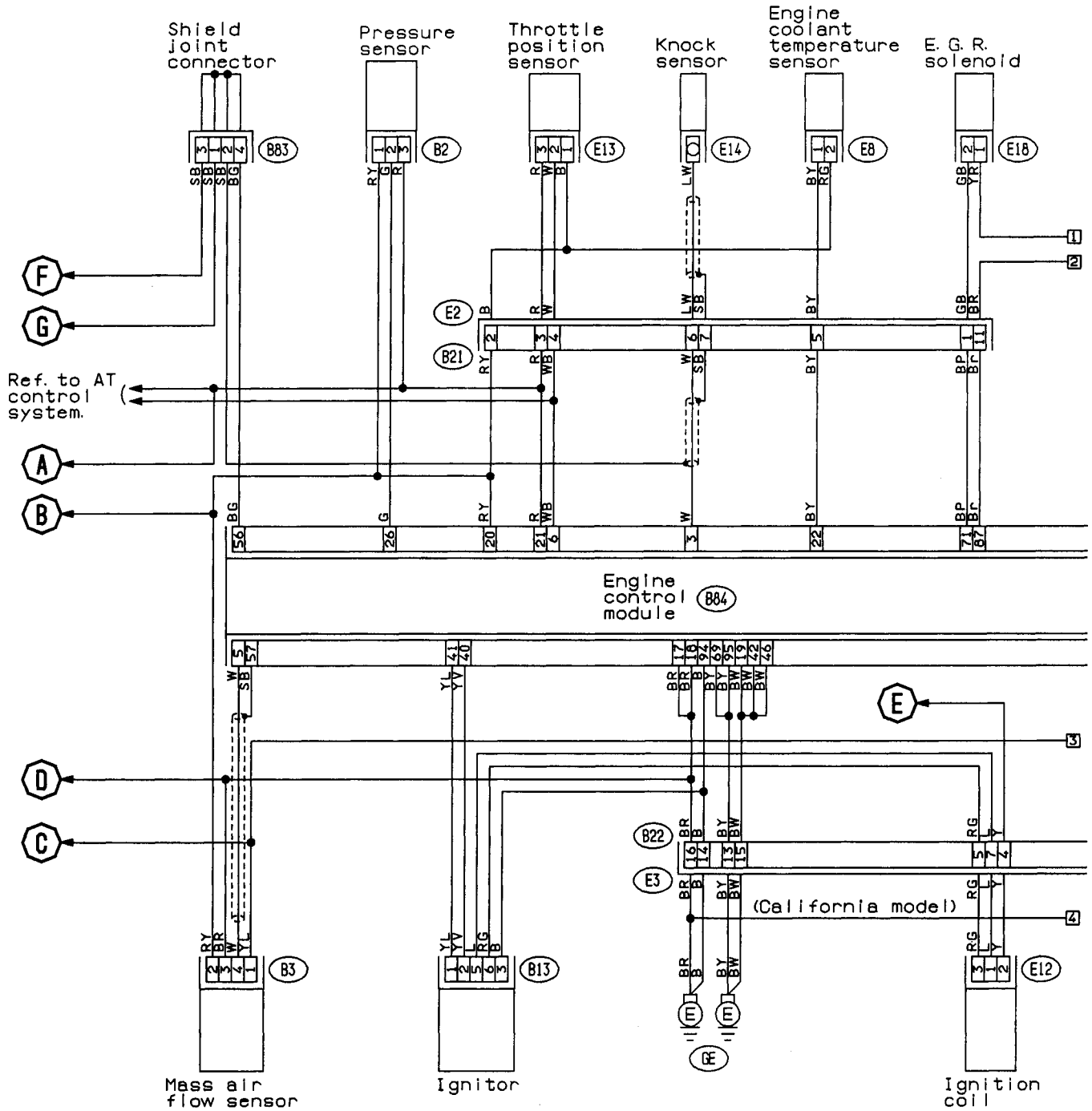
[D6013] 6-3  
6. Wiring Diagram



(B75) (Green)
(B76) (Green)
(B1) (Brown)
(B18) (Dark gray)
(Gray) (T6) (B19)

(B78) (Yellow)
(B40) (Gray)
(B84) (Light blue)

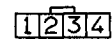
# WIRING DIAGRAM



(Brown) (E18) (Brown) (Black) (B2) (E13) (Brown)

(E12) (Gray)

(B83)

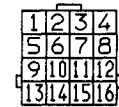
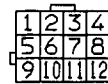
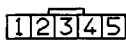


(B3) (Gray)

(B13) (Gray)

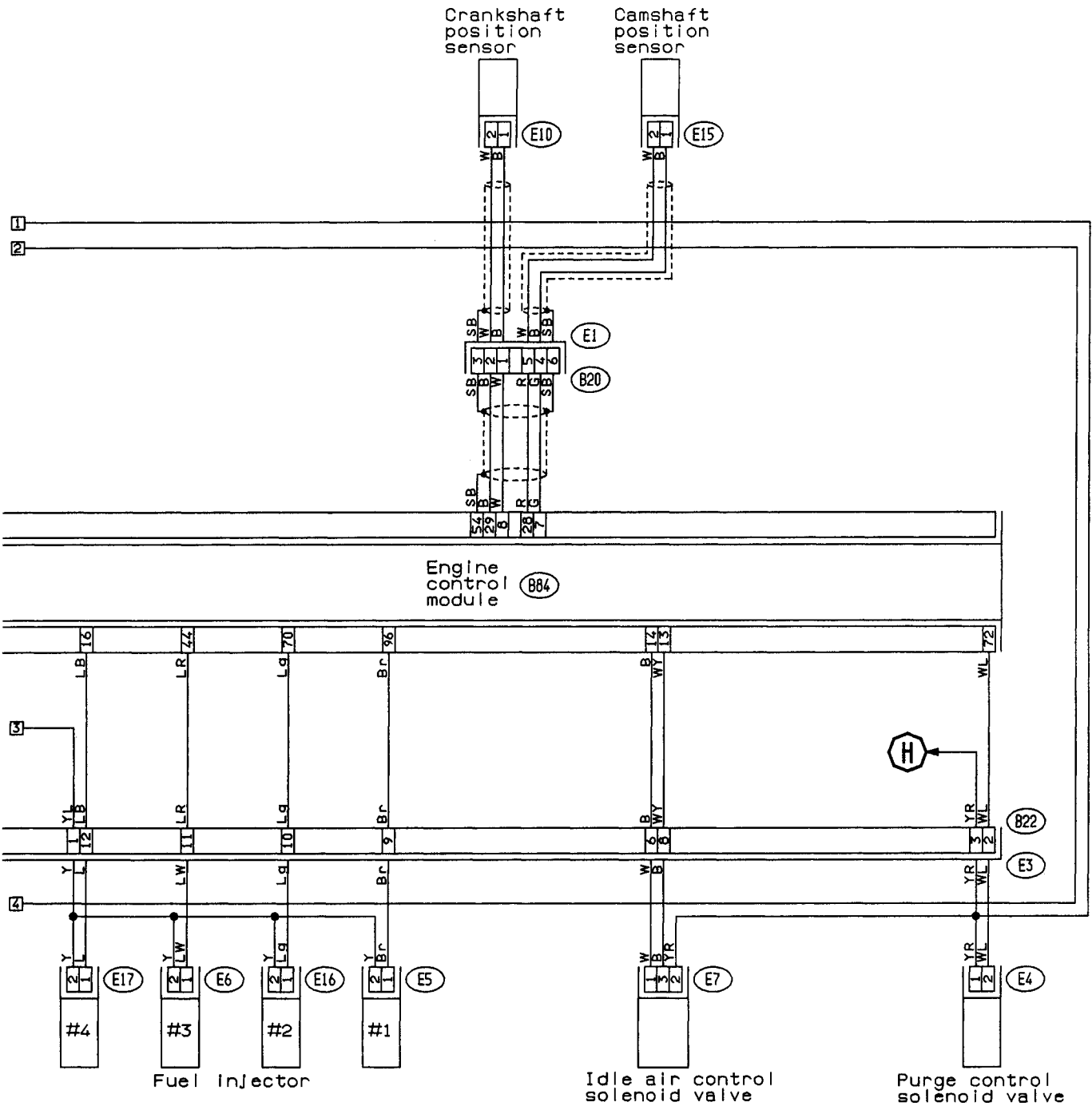
(B21) (Light gray)

(B22) (Light gray)



# WIRING DIAGRAM

[D6013] 6-3  
6. Wiring Diagram



(E15) (Dark gray) (Light gray) (E5) (E16) (Light gray)  
 (E10) (Gray) (Dark gray) (E6) (E17) (Dark gray)



(B84) (Light blue)

(E4) (Blue)

(E7) (Gray)

(B20) (Light gray)



1	2	3	4	5	6	7	8	9	10	11	12	13	14	15	16																																				
17	18	19	20	21	22	23	24	25	26	27	28	29	30	31	32	33	34	35	36	37	38	39	40	41	42	43	44																								
45	46	47	48	49	50	51	52	53	54	55	56	57	58	59	60	61	62	63	64	65	66	67	68	69	70	71	72	73	74	75	76	77	78	79	80	81	82	83	84	85	86	87	88	89	90	91	92	93	94	95	96

16. FUEL GAUGE SYSTEM

