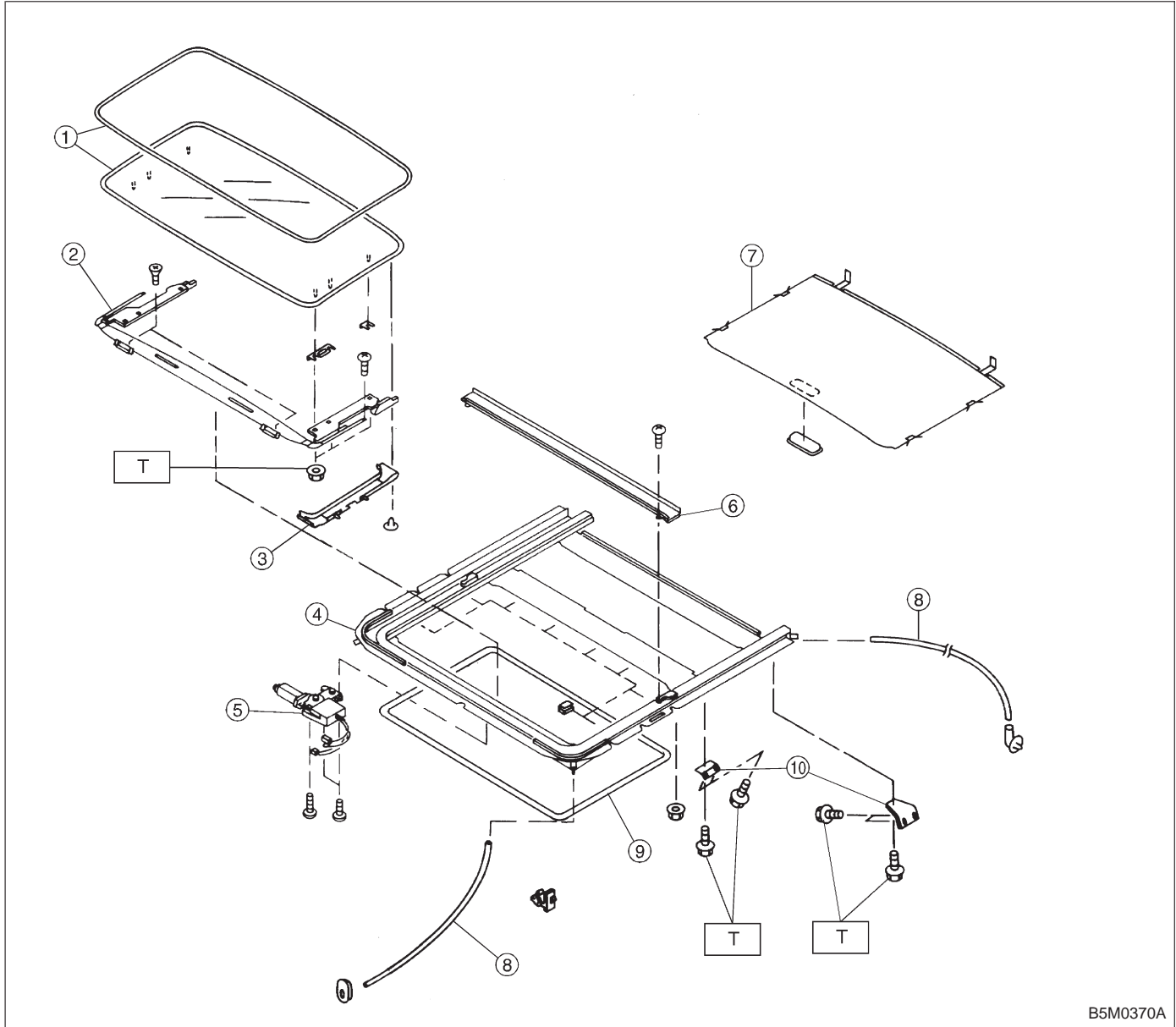


6. Sunroof



- ① Glass lid ASSY
- ② Deflector and guide rail ASSY
- ③ Guide rail cover
- ④ Frame ASSY
- ⑤ Motor ASSY
- ⑥ Drain ASSY
- ⑦ Sun shade
- ⑧ Drain tube
- ⑨ Garnish
- ⑩ Set bracket

Tightening torque: N·m (kg·m, ft·lb)
T: 7.4±2.0 (0.75±0.2, 5.4±1.4)
