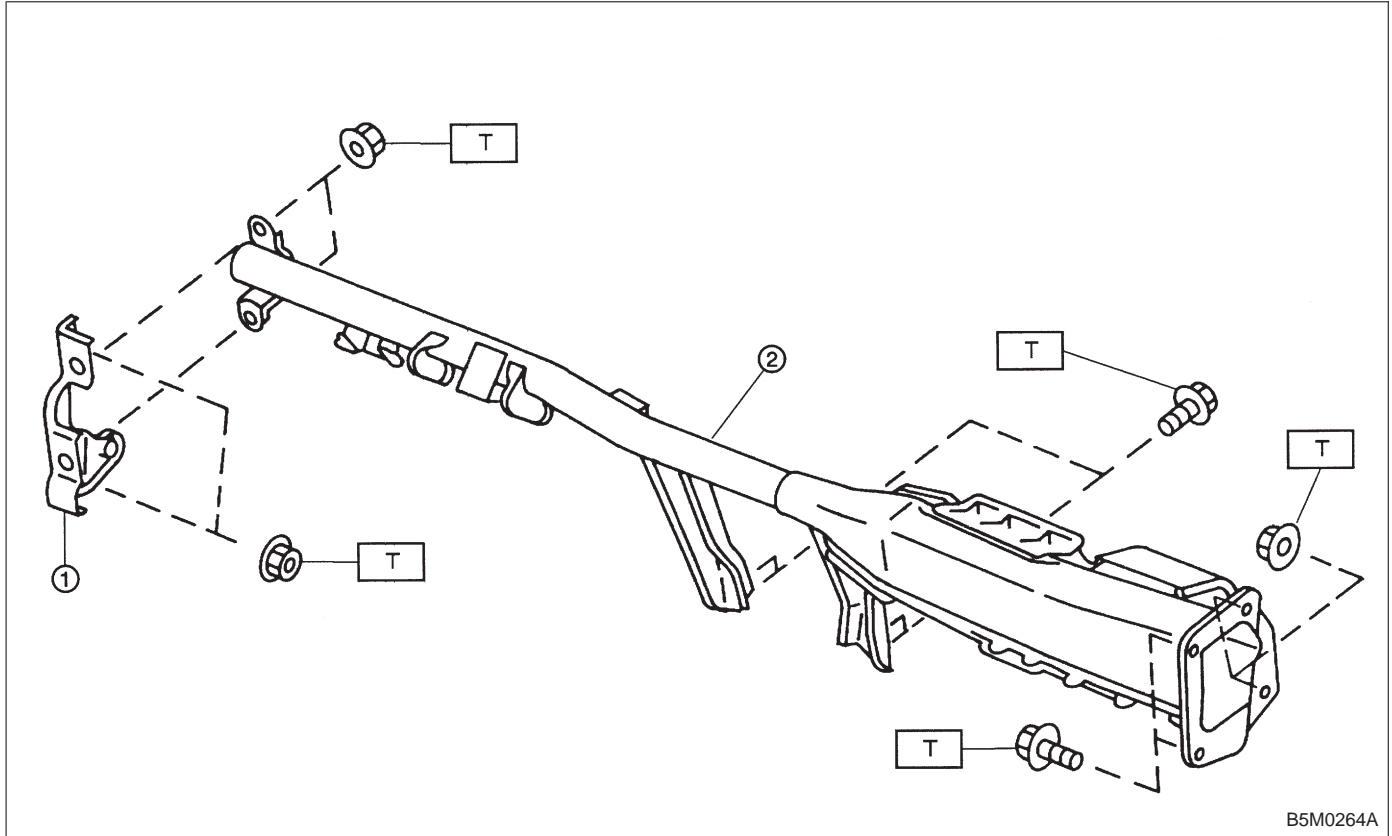


7. Steering Support Beam



B5M0264A

- ① Bracket
- ② Steering beam

Tightening torque: N·m (kg·m, ft·lb)
T: 32±10 (3.3±1.0, 23.9±7)