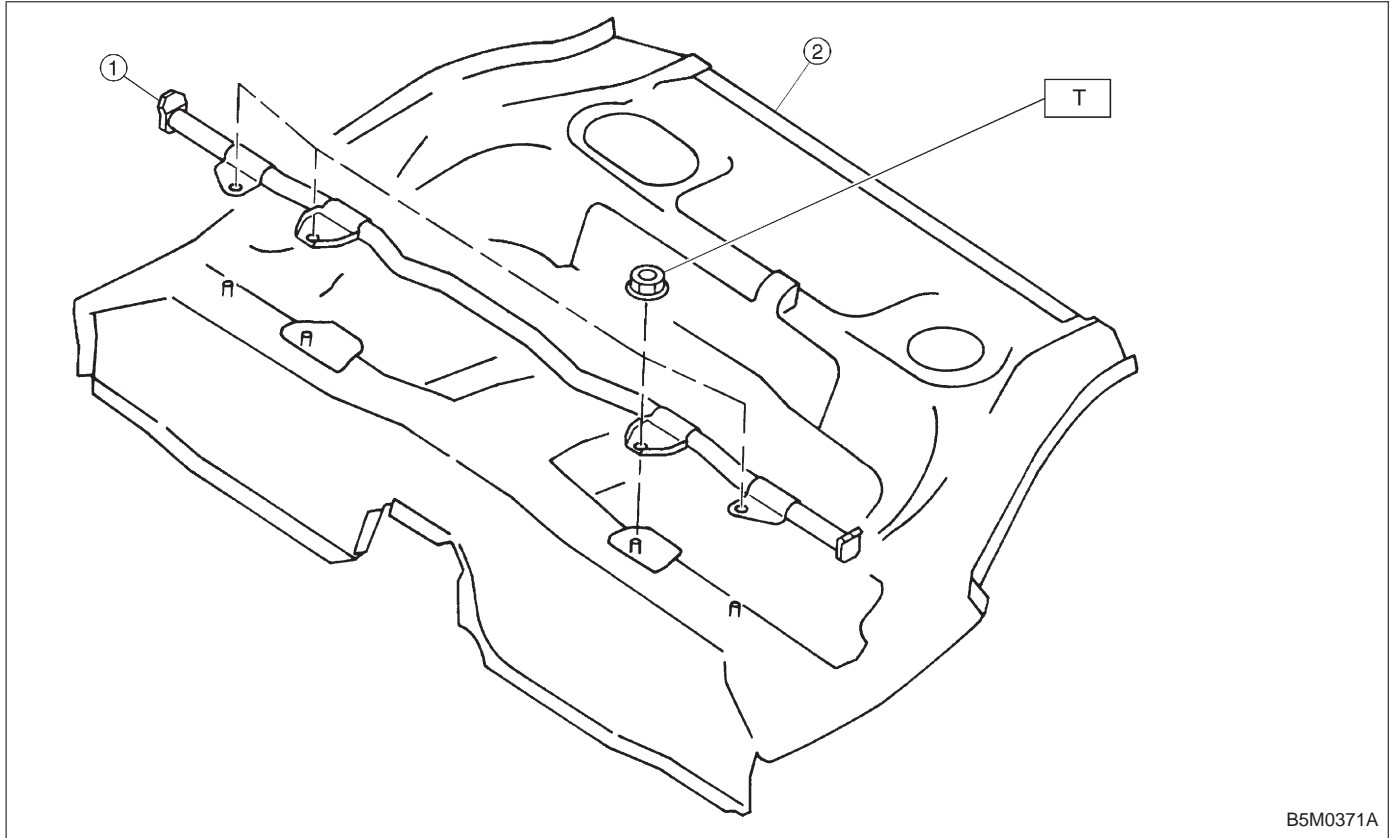


### 8. Guard Pipe



B5M0371A

- ① Guard pipe
- ② Rear floor panel

---

**Tightening torque: N·m (kg·m, ft·lb)**  
**T: 32±10 (3.3±1.0, 23.9±7)**

---