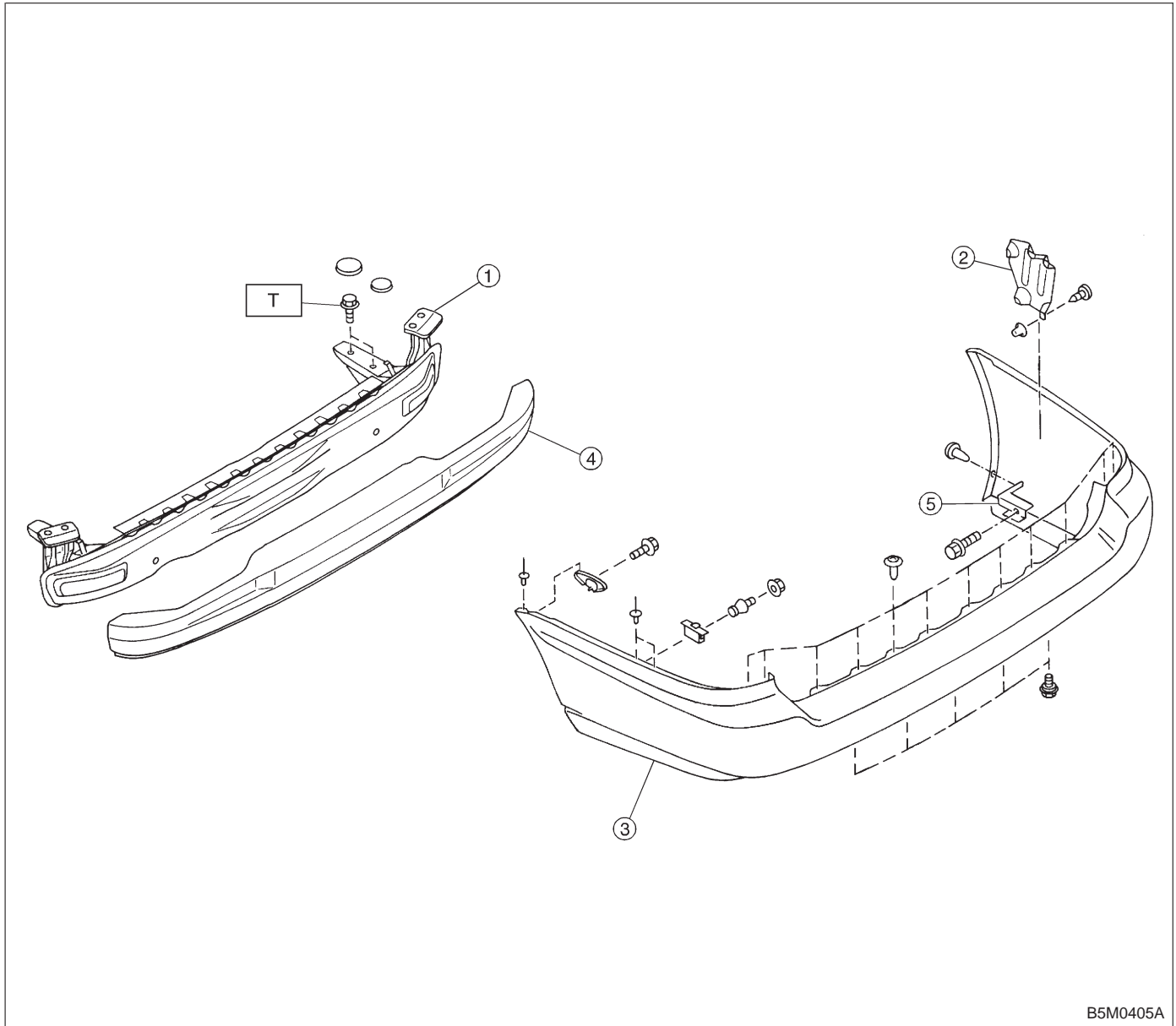


10. Rear Bumper (Outback with step roof)



- ① Bumper beam
- ② Bracket (Side)
- ③ Bumper surface
- ④ E-A foam (Rear)
- ⑤ Lower bracket (Side)

Tightening torque: N·m (kg·m, ft·lb)
T: 93±25 (9.5±2.5, 69±18)