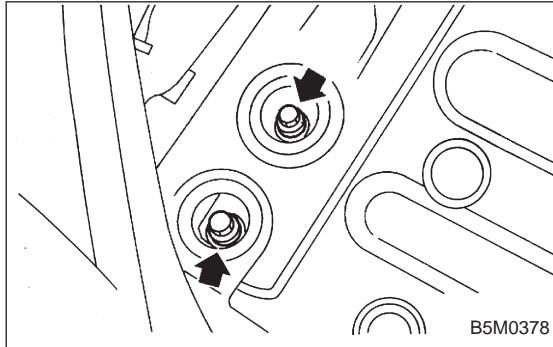


5. Rear Bumper

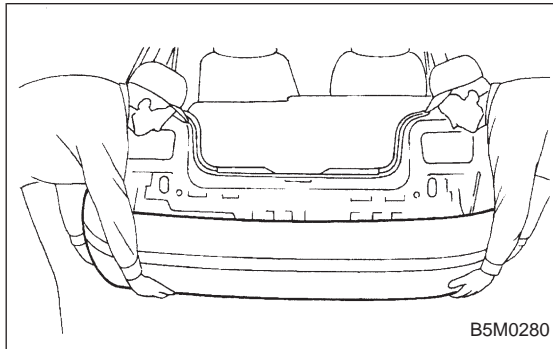
A: REMOVAL

1. SEDAN

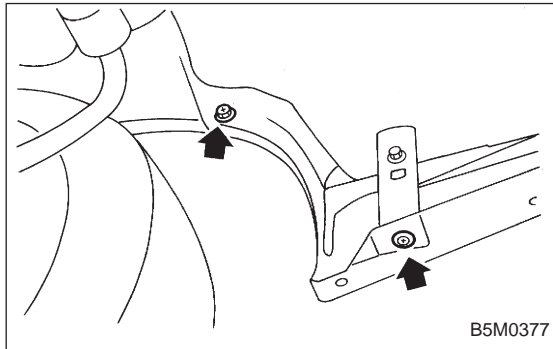
- 1) Remove one bolt and one clip from side of bumper.
- 2) Open trunk lid. Remove trunk trim panel clips and detach trim.



- 3) Remove rear bumper beam (upper) attaching nut.
- 4) Remove bolts from bumper stays.

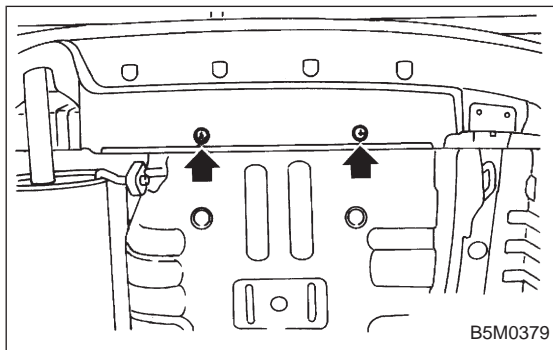


- 5) Remove rear bumper assembly.

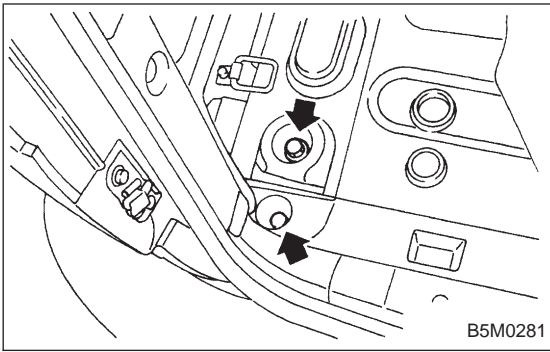


2. WAGON

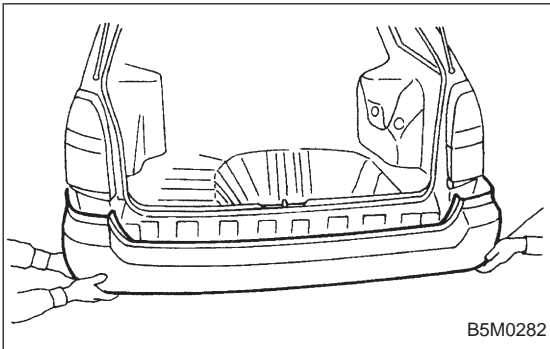
- 1) Remove one bolt and one clip from side of bumper.
- 2) Open rear gate. Remove rear quarter trim lid.



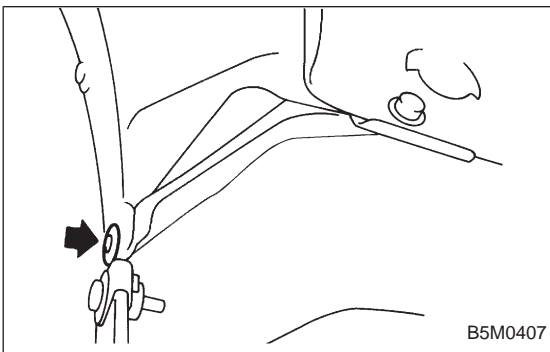
- 3) Remove two clips from lower center of bumper.



4) Remove bolts from bumper stays.

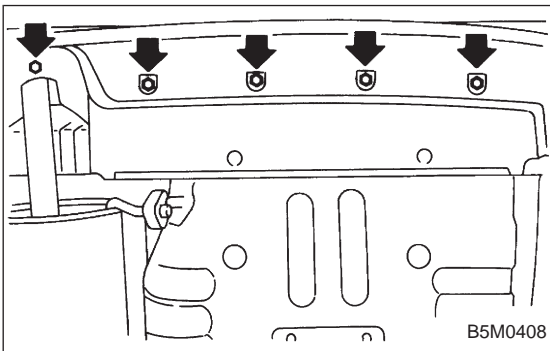


5) Remove rear bumper assembly.

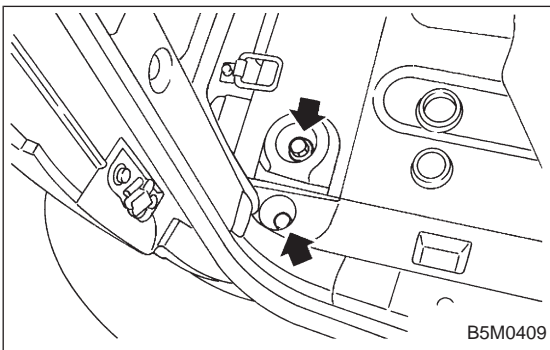


3. OUTBACK WITH STEP ROOF

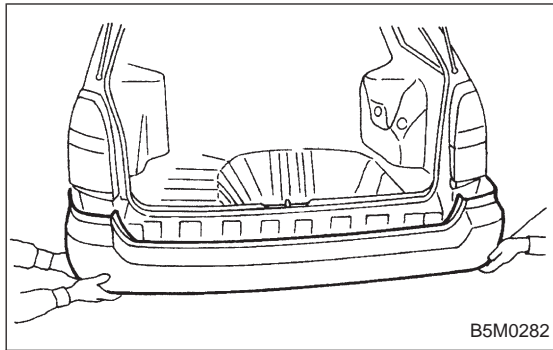
- 1) Remove one clip from side of bumper.
- 2) Open rear gate and remove rear quarter trim lid.



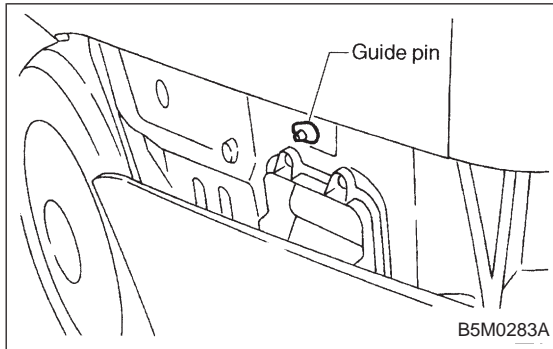
3) Remove five bolts from lower center of bumper.



4) Remove bolts from bumper stays.



5) Remove rear bumper assembly.



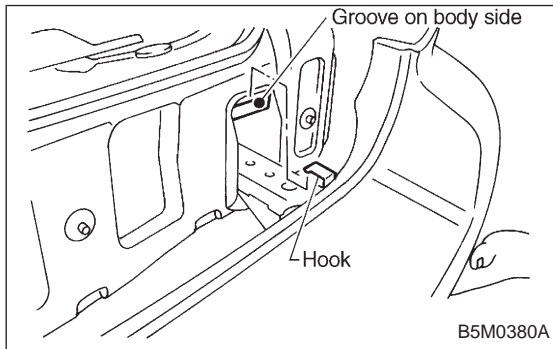
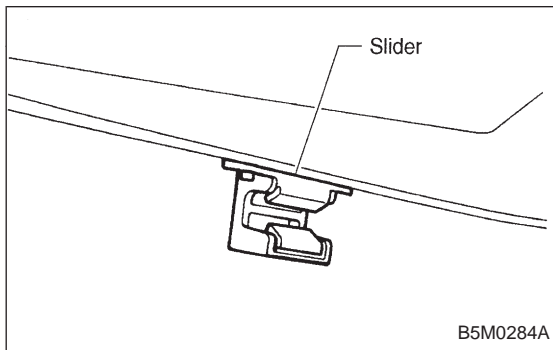
B: INSTALLATION

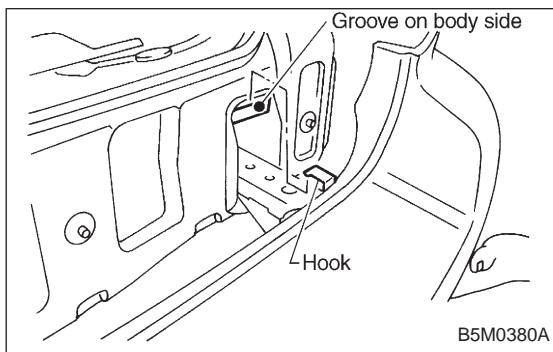
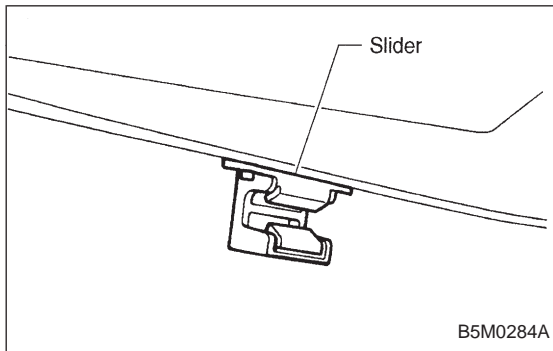
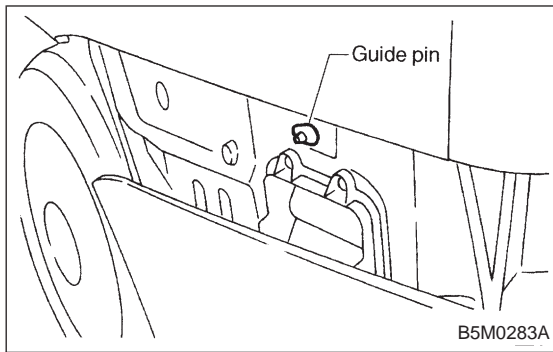
1. EXCEPT OUTBACK WITH STEP ROOF

To install the rear bumper, reverse the above removal procedures.

CAUTION:

- Be extremely careful to prevent scratches on bumper face as it is made of resin.
- Be careful not to scratch the body when removing or installing bumper.
- To facilitate installation of rear bumper, attach slider to the guide pin.
- To facilitate installation of rear bumper, insert the bumper hook into the body groove.





2. OUTBACK WITH STEP ROOF

To install the rear bumper, reverse the above removal procedures.

CAUTION:

- Be extremely careful to prevent scratches on bumper face as it is made of resin.
- Be careful not to scratch the body when removing or installing bumper.
- To facilitate installation of rear bumper, attach slider to the guide pin.
- To facilitate installation of rear bumper, insert the bumper hook into the body groove.