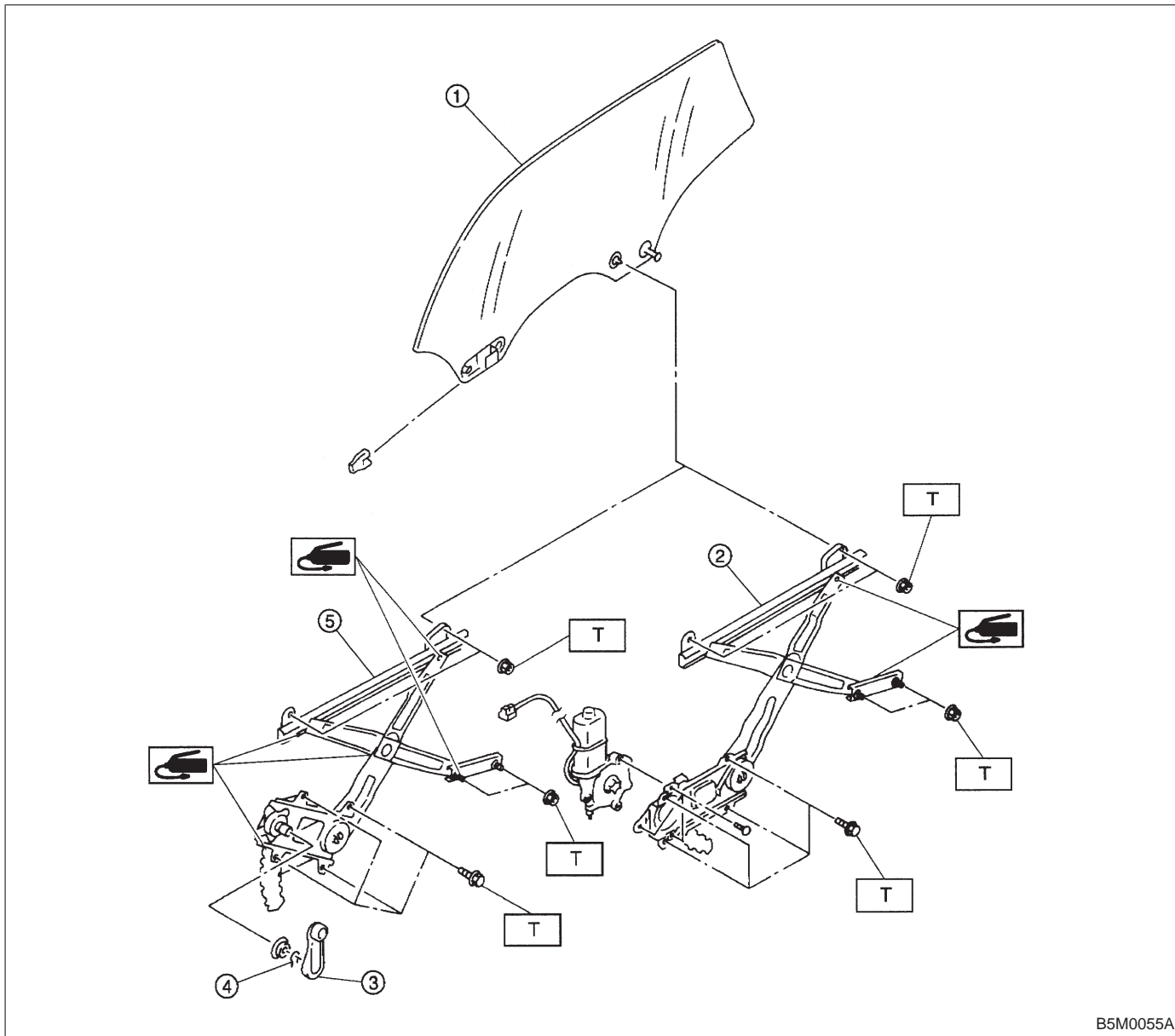


4. Rear Door Glass



- ① Glass
- ② Regulator and motor ASSY
- ③ Regulator handle (Except power window)
- ④ Retainer spring
- ⑤ Regulator ASSY

Tightening torque: N·m (kg·m, ft·lb)
T: 7.4±2.0 (0.75±0.2, 5.4±1.4)