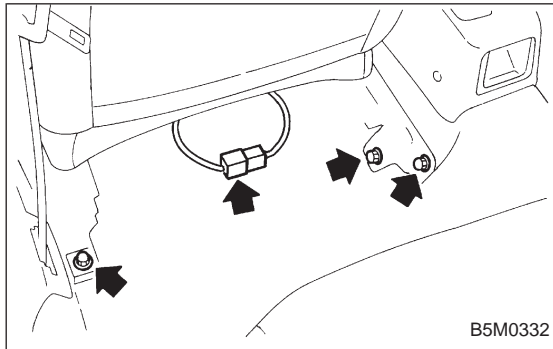


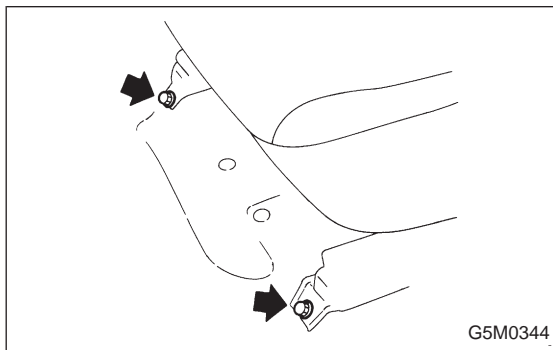
## 1. Front Seat

### A: REMOVAL

- 1) While operating knob (located on top of backrest), lift headrest out with hand placed between backrest and headrest.
- 2) Pull reclining lever back to fold backrest all the way forward. While pulling slide adjuster lever, move seat all the way forward.



- 3) Disconnect connector under driver's seat.
- 4) Remove bolt cover at rear end of slide rail.
- 5) Remove bolts securing seat rear.

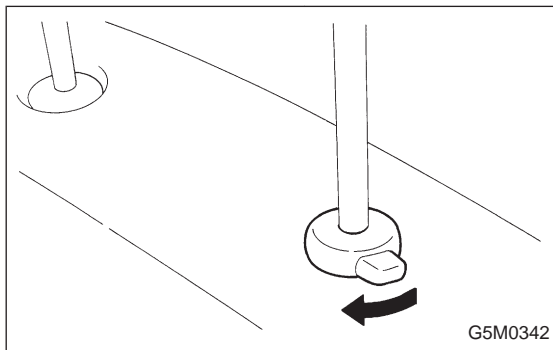


- 6) While pulling slide adjuster lever, slide seat all the way back.
- 7) Remove bolts securing front of seat.

- 8) Remove front seat from vehicle, then install headrest.

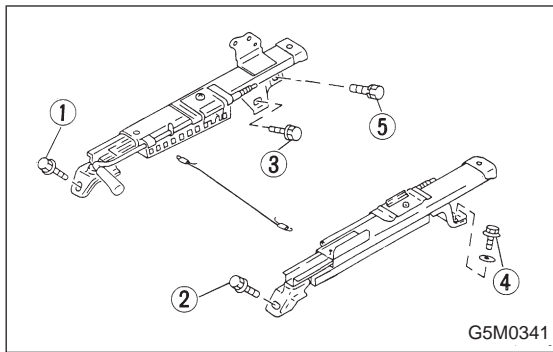
### CAUTION:

**Be careful not to scratch seat when removing it from vehicle.**



### B: INSTALLATION

- 1) While operating knob (located on top of backrest), lift headrest out with hand placed between backrest and headrest.
- 2) Pull reclining lever back to fold backrest all the way forward. Pull slide adjuster lever and move lower slide rail all the way backward.



- 3) Position seat in compartment and align the holes on the seat with the holes on the vehicle body side.
- 4) Secure the front of seat using inward and outward bolts ① and ② in that order.
- 5) While pulling slide adjuster lever, move seat all the way forward.
- 6) Secure the rear of seat using inward and outward bolts ③ and ④ in that order.
- 7) Install bolt ⑤.
- 8) Connect connector under driver's seat.

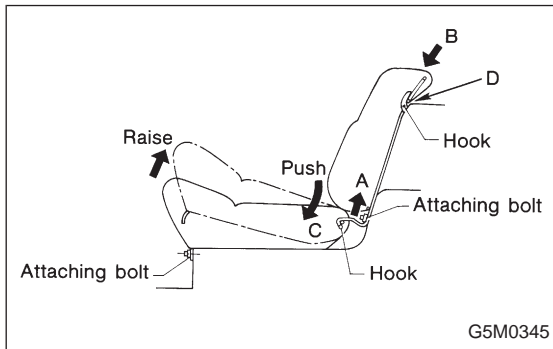
**CAUTION:**

**Check that all lock plate pawls are completely and equally inserted into the holes in the slide rail brackets.**

- 9) After installation, ensure that all mechanisms operate properly and lock.
- 10) If any mechanism does not function properly, loosen bolts ③, ④ and ⑤, slide seat as required, insert all lock plate pawls into holes in slide rail brackets, and tighten bolts ③, ④ and ⑤ in that order.
- 11) Install bolt cover on rear end of slide rail.
- 12) Install headrest on backrest.

**NOTE:**

Tighten bolts in the designated order.

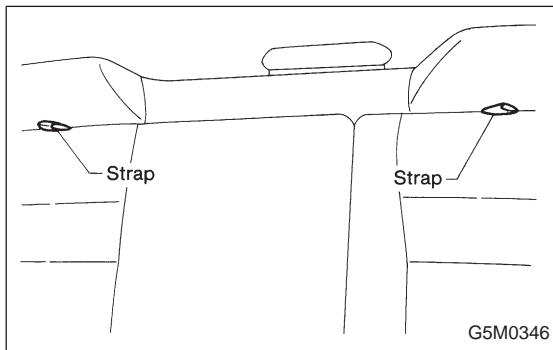


**2. Rear Seat**

**A: REMOVAL**

**1. SEDAN MODEL**

- 1) Remove bolts securing hinges (located at front of cushion) to body.
- 2) Slightly raise front of cushion while pushing down on cushion in the direction of "C". With cushion held in that position, move it forward until it is unhooked.



- 3) Remove bolts securing lower portion of backrest to body.
- 4) Pull strap (located in center of fold-down backrest) to release lock, and fold backrest onto cushion. (Fold-down type)
- 5) Lift rear seat backrest in direction "A" until it is released from upper hooks.