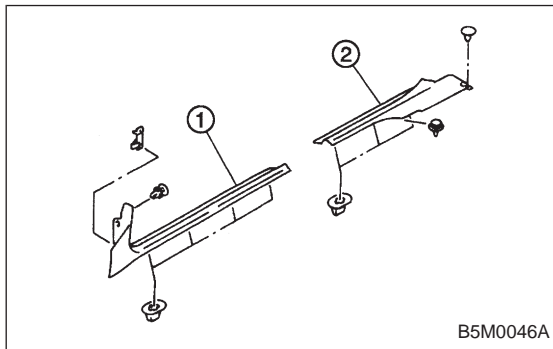


- 6) Remove lap anchor cover and then remove lower anchor bolt.
- 7) Remove outer belt assembly.

8) Installation is in the reverse order of removal. Ensure that seat belt is properly reeled on and off after installation of ELR.

**CAUTION:**

- Be extremely careful not to confuse center seat anchor plate with outer seat anchor plate during installation.
- Ensure that seat belts are free from twisting after installation.
- Ensure that tongues, buckles and belts are properly placed on seat.

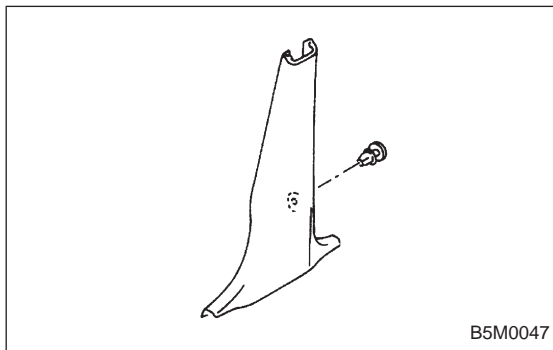


**5. Inner Trim Panel**

**A: REMOVAL AND INSTALLATION**

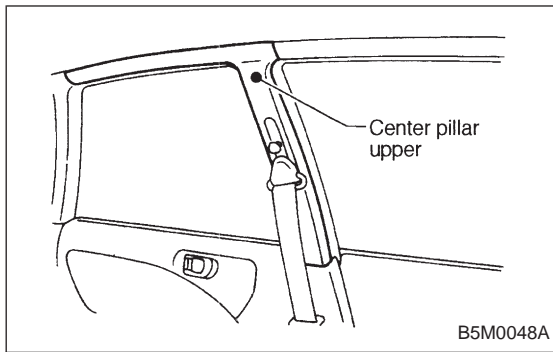
**1. SIDE SILL COVER**

- 1) Remove front pillar lower trim ①.
- 2) Remove side sill rear upper cover trim ②.



**2. CENTER PILLAR LOWER**

Remove center pillar lower trim.



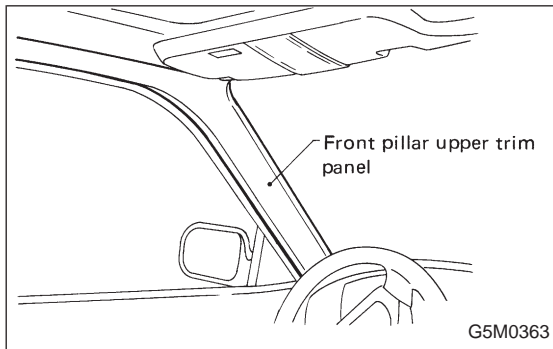
### 3. CENTER PILLAR UPPER

<Ref. to 5-3 [C500].>

- 1) Remove front pillar upper trim.
- 2) Remove upper anchor of front seat belt.
- 3) Remove center pillar upper trim panel.
- 4) Installation is in the reverse order of removal.

#### CAUTION:

- The left and right ELR's are not mutually interchangeable because different sensors are used.
- Be careful not to twist belts during installation.



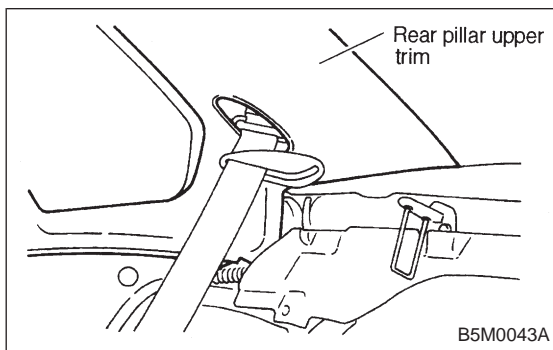
### 4. FRONT PILLAR UPPER

<Ref. to 5-3 [C500].>

Remove front pillar upper trim panel.

#### CAUTION:

Be sure to securely hook pawls of front pillar upper trim panel on body flange.

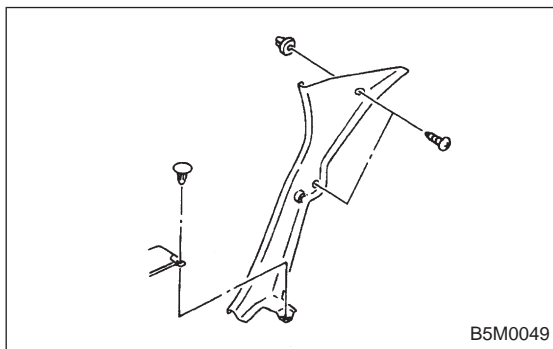


### 5. REAR PILLAR UPPER

- 1) Remove rear seat cushion and backrest.
- 2) Remove rear seat belt. (Lower anchor bolt)
- 3) Remove rear pillar upper trim panel. <Ref. to 5-3 [C500].>
- 4) Installation is in the reverse order of removal.

#### CAUTION:

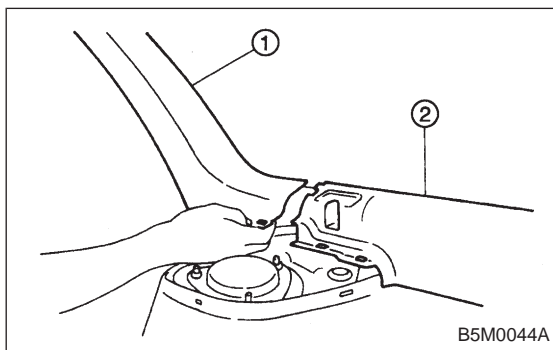
Be sure to securely hook pawls of rear pillar upper trim panel on body flange.



### 6. REAR PILLAR LOWER

<Ref. to 5-3 [C500].>

- 1) Remove side sill rear upper cover trim.
- 2) Remove rear pillar lower trim.



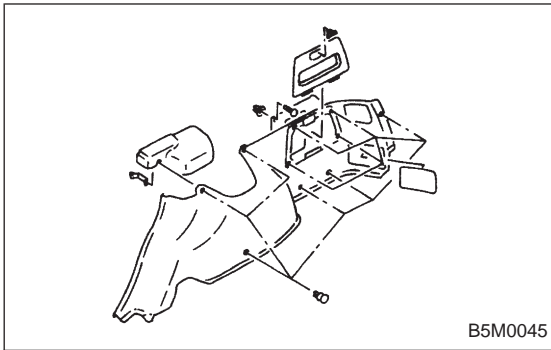
### 7. REAR QUARTER PILLAR UPPER

<Ref. to 5-3 [C500].>

- 1) Remove rear seat belt. (Upper anchor bolt)
- 2) Remove cap strut.
- 3) Remove rear quarter upper front trim ①.
- 4) Remove rear quarter upper rear trim ②.
- 5) Installation is in the reverse order of removal.

#### CAUTION:

Be sure to securely hook pawls of rear quarter pillar trim panel on body flange.



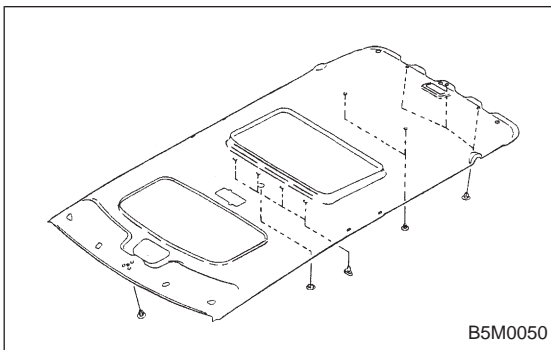
### 8. REAR QUARTER PILLAR LOWER

<Ref. to 5-3 [C500].>

- 1) Set rear seat cushion up.
- 2) Remove side sill rear upper cover.
- 3) Remove rear seat belt. (Upper anchor and lower anchor bolts)
- 4) Remove side skirt trim.
- 5) Remove cap strut.
- 6) Remove rear quarter upper rear trim.
- 7) Remove rear quarter pillar lower trim.
- 8) Installation is in the reverse order of removal.

#### CAUTION:

**Be careful not to ride trim panel over harness, insulators, etc.**



### 9. ROOF TRIM

<Ref. to 5-3 [C500].>

- 1) Remove room mirror, room light, sun visor and assist grip.
- 2) Remove front pillar upper, center pillar upper, rear quarter upper and rear rail trim.
- 3) Using ST, remove clips and then detach roof trim.  
ST 925580000 PULLER
- 4) Installation is in the reverse order of removal.

#### CAUTION:

**When removing clip, use great care to prevent damaging the roof trim.**

### 10. FLOOR MAT **AIRBAG** Supplemental Restraint System "Airbag"

Airbag system wiring harness is routed near floor mat.

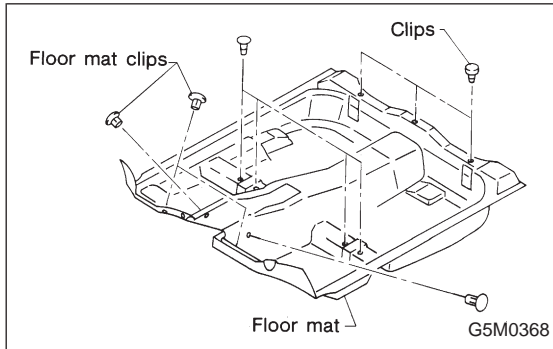
#### CAUTION:

- All Airbag system wiring harness and connectors are colored yellow. Do not use electrical test equipment on these circuit.
- Be careful not to damage Airbag system wiring harness when servicing floor mat.

The following procedure is applicable to all models.

<Ref. to 5-3 [C500].>

- 1) Remove front seats.
- 2) Remove rear seat cushion.
- 3) Remove console box.
- 4) Remove front pillar lower trim panel.
- 5) Remove center pillar lower trim panel.
- 6) Remove side sill cover.
- 7) Remove fuel opener cover.



- 8) Remove clip under front seat.
- 9) Remove clip in toe board area.

**NOTE:**

When pulling out edge, do not pull mat alone; pull mat together with edge.

Pry off two steel clips on side sill front cover and one on side sill rear cover using screwdriver.

- 10) Remove mat hook.
- 11) Remove mat from toe board area.
- 12) Remove mat from heater module.

13) Roll mat, and take it out of opened rear door.

14) Installation is in the reverse order of removal.

**NOTE:**

- Secure mat firmly with hook and velcro tape.
- Insert mat edge firmly into the groove of side sill cover.