

7. Back-up Light

A: REMOVAL AND INSTALLATION

1. BACK-UP LIGHT

Refer to 6-2 [W5A2] as for removal and installation of rear finisher.

2. BACK-UP LIGHT SWITCH (MT MODEL)

Refer to 3-1 [W2B1 (AWD) or W3A0 (FWD)] as for removal and installation of back-up light switch.

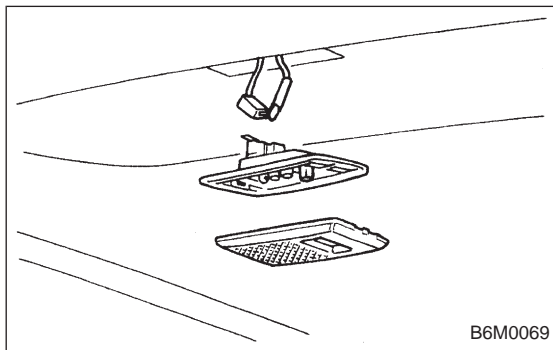
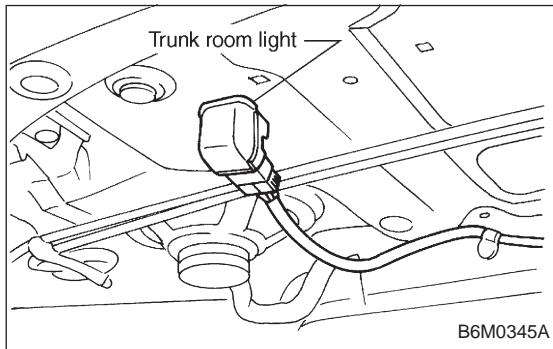
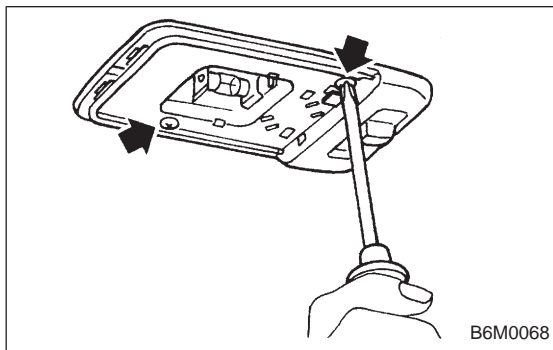
3. INHIBITOR SWITCH (AT MODEL)

Refer to 3-2 [W4A3] as for removal and installation of inhibitor switch (R position switch).

B: INSPECTION

1. INHIBITOR SWITCH (AT MODEL)

Refer to 3-2 [W2B2] as for inspection of inhibitor switch.



8. Room Light and Door Switch

A: REMOVAL AND INSTALLATION

1. ROOM LIGHT

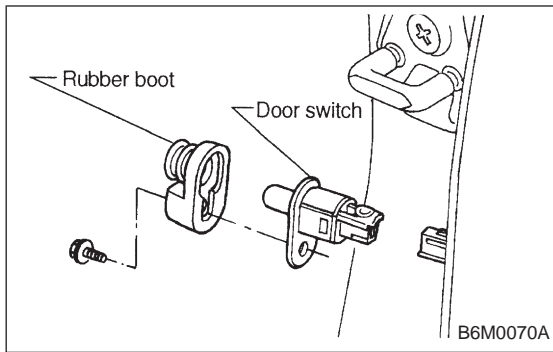
- 1) Pry room light lens off using a screwdriver.
- 2) Remove screws which secure room light body.
- 3) Remove room light body while disconnecting connector.

2. TRUNK ROOM LIGHT (SEDAN)

- 1) Turn trunk room light body by hand and remove it from rear shelf panel.
- 2) Disconnect connector of trunk room light.

3. LUGGAGE ROOM LIGHT (WAGON)

- 1) Pry luggage room light lens off using a screwdriver.
- 2) Remove screws which secure luggage room light body.
- 3) Remove luggage room light body while disconnecting connector.



4. DOOR SWITCH

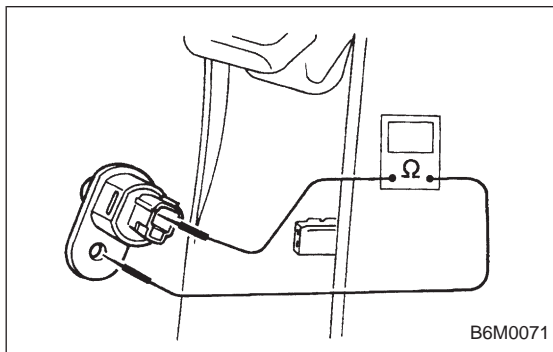
- 1) Remove rubber boot of door switch.
- 2) Remove screw which secures door switch to body.
- 3) Remove door switch while disconnecting connector.

5. TRUNK ROOM LIGHT SWITCH (SEDAN)

Refer to 5-1 [W2A3] as for removal and installation of trunk room light switch which is installed in trunk lid lock.

6. LUGGAGE ROOM LIGHT SWITCH (WAGON)

Refer to 5-2 [W3A2] as for removal and installation of luggage room light switch which is installed in rear gate lock.

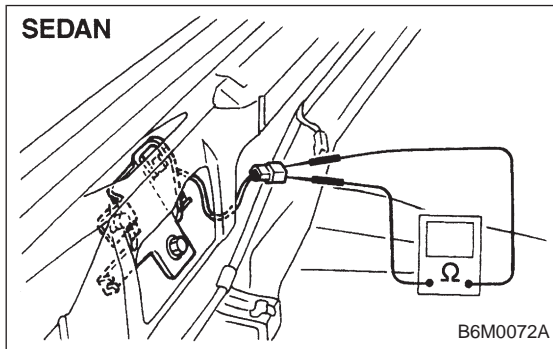


B: INSPECTION

1. DOOR SWITCH

Move switch and check continuity between terminal of door switch and switch body.

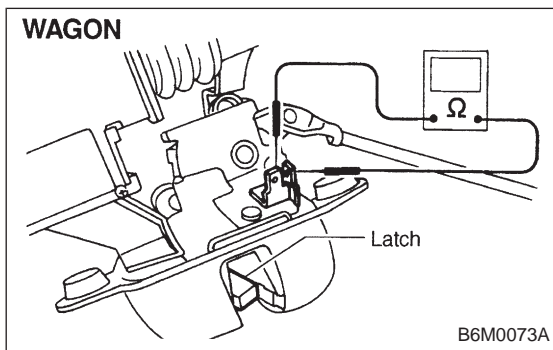
Switch position	Terminal	Switch body
Open (ON)	○	○
Push in (OFF)		



2. TRUNK ROOM LIGHT SWITCH (SEDAN)

Move switch and check continuity between terminals of trunk room light switch.

Terminal	1	2
Switch position		
Open (ON)	○	○
Push in (OFF)		



3. LUGGAGE ROOM LIGHT SWITCH (WAGON)

Move switch and check continuity between terminals of luggage room light switch.

Terminal	1	2
Switch position		
Open (ON)	○	○
Push in (OFF)		