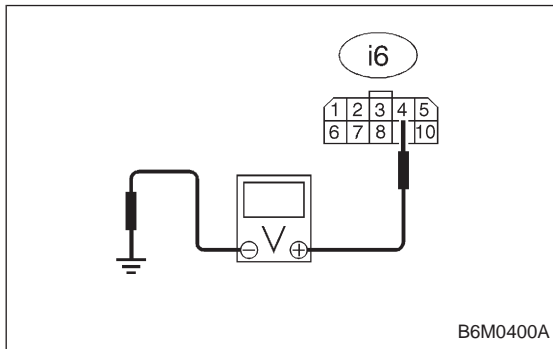
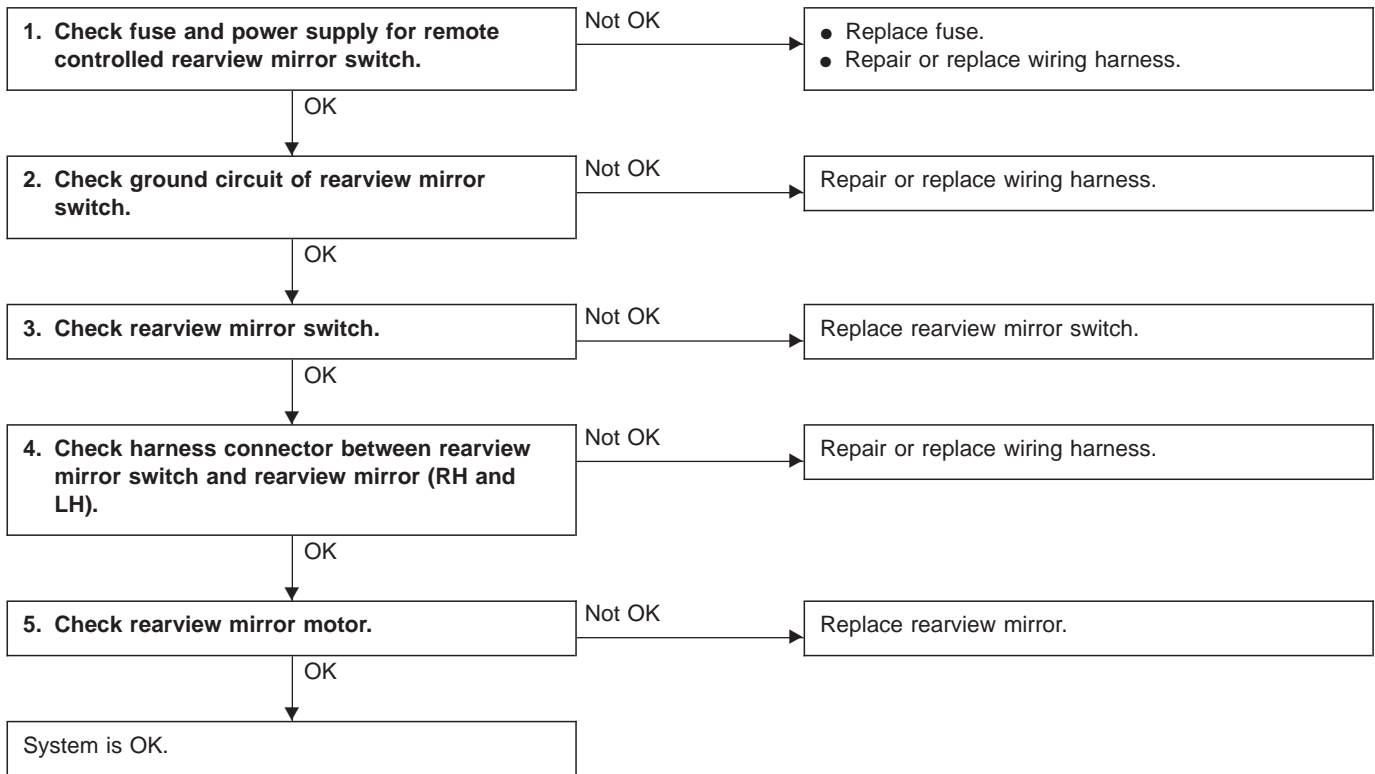


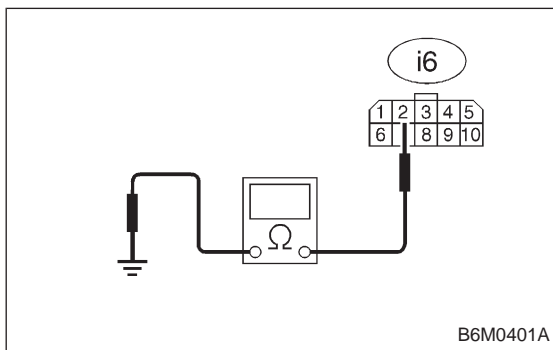
5. Remote Controlled Rearview Mirror A: DIAGNOSTICS PROCEDURE



1. CHECK FUSE AND POWER SUPPLY FOR REMOTE CONTROLLED REARVIEW MIRROR SWITCH.

- 1) Check fuse No. 3.
- 2) Disconnect connector of rearview mirror switch.
- 3) Turn ignition switch to ON.
- 4) Measure voltage between rearview mirror switch connector and body.

Connector & terminal / Specified voltage:
(i6) No. 4 — Body / 10 V, or more



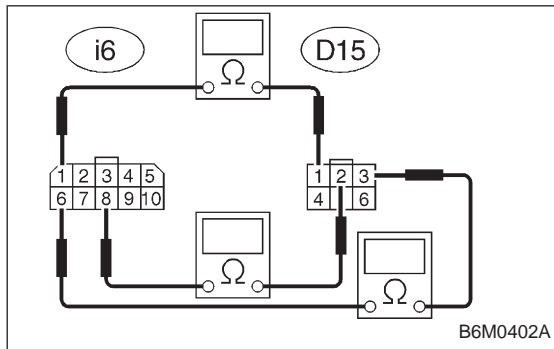
2. CHECK GROUND CIRCUIT OF REARVIEW MIRROR SWITCH.

- 1) Disconnect connector of rearview mirror switch.
- 2) Measure resistance of harness connector between rearview mirror switch and body.

Connector & terminal / Specified resistance:
(i6) No. 2 — Body / 10 Ω, max.

3. CHECK REARVIEW MIRROR SWITCH.

Refer to 6-2 [W18B1] for inspection of rearview mirror switch.

**4. CHECK HARNESS CONNECTOR BETWEEN REARVIEW MIRROR SWITCH AND REARVIEW MIRROR (RH AND LH).**

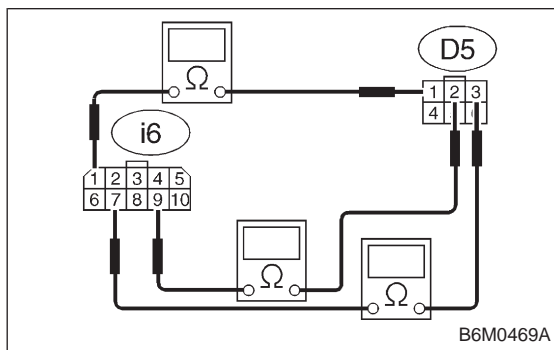
- 1) Disconnect connectors of rearview mirror switch and rearview mirror.
- 2) Measure resistance of harness connector between rearview mirror switch and rearview mirror.

Connector & terminal / Specified resistance:**LHD model:**

- (i6) No. 1 — (D15) No. 1 / 10 Ω, max. (RH)
- (i6) No. 8 — (D15) No. 2 / 10 Ω, max. (RH)
- (i6) No. 6 — (D15) No. 3 / 10 Ω, max. (RH)
- (i6) No. 1 — (D5) No. 1 / 10 Ω, max. (LH)
- (i6) No. 9 — (D5) No. 2 / 10 Ω, max. (LH)
- (i6) No. 7 — (D5) No. 3 / 10 Ω, max. (LH)

RHD model:

- (i6) No. 1 — (D5) No. 1 / 10 Ω, max. (RH)
- (i6) No. 8 — (D5) No. 2 / 10 Ω, max. (RH)
- (i6) No. 6 — (D5) No. 3 / 10 Ω, max. (RH)
- (i6) No. 1 — (D15) No. 1 / 10 Ω, max. (LH)
- (i6) No. 9 — (D15) No. 2 / 10 Ω, max. (LH)
- (i6) No. 7 — (D15) No. 3 / 10 Ω, max. (LH)

**5. CHECK REARVIEW MIRROR MOTOR.**

Refer to 6-2 [W18B2] for inspection of rearview mirror motor.