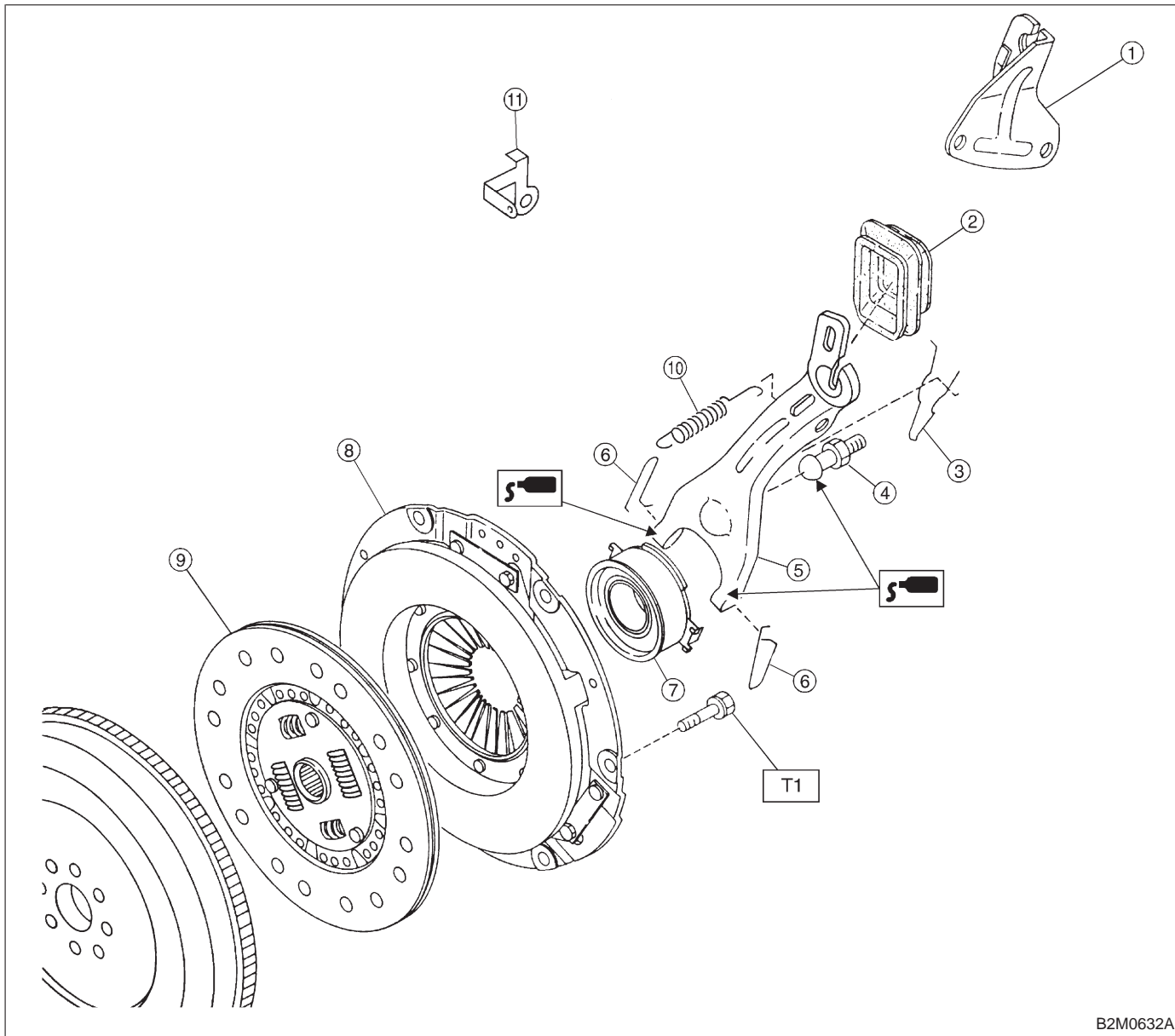


1. Clutch System



B2M0632A

- ① Clutch cable bracket
- ② Clutch release lever sealing
- ③ Retainer spring
- ④ Pivot
- ⑤ Clutch release lever
- ⑥ Clip
- ⑦ Clutch release bearing
- ⑧ Clutch cover

- ⑨ Clutch disc
- ⑩ Return spring (Models without hill holder only)
- ⑪ Clutch return spring bracket

**Tightening torque: N·m (kg·m, ft·lb)**  
**T1: 15.7±1.5 (1.6±0.15, 11.6±1.1)**