

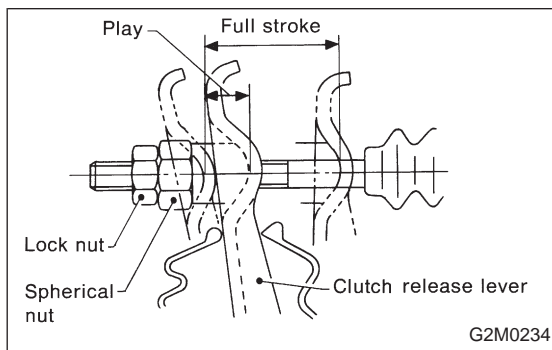
1. General

A: PRECAUTION

When servicing clutch system, pay attention to the following items.

1. MECHANICAL APPLICATION TYPE

- 1) Check the routing of clutch cable for smoothness.
- 2) Excessive tightness or looseness of clutch cable have a bad influence upon the cable durability.
- 3) Apply grease sufficiently to the connecting portion of clutch pedal.
- 4) Apply grease sufficiently to the release lever portion.
- 5) Position clutch cable through the center of toe board hole and route it smoothly. Adjustment is done by moving the outer cable.
- 6) Make sure not to let the clutch chatter when starting forward or rearward. If clutch chattering occurs, readjust so that the bend of clutch outer cable becomes flatter.



2. On-Car Service

1. MECHANICAL APPLICATION TYPE

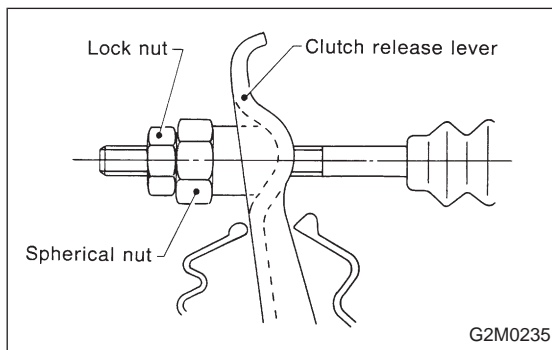
- 1) Remove release lever return spring from lever (Models without hill holder only).
- 2) Adjust spherical nut so that the play is within the specified value at the lever end (center of spherical nut).

CAUTION:

Take care not to twist the cable during adjustment

Play: 3 — 4 mm (0.12 — 0.16 in)

Full stroke: 24 — 26 mm (0.94 — 1.02 in)

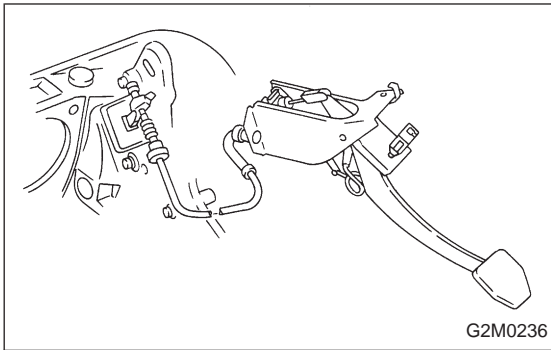


- 3) Upon completion of adjustment, securely lock spherical nut with lock nut.

Install return spring on lever (Models without hill holder only).

NOTE:

Hook the long hook side of the return spring with the lever (Models without hill holder only).



4) Depress clutch pedal to assure there is no abnormality in the clutch system.

3. Release Bearing and Lever

A: REMOVAL

1. MECHANICAL APPLICATION TYPE

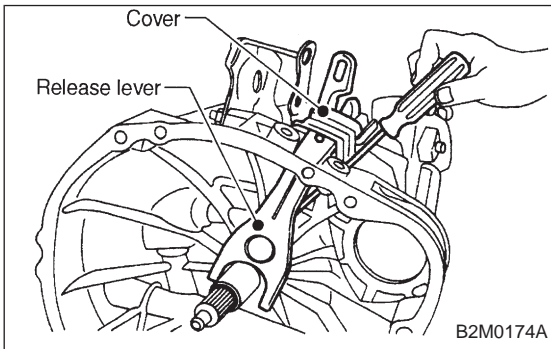
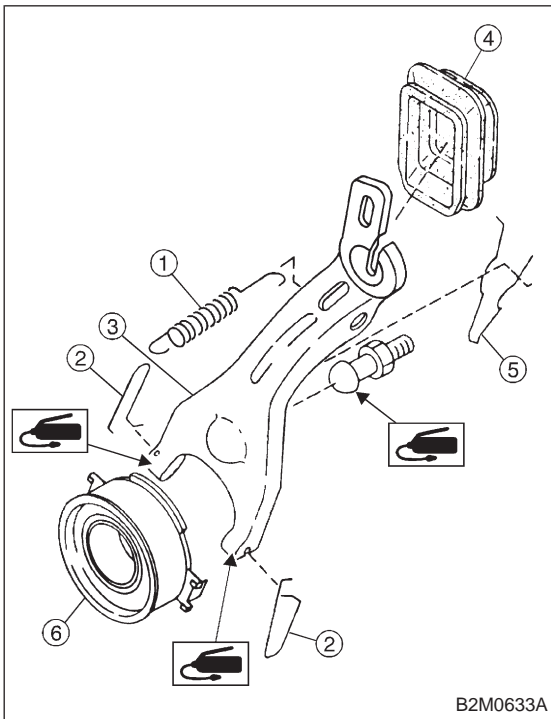
1) Remove release lever return spring ① (Models without hill holder only).

2) Remove the two clips ② from clutch release lever ③ and remove release bearing ⑥.

CAUTION:

Be careful not to deform clips.

3) Remove release lever seal ④.



4) Remove release lever retainer spring from release lever pivot with a screwdriver by accessing it through clutch housing release lever hole. Then remove release lever.