

4) Depress clutch pedal to assure there is no abnormality in the clutch system.

3. Release Bearing and Lever

A: REMOVAL

1. MECHANICAL APPLICATION TYPE

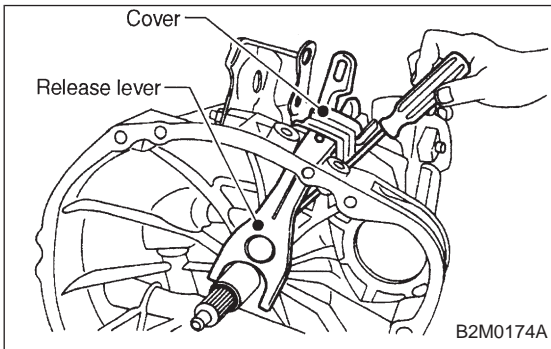
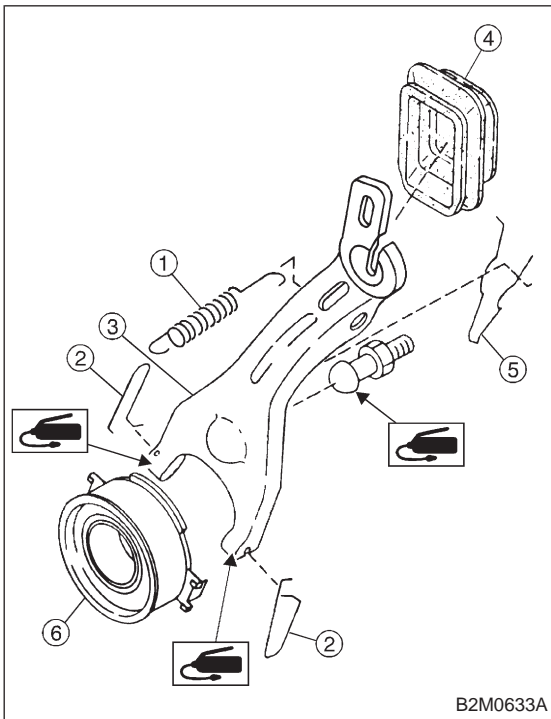
1) Remove release lever return spring ① (Models without hill holder only).

2) Remove the two clips ② from clutch release lever ③ and remove release bearing ⑥.

CAUTION:

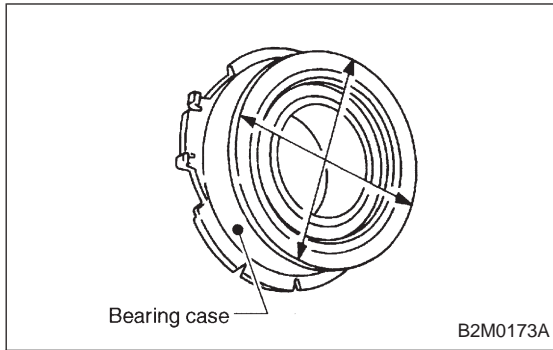
Be careful not to deform clips.

3) Remove release lever seal ④.



4) Remove release lever retainer spring from release lever pivot with a screwdriver by accessing it through clutch housing release lever hole. Then remove release lever.

3. Release Bearing and Lever

**B: INSPECTION****1. RELEASE BEARING****CAUTION:**

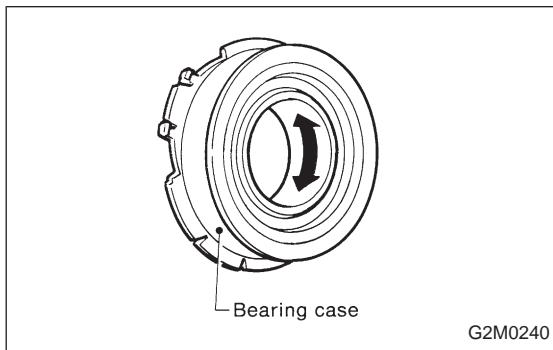
Since this bearing is grease sealed and is of a nonlubrication type, do not wash with gasoline or any solvent when servicing the clutch.

1) Check the bearing for smooth movement by applying force in the radial direction.

Radial direction stroke:

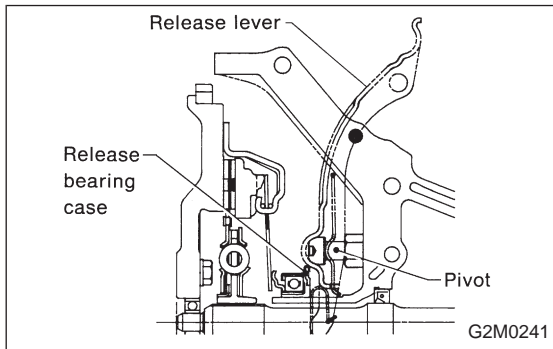
FWD; Approx.
1.0 mm (0.039 in)

AWD; Approx.
1.4 mm (0.055 in)



2) Check the bearing for smooth rotation by applying pressure in the thrust direction.

3) Check wear and damage of bearing case surface contacting with lever.

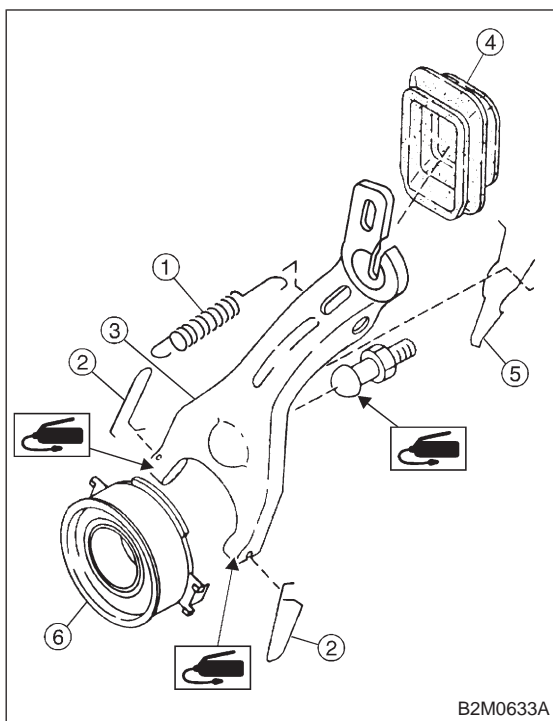
**2. RELEASE LEVER**

Check lever pivot portion and the point of contact with release bearing case for wear.

C: INSTALLATION**CAUTION:**

Before or during assembling, lubricate the following points with a light coat of grease.

- Inner groove of release bearing
- Contact surface of lever and pivot
- Contact surface of lever and bearing
- Transmission main shaft spline (Use grease containing molybdenum disulphide.)



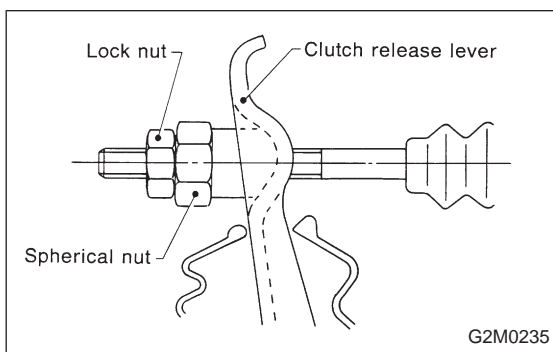
1. MECHANICAL APPLICATION TYPE

1) While pushing release lever ③ to pivot and twisting it to both sides, fit retainer spring ⑤ onto the constricted portion of pivot.

NOTE:

Confirm that retainer spring is securely fitted by observing it through the main case hole.

- 2) Install release bearing ⑥ and fasten it with two clips ②.
- 3) Install release lever seal ④.



4) After remounting engine and transmission on body, make adjustment of the clutch release lever end play.

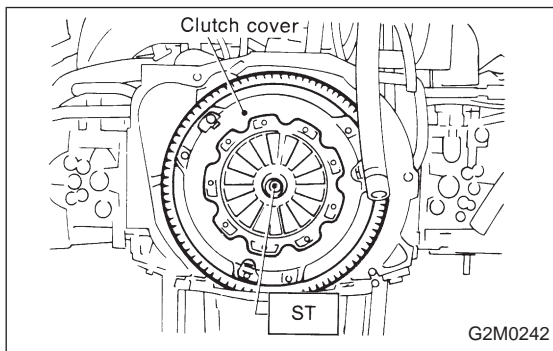
CAUTION:

Take care not to twist the cable during adjustment.

5) Install release lever return spring (Models without hill holder only).

NOTE:

Hook up the return spring to right side hole of the release lever.



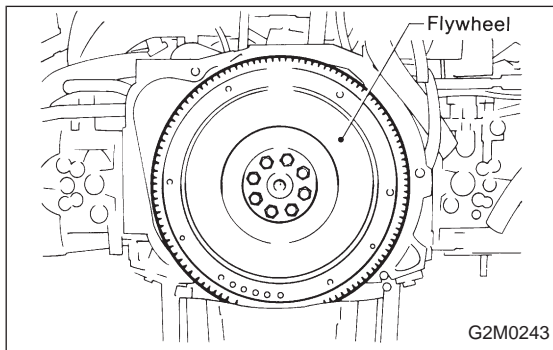
4. Clutch Disc and Cover

A: REMOVAL

- 1) Install ST on flywheel.
ST 498497100 CRANKSHAFT STOPPER
- 2) Remove clutch cover and clutch disc.

CAUTION:

- Take care not to allow oil on the clutch disc facing.
- Do not disassemble either clutch cover or clutch disc.



3) Remove flywheel.