

7. EGR Solenoid Valve

A: REMOVAL AND INSTALLATION

- 1) Remove bolt which installs EGR solenoid valve onto intake manifold.
- 2) Disconnect hoses and connector from EGR solenoid valve.

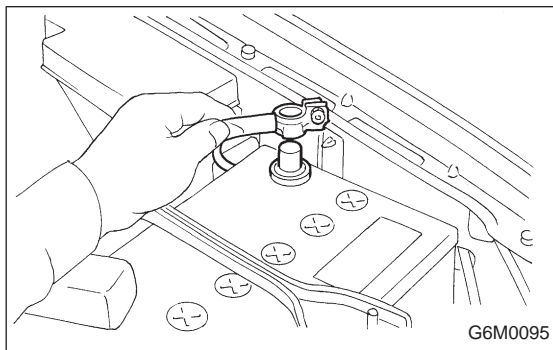
NOTE:

This figure shows the rear side of intake manifold.

- 3) Installation is in the reverse order of removal.

Tightening torque:

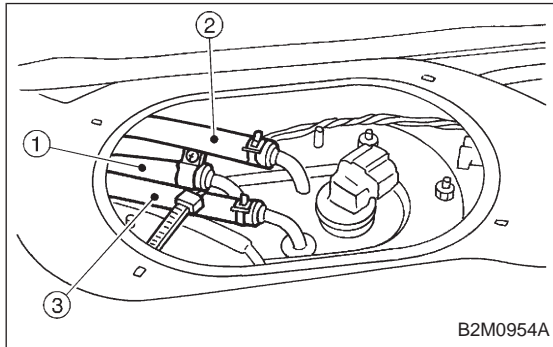
19±5 N·m (1.9±0.5 kg·m, 13.7±3.6 ft·lb)



8. Fuel Temperature Sensor (2200 cc AWD Model)

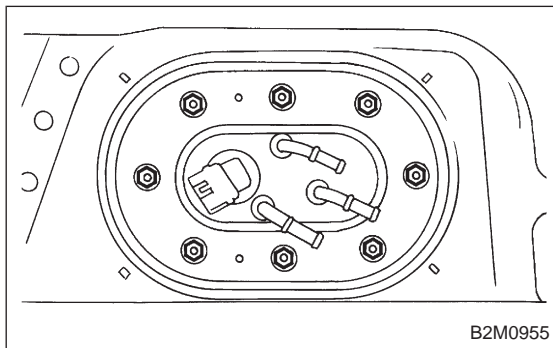
A: REMOVAL

- 1) Disconnect battery ground cable.



- 2) Release fuel pressure. <Ref. to 2-8 [W1A0].>

- 3) Disconnect fuel delivery hose ①, return hose ② and jet pump hose ③.



- 4) Remove nuts which install fuel pump assembly onto fuel tank.