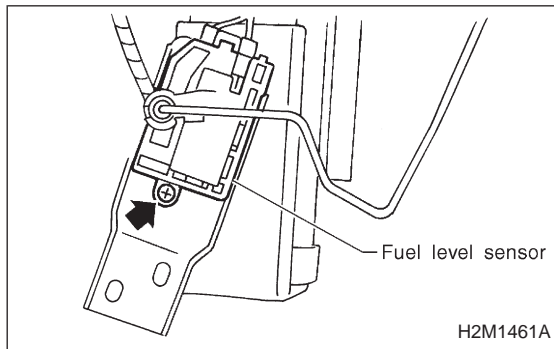
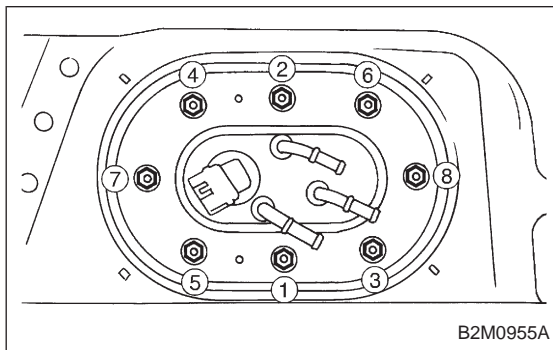


7) Remove two screws fixing bracket on fuel pump assembly.



8) Remove one screw fixing fuel level sensor on bracket.  
9) Remove fuel level sensor from fuel pump assembly.



## B: INSTALLATION

### CAUTION:

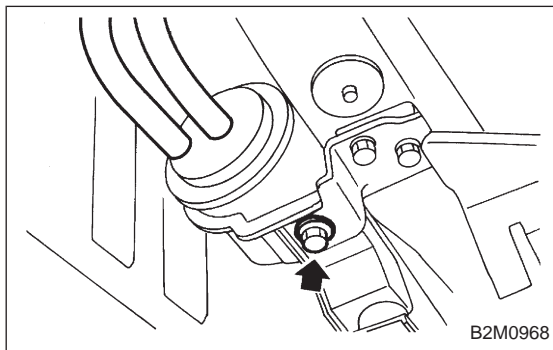
Leave fuel filler cap open when tightening nuts, to prevent fuel from flowing out through fuel delivery and return pipes. Close fuel filler cap after tightening nuts.

Installation is in the reverse order of removal. Do the following:

- (1) Always use new gaskets.
- (2) Ensure sealing portion is free from fuel or foreign particles before installation.
- (3) Tighten nuts in numerical sequence shown in Figure to specified torque.

### Tightening torque:

$4.4 \pm 1.5 \text{ N}\cdot\text{m}$  ( $0.45 \pm 0.15 \text{ kg}\cdot\text{m}$ ,  $3.3 \pm 1.1 \text{ ft}\cdot\text{lb}$ )



## 13. Air Filter (2200 cc AWD Model)

### A: REMOVAL AND INSTALLATION

- 1) Remove canister. <Ref. to 2-1 [W3A2].>
- 2) Remove two hoses from air filter.
- 3) Remove flange nut from bracket.
- 4) Installation is in the reverse order of removal.