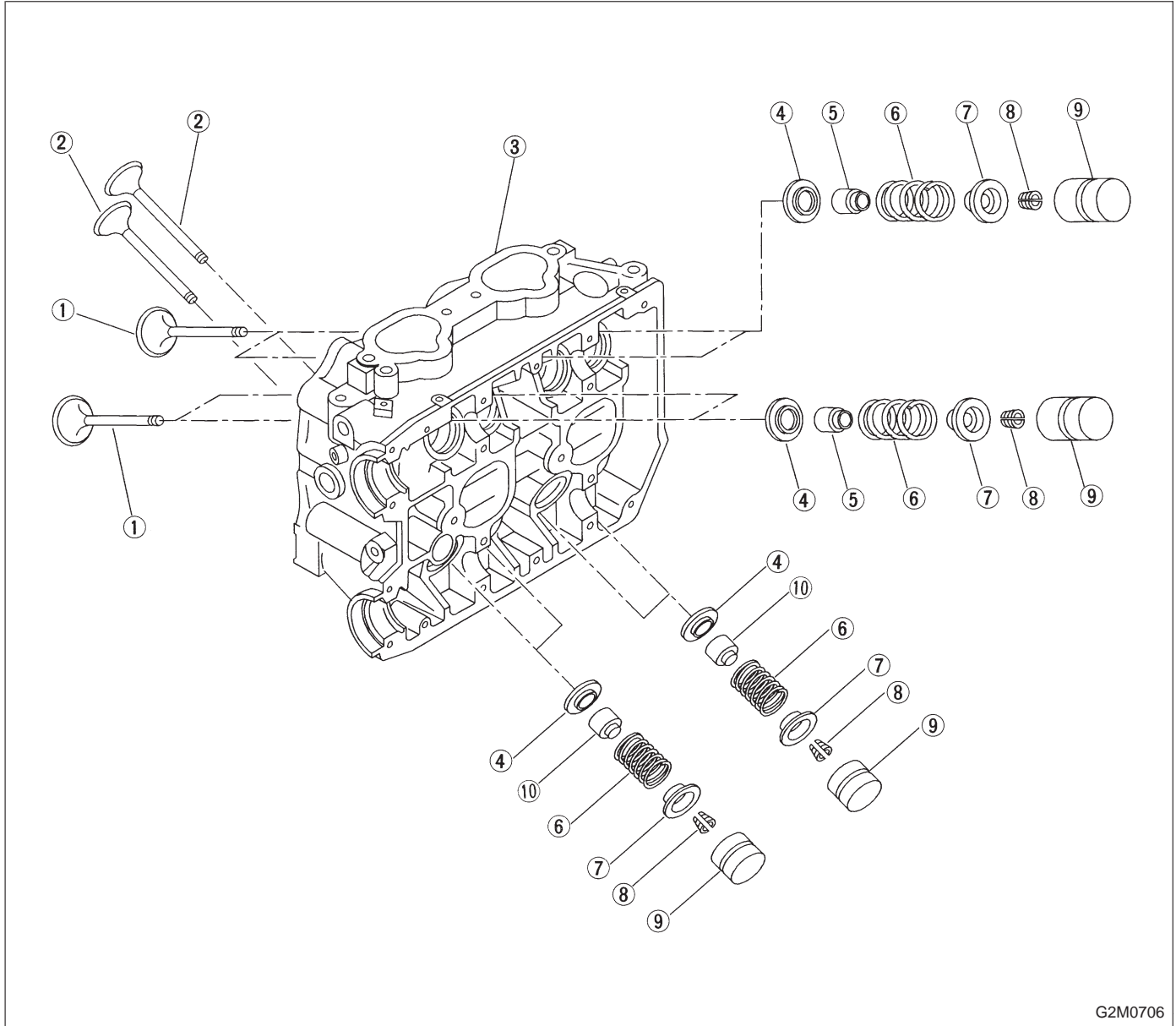


3. Cylinder Head and Valve Assembly



G2M0706

- ① Exhaust valve
- ② Intake valve
- ③ Cylinder head
- ④ Valve spring seat
- ⑤ Intake valve oil seal
- ⑥ Valve spring
- ⑦ Retainer
- ⑧ Retainer key

- ⑨ Hydraulic lash adjuster
- ⑩ Exhaust valve oil seal

Tightening torque: N·m (kg·m, ft·lb)

T1: 5 (0.5, 3.6)

T2: 12 (1.2, 9)