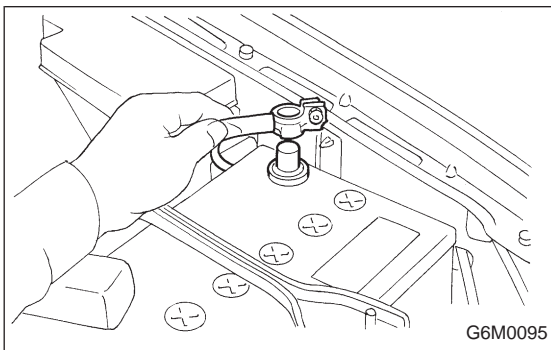


- 5) Remove radiator fan motor assembly.
- 6) Remove fan motor from shroud.

**B: INSTALLATION**

Installation is in the reverse order of removal procedures. Do the following:

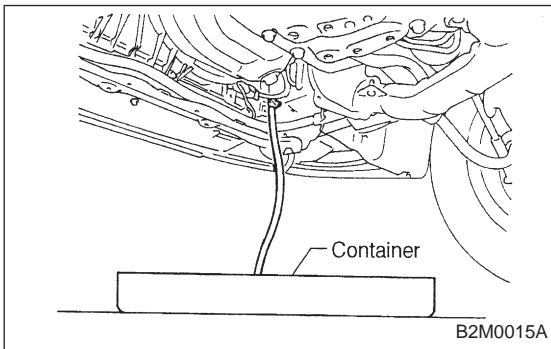
- 1) Before installing radiator fan motor, apply a coat of sealant to threads and tighten nuts.
- 2) Make sure radiator fan does not come into contact with shroud when installed.
- 3) After installation, make sure there is no unusual noise or vibration when fan is rotated.



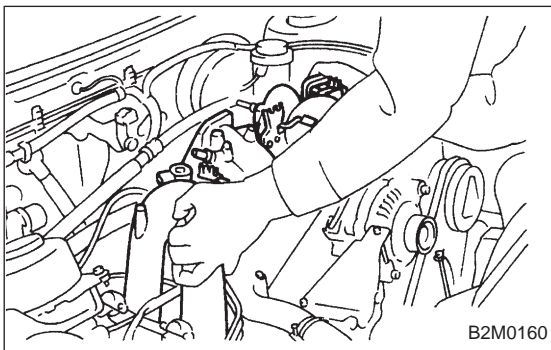
**7. Engine Coolant Pipe**

**A: REMOVAL**

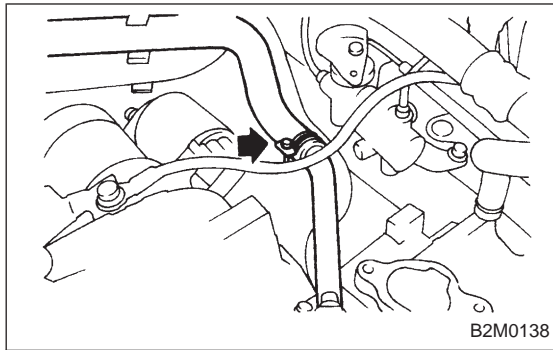
- 1) Release fuel pressure.  
<Ref. to 2-8 [W1A0].>
- 2) Disconnect ground cable from the battery.



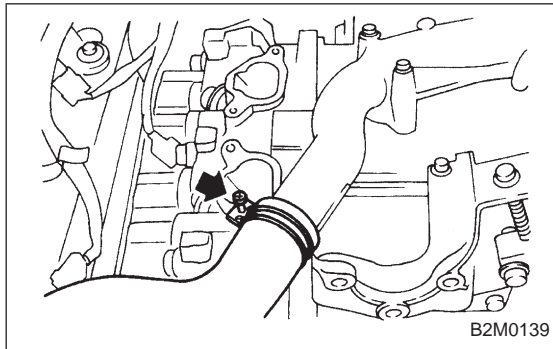
- 3) Drain engine coolant completely.  
<Ref. to 2-5 [W1A0].>



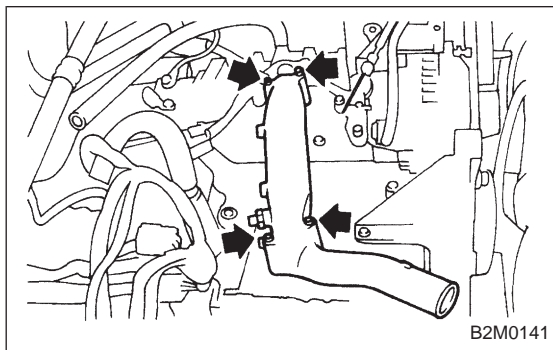
- 4) Remove intake manifold.  
<Ref. to 2-7 [W4A0].>



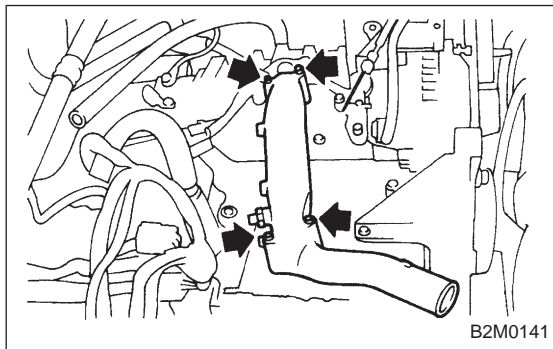
5) Disconnect heater inlet hose.



6) Disconnect radiator inlet hose from engine coolant pipe.



7) Remove bolts which install engine coolant pipe on cylinder block.



## B: INSTALLATION

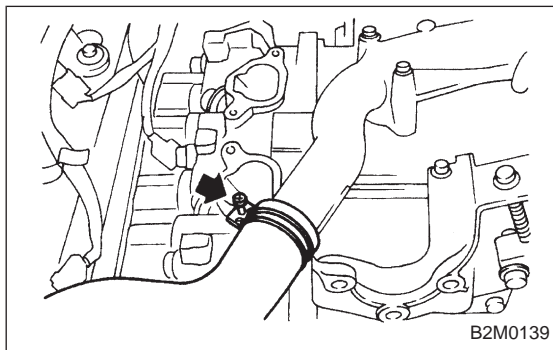
1) Install engine coolant pipe on cylinder block.

**Tightening torque:**

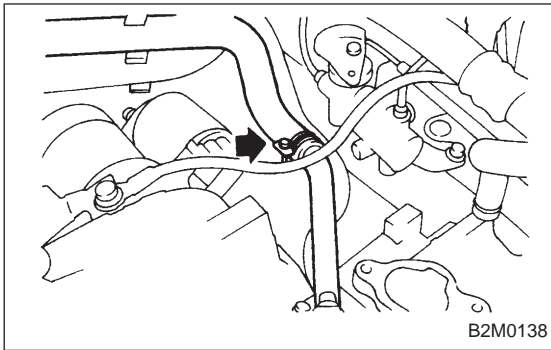
**$6.4 \pm 0.5 \text{ N}\cdot\text{m}$  ( $0.65 \pm 0.05 \text{ kg}\cdot\text{m}$ ,  $4.7 \pm 0.4 \text{ ft}\cdot\text{lb}$ )**

**CAUTION:**

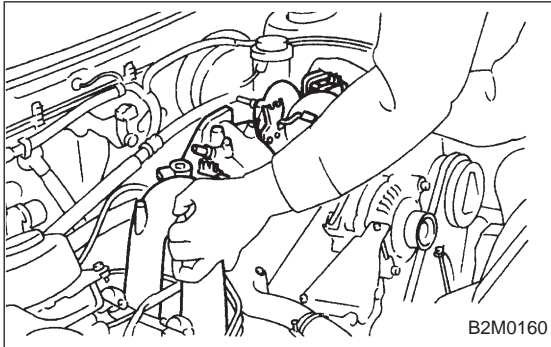
**Use a new O-ring.**



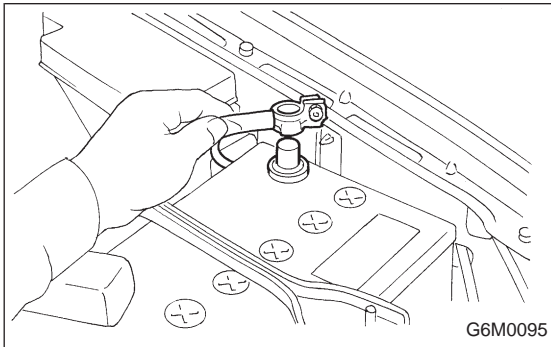
2) Connect radiator inlet hose.



3) Connect heater inlet hose.



4) Install intake manifold.  
<Ref. to 2-7 [W4D0].>



5) Connect ground cable to battery terminal.