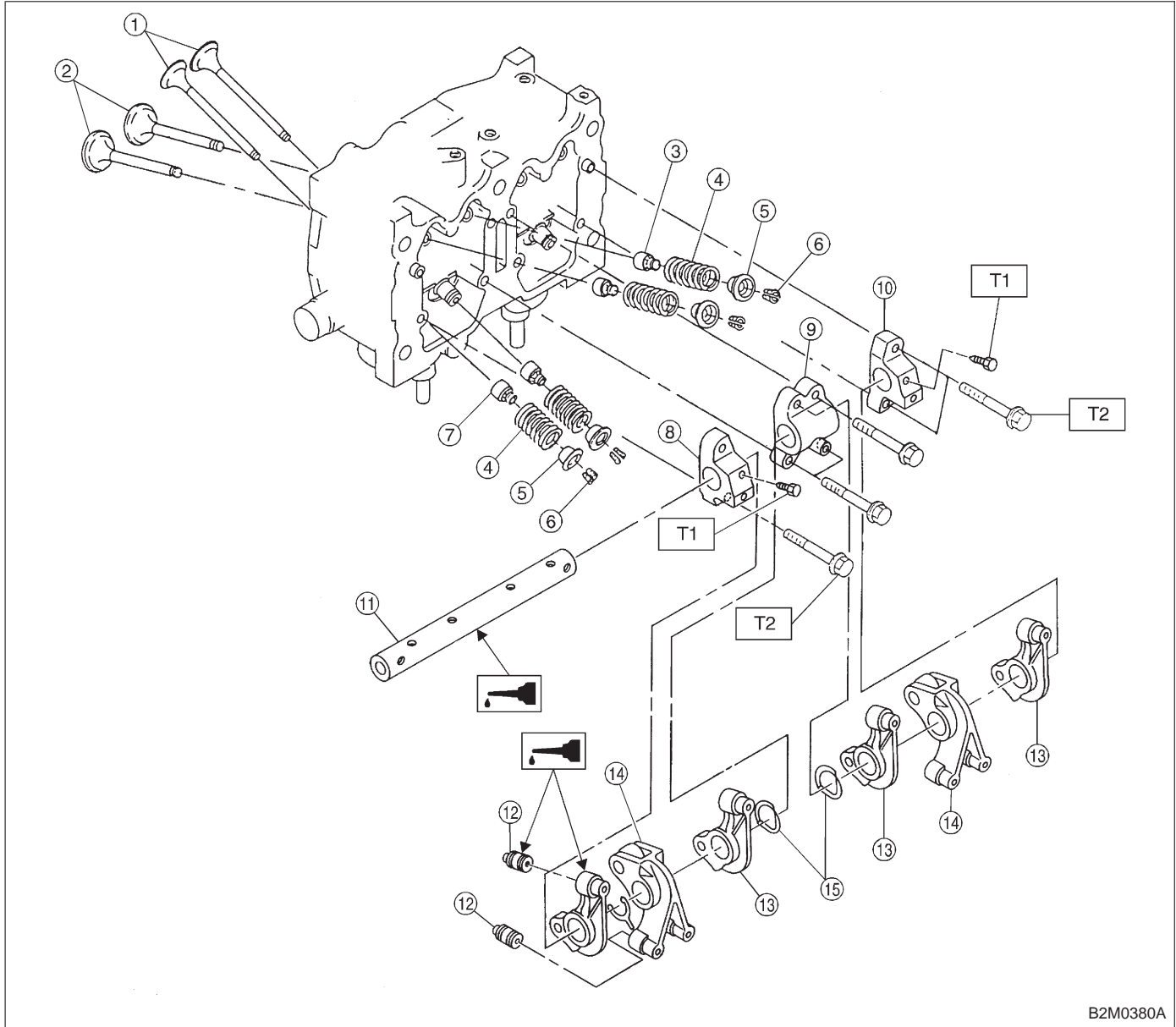


3. Cylinder Head and Valve Assembly



- ① Exhaust valve
- ② Intake valve
- ③ Intake valve oil seal
- ④ Valve spring
- ⑤ Retainer
- ⑥ Retainer key
- ⑦ Exhaust valve oil seal
- ⑧ Rocker shaft support
- ⑨ Rocker shaft support
- ⑩ Rocker shaft support

- ⑪ Rocker shaft
- ⑫ Hydraulic lash adjuster
- ⑬ Intake valve rocker arm
- ⑭ Exhaust valve rocker arm
- ⑮ Spring

Tightening torque: N·m (kg·m, ft·lb)

T1: 5 ± 1 (0.5 ± 0.1 , 3.6 ± 0.7)

T2: 12 ± 1 (1.2 ± 0.1 , 8.7 ± 0.7)