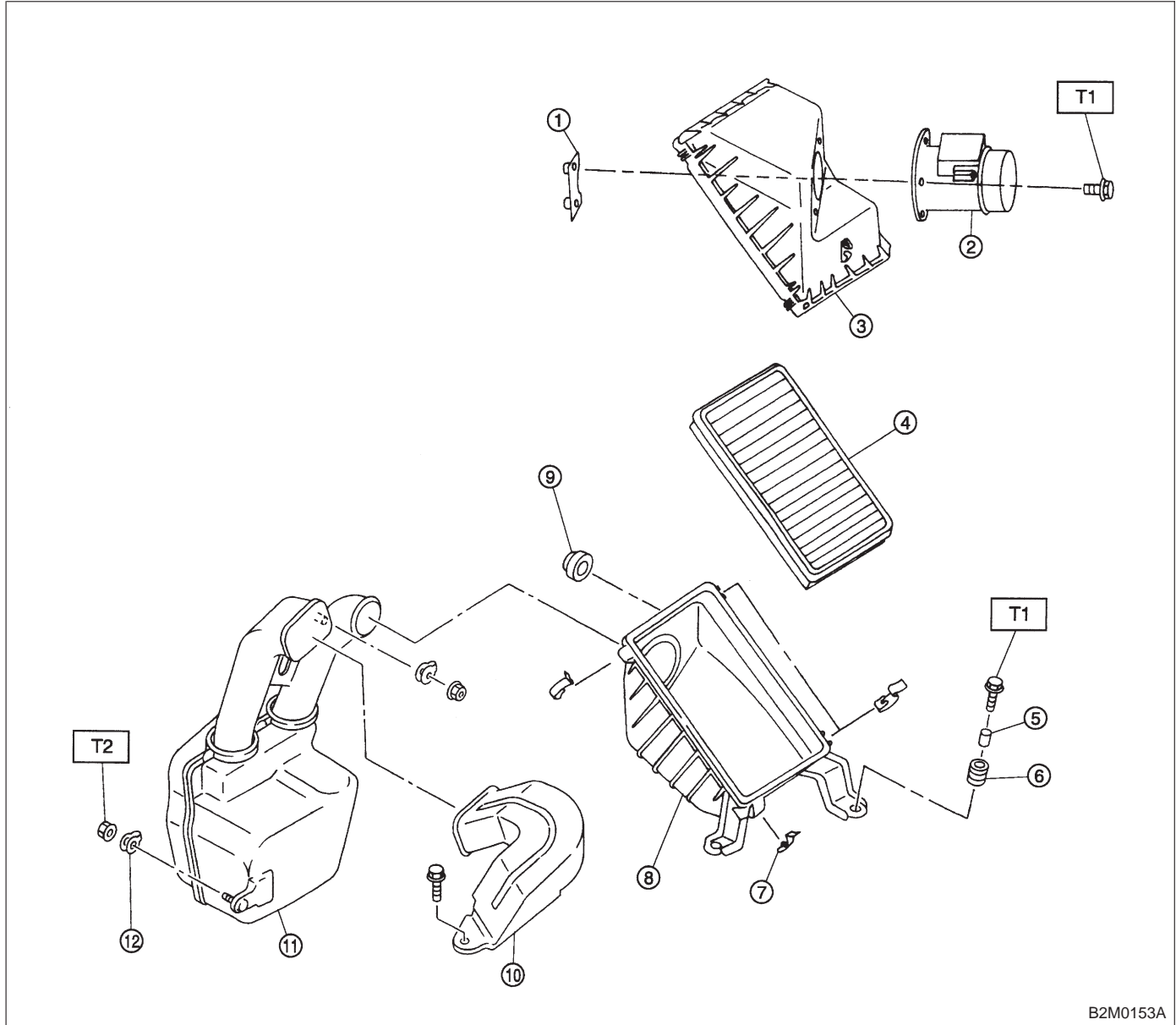


## 3. Air Cleaner



B2M0153A

- ① Mass air flow sensor bracket
- ② Mass air flow sensor ASSY
- ③ Air cleaner upper cover
- ④ Air cleaner element
- ⑤ Spacer
- ⑥ Bush
- ⑦ Clip
- ⑧ Air cleaner case
- ⑨ Cushion rubber

- ⑩ Air intake duct
- ⑪ Resonator chamber ASSY
- ⑫ Clip

**Tightening torque: N·m (kg-m, ft-lb)**

**T1: 7.4±2.0 (0.75±0.2, 5.4±1.4)**

**T2: 33±10 (3.4±1.0, 25±7)**