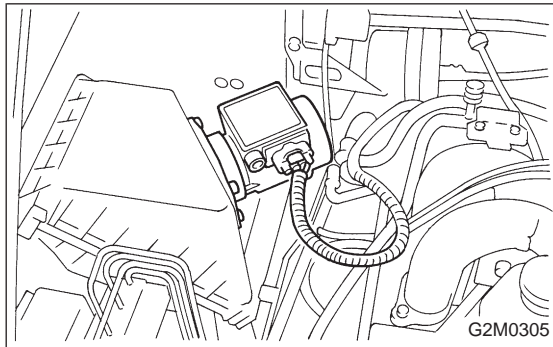


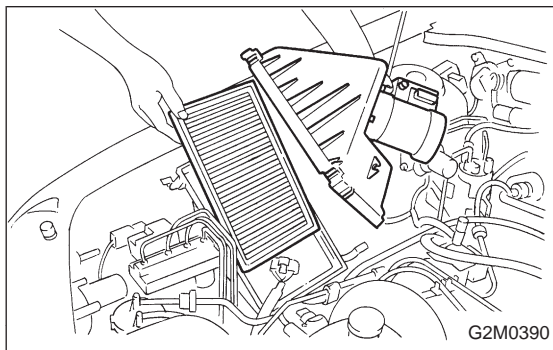
## 2. Mass Air Flow Sensor

### A: REMOVAL AND INSTALLATION

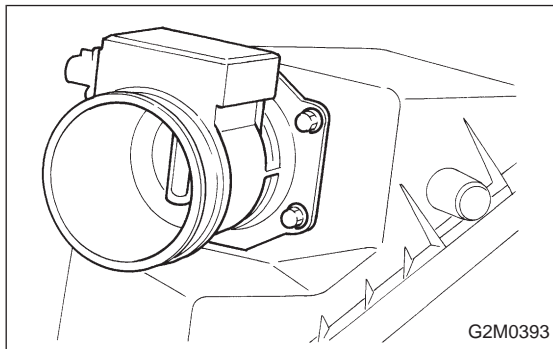
1) Remove air intake duct.



2) Disconnect connector from mass air flow sensor.



3) Remove air cleaner upper cover.



4) Remove mass air flow sensor from air cleaner upper cover.

5) Installation is in the reverse order of removal.

#### **Tightening torque:**

**$7.4 \pm 2.0 \text{ N}\cdot\text{m}$  ( $0.75 \pm 0.2 \text{ kg}\cdot\text{m}$ ,  $5.4 \pm 1.4 \text{ ft}\cdot\text{lb}$ )**