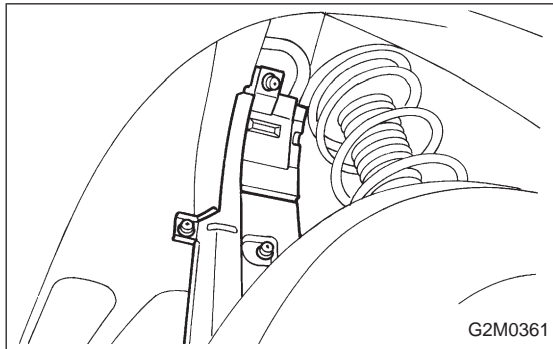


5) Insert air vent hose approximately 25 to 30 mm (0.98 to 1.18 in) into the lower end of air vent pipe and hold clip.

- ① Hose
- ② Clip
- ③ Pipe

$L = 25 - 30 \text{ mm (0.98 - 1.18 in)}$

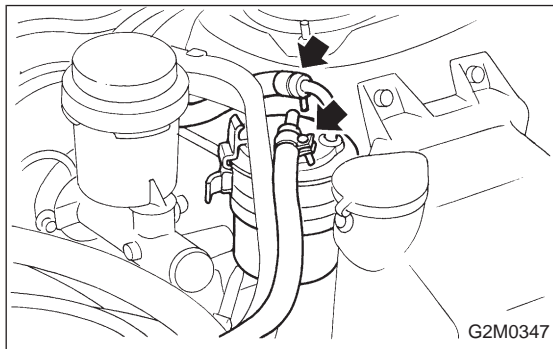


- 6) Install fuel filler pipe protector.
- 7) Install right rear wheel.

5. Fuel Filter

A: REMOVAL

1) Release fuel pressure. <Ref. to 2-8 [W1A0].>



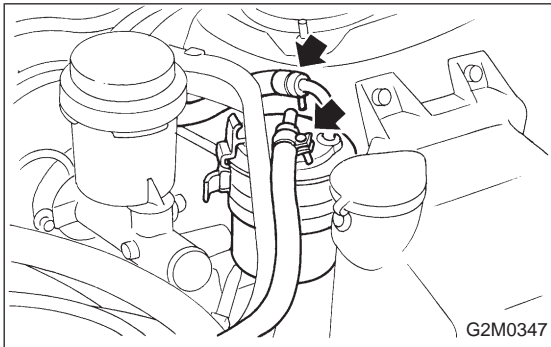
- 2) Disconnect fuel delivery hoses from fuel filter.
- 3) Remove filter from holder.

B: INSPECTION

- 1) Check the inside of fuel filter for dirt and water sediment.
- 2) If it is clogged, or if replacement interval has been reached, replace it.
- 3) If water is found in it, shake and expel the water from inlet port.

C: INSTALLATION**CAUTION:**

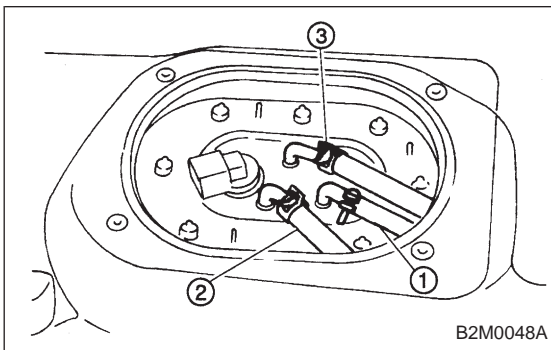
- If fuel hoses are damaged at the connecting portion, replace it with a new one.
- If clamps are badly damaged, replace with new ones.



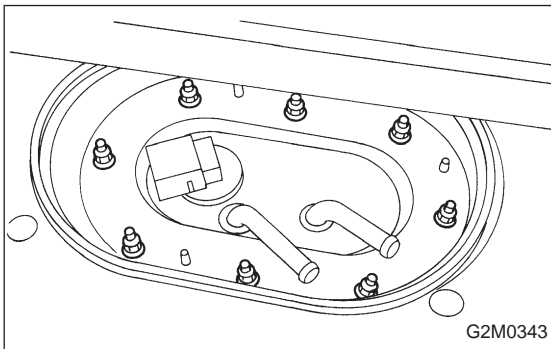
- 1) Installation is in the reverse order of removal.
- 2) Tighten hose clamp screws.

Tightening torque:

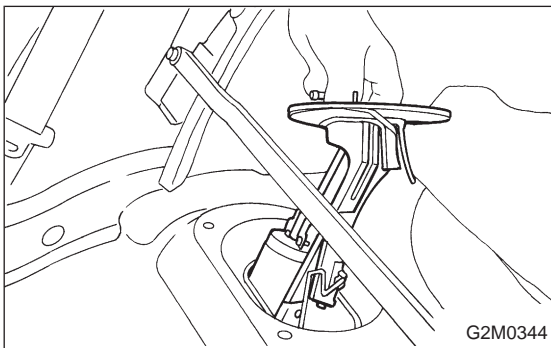
$1.0^{+0.5}_{-0}$ N·m ($0.1^{+0.05}_{-0}$ kg·m, $0.7^{+0.4}_{-0}$ ft·lb)

**6. Fuel Pump****A: REMOVAL**

- 1) Release fuel pressure. <Ref. to 2-8 [W1A0].>
- 2) Disconnect fuel delivery hose ① and return hose ②.
- 3) Disconnect jet pump hose ③. (AWD model)



- 4) Remove nuts which install fuel pump assembly onto fuel tank.



- 5) Take off fuel pump from fuel tank.