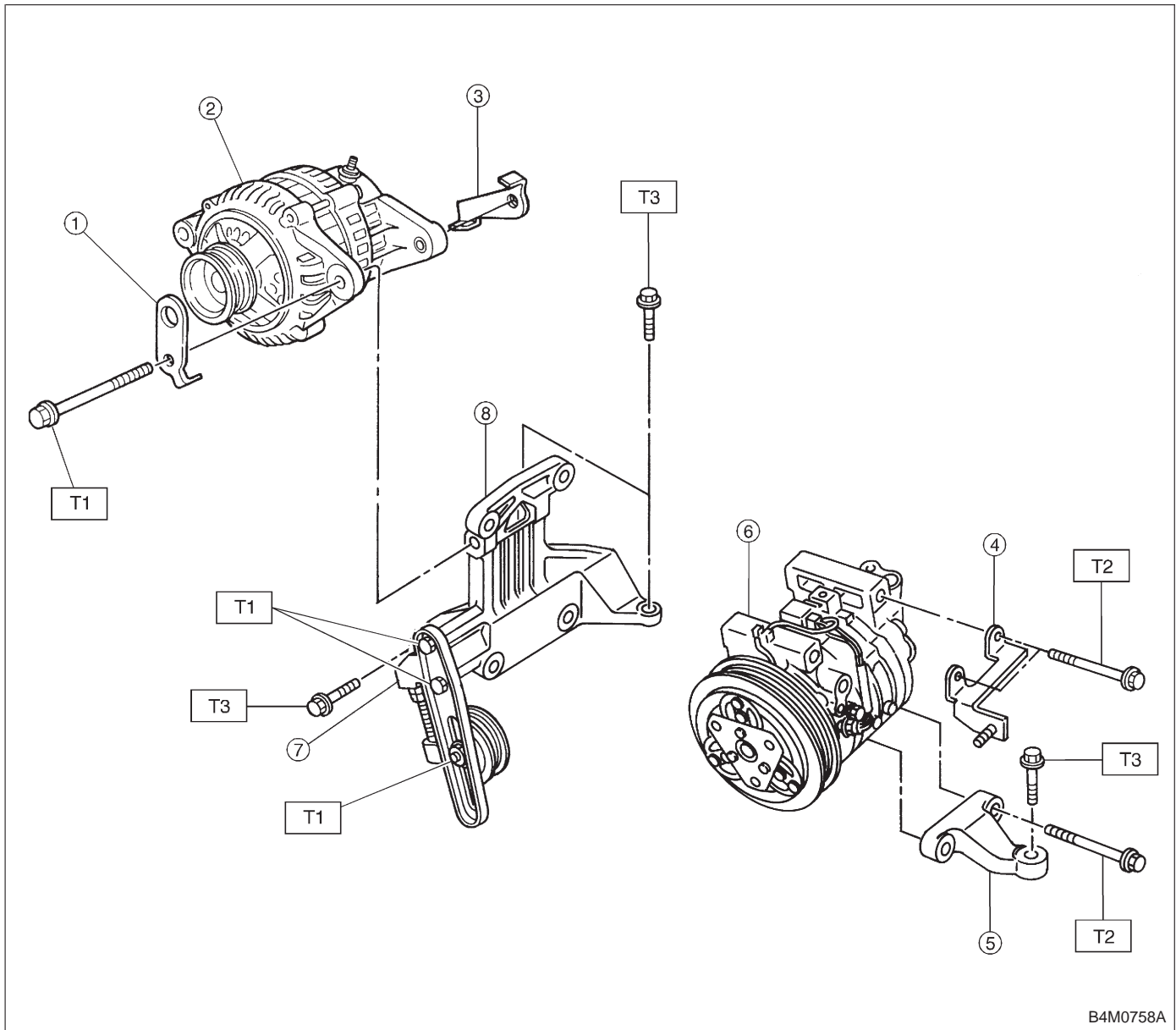


3. Compressor

1. LHD MODEL

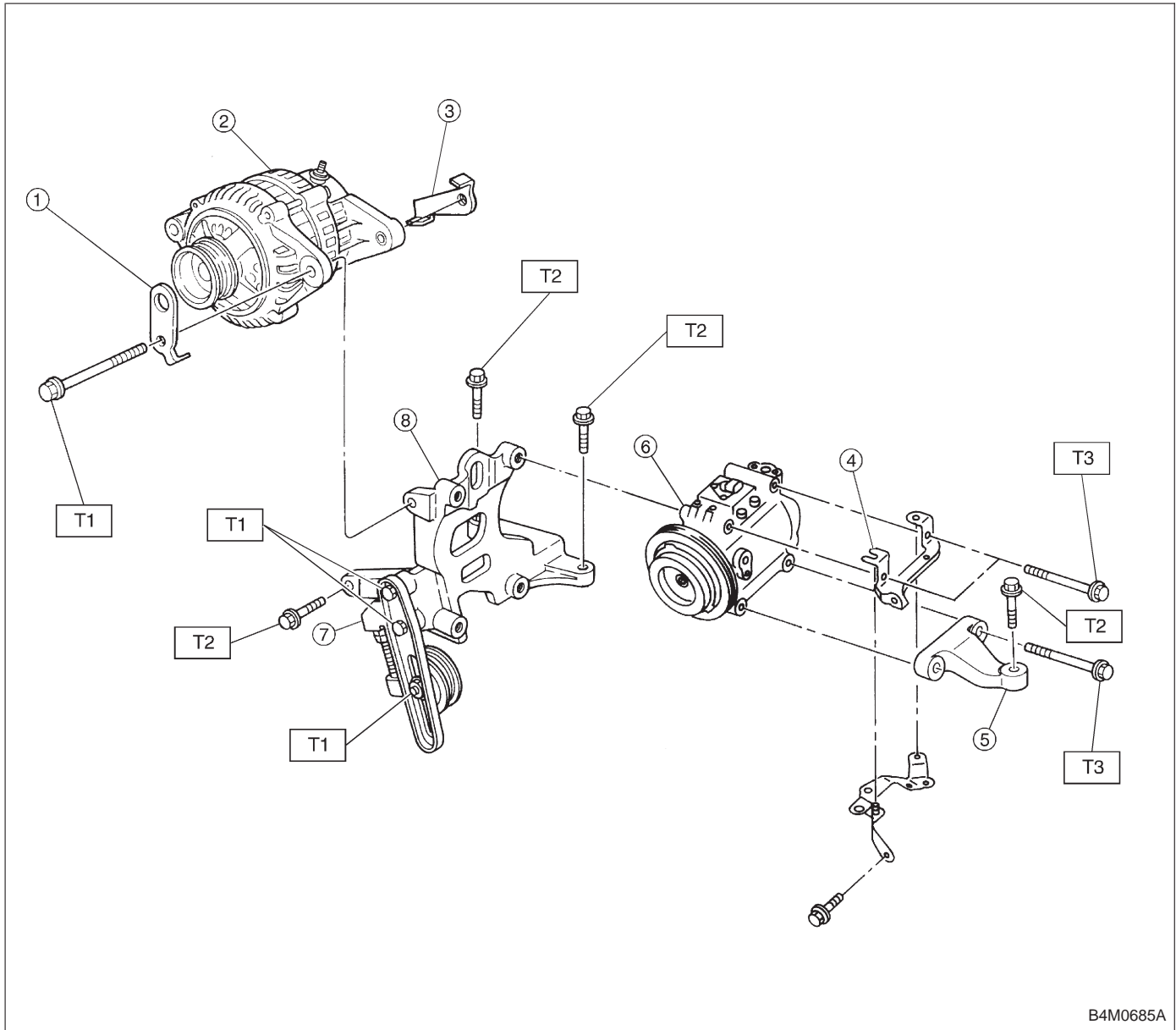


B4M0758A

- ① Alternator bracket
- ② Alternator
- ③ Alternator bracket nut
- ④ Bracket
- ⑤ Compressor bracket lower
- ⑥ Compressor
- ⑦ Idler pulley ASSY
- ⑧ Compressor bracket upper

Tightening torque: N·m (kg·m, ft·lb)
T1: 23.0±4.4 (2.35±0.45, 17.0±3.3)
T2: 29±4 (3.0±0.4, 21.7±2.9)
T3: 35±4 (3.6±0.4, 26.0±2.9)

2. RHD MODEL



B4M0685A

- ① Alternator bracket
- ② Alternator
- ③ Alternator bracket nut
- ④ Bracket
- ⑤ Compressor bracket lower
- ⑥ Compressor
- ⑦ Idler pulley ASSY
- ⑧ Compressor bracket upper

Tightening torque: N·m (kg·m, ft·lb)

T1: 23±4 (2.3±0.4, 16.6±2.9)

T2: 35±5 (3.6±0.5, 26.0±3.6)

T3: 43±6 (4.4±0.6, 31.8±4.3)