

16. Flexible Hose

A: REMOVAL AND INSTALLATION

- 1) Disconnect battery negative terminal.
- 2) Discharge refrigerant using refrigerant recovery system. <Ref. to 4-7 [W601].>
- 3) Remove low-pressure hose.
 - (1) Remove hose attaching bolts.

CAUTION:

Plug the opening to prevent foreign matter from getting in.

- (2) Disconnect the connector at evaporator module.

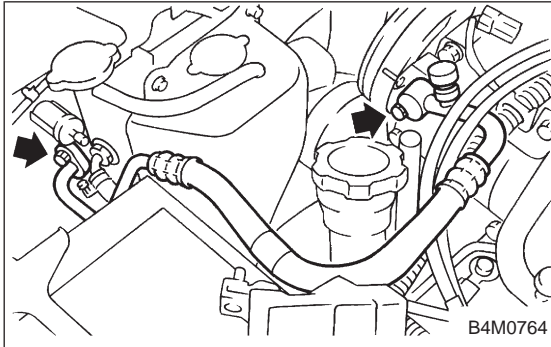
- 4) Remove high-pressure hose.

- (1) Disconnect hose attaching bolt (compressor side).
- (2) Disconnect hose attaching bolt (condenser side).

CAUTION:

Plug the opening to prevent foreign matter from getting in.

- 5) Installation is in the reverse order of removal.
- 6) Charge refrigerant. <Ref. to 4-7 [W708].>

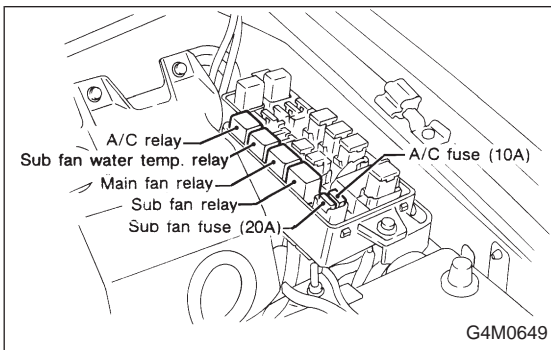


17. Relay and Fuse

A: LOCATION

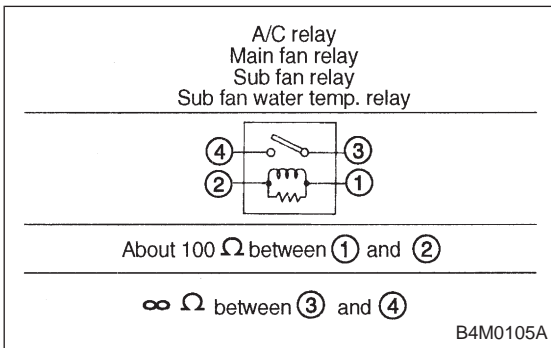
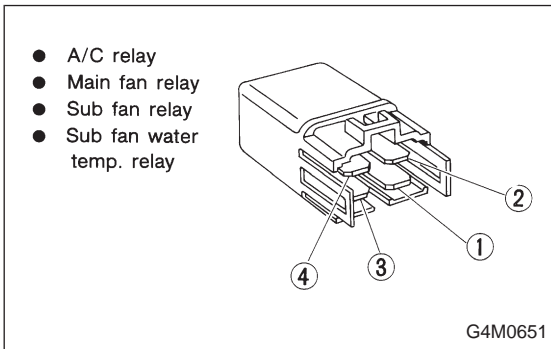
Relays used with A/C system are located as shown in figure.

- 1) A/C relay
- 2) Main fan (radiator fan) relay
- 3) Sub fan (condenser fan) relay
- 4) Sub fan (condenser fan) water temperature relay
- 5) Fuses (10 A and 20 A)



B: INSPECTION

- 1) Check conduction with a circuit tester (ohm range) according to the following table in figure.



- 2) Replace relays which do not meet specifications.