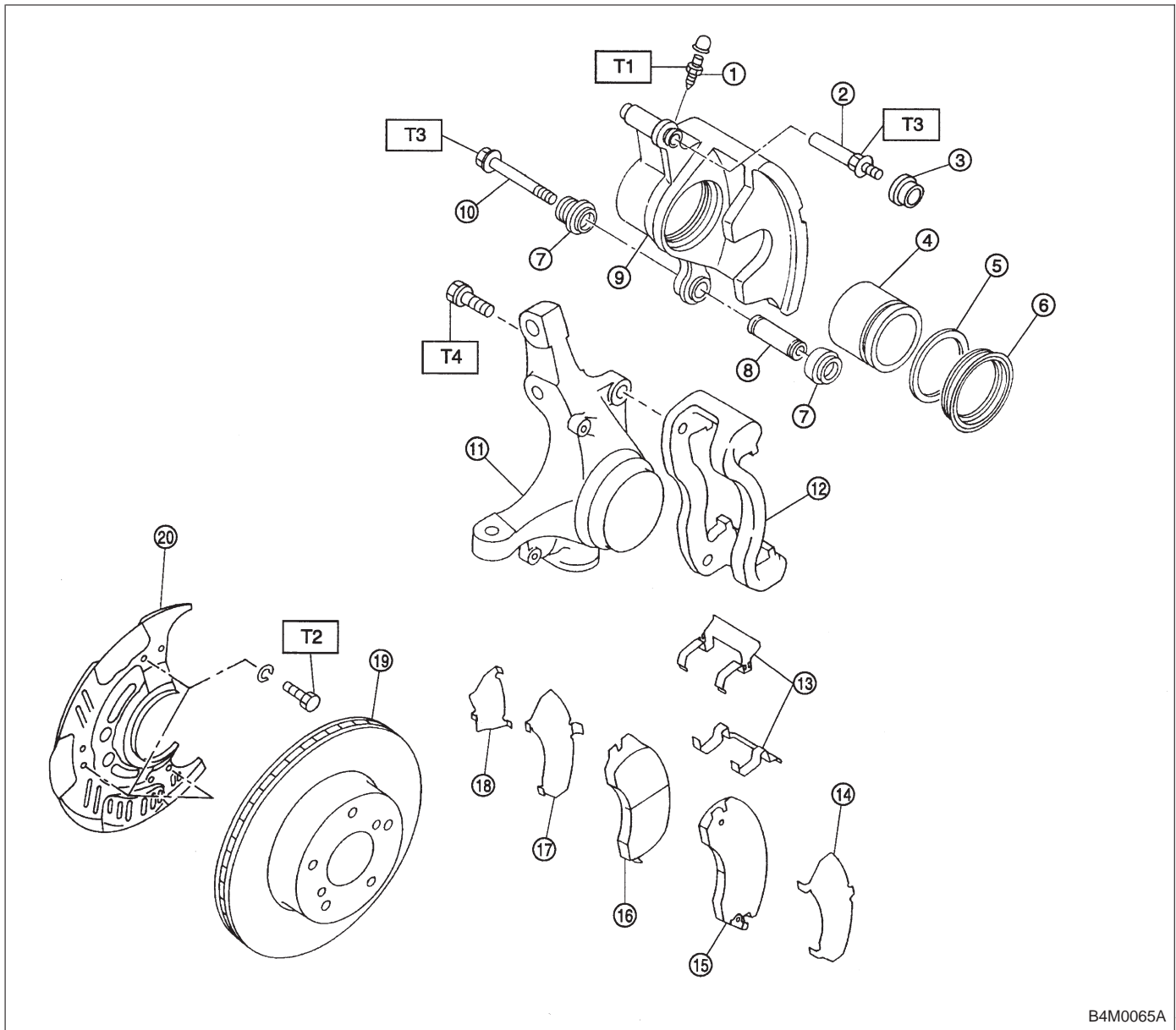


# 1. Front Disc Brake

1. EXCEPT 2500 cc AND OUTBACK (STEP ROOF) MODEL



B4M0065A

- ① Air bleeder screw
- ② Guide pin
- ③ Guide pin boot
- ④ Piston
- ⑤ Piston seal
- ⑥ Piston boot
- ⑦ Lock pin boot
- ⑧ Lock pin sleeve
- ⑨ Caliper body

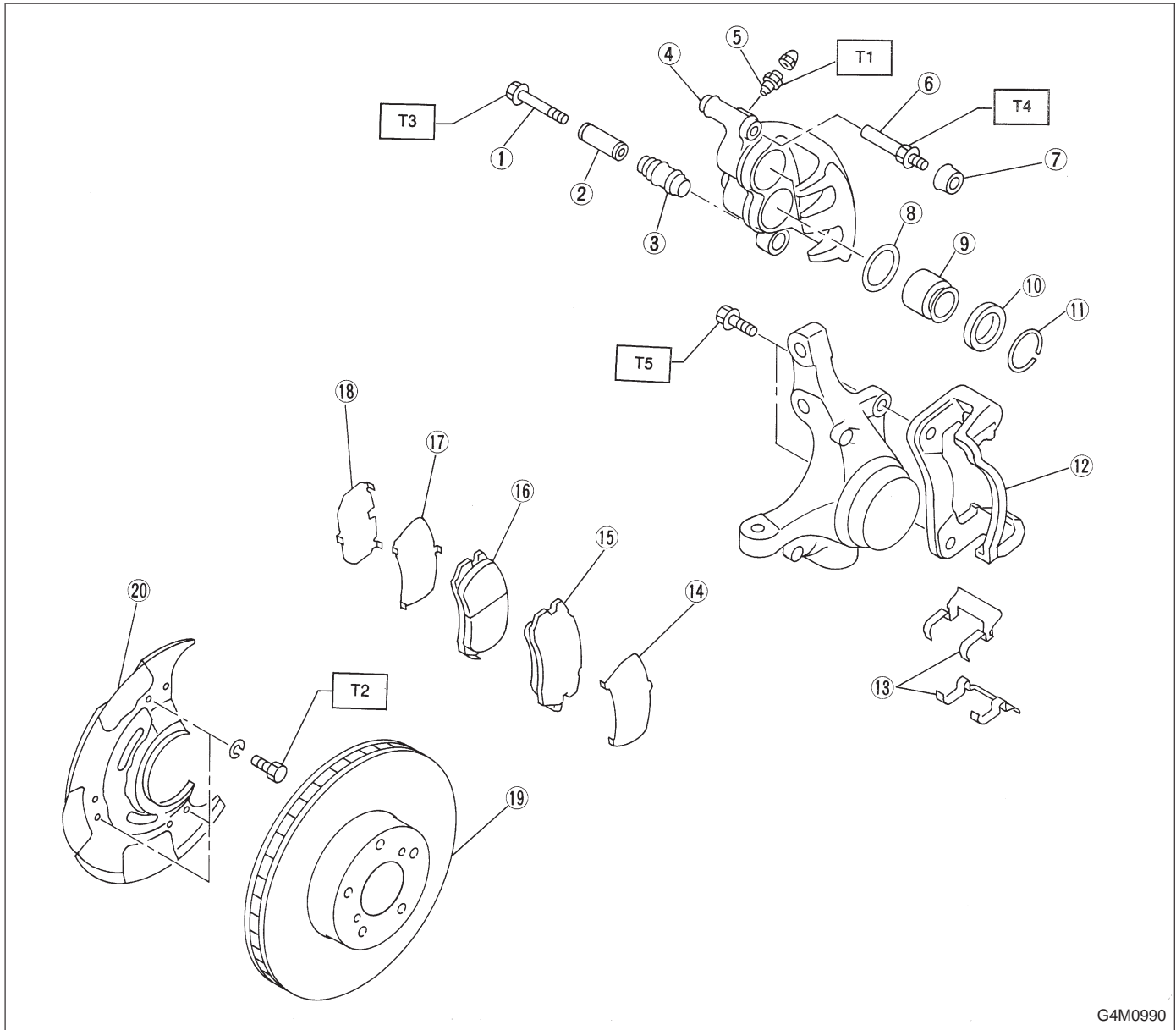
- ⑩ Lock pin
- ⑪ Housing
- ⑫ Support
- ⑬ Pad clip
- ⑭ Outer shim
- ⑮ Outer pad
- ⑯ Inner pad
- ⑰ Inner shim
- ⑱ Shim

- ⑲ Disc rotor
- ⑳ Disc cover

**Tightening torque: N·m (kg·m, ft·lb)**

- T1:  $8 \pm 1$  (0.8±0.1, 5.8±0.7)
- T2:  $18 \pm 5$  (1.8±0.5, 13.0±3.6)
- T3:  $39 \pm 5$  (4±0.5, 28.9±3.6)
- T4:  $78 \pm 10$  (8.0±1.0, 58±7)

2. 2500 cc AND OUTBACK (STEP ROOF) MODEL



G4M0990

- ① Lock pin
- ② Lock pin sleeve
- ③ Lock pin boot
- ④ Caliper body
- ⑤ Air bleeder screw
- ⑥ Guide pin
- ⑦ Guide pin boot
- ⑧ Piston seal
- ⑨ Piston

- ⑩ Piston boot
- ⑪ Boot ring
- ⑫ Support
- ⑬ Pad clip
- ⑭ Outer shim
- ⑮ Pad (Outside)
- ⑯ Pad (Inside)
- ⑰ Inner shim
- ⑱ Shim

- ⑲ Disc rotor
- ⑳ Disc cover

**Tightening torque: N·m (kg-m, ft-lb)**

- T1: 8±1 (0.8±0.1, 5.8±0.7)**
- T2: 18±5 (1.8±0.5, 13.0±3.6)**
- T3: 36±5 (3.7±0.5, 26.8±3.6)**
- T4: 49±5 (5.0±0.5, 36.2±3.6)**
- T5: 78±10 (8.0±1.0, 58±7)**