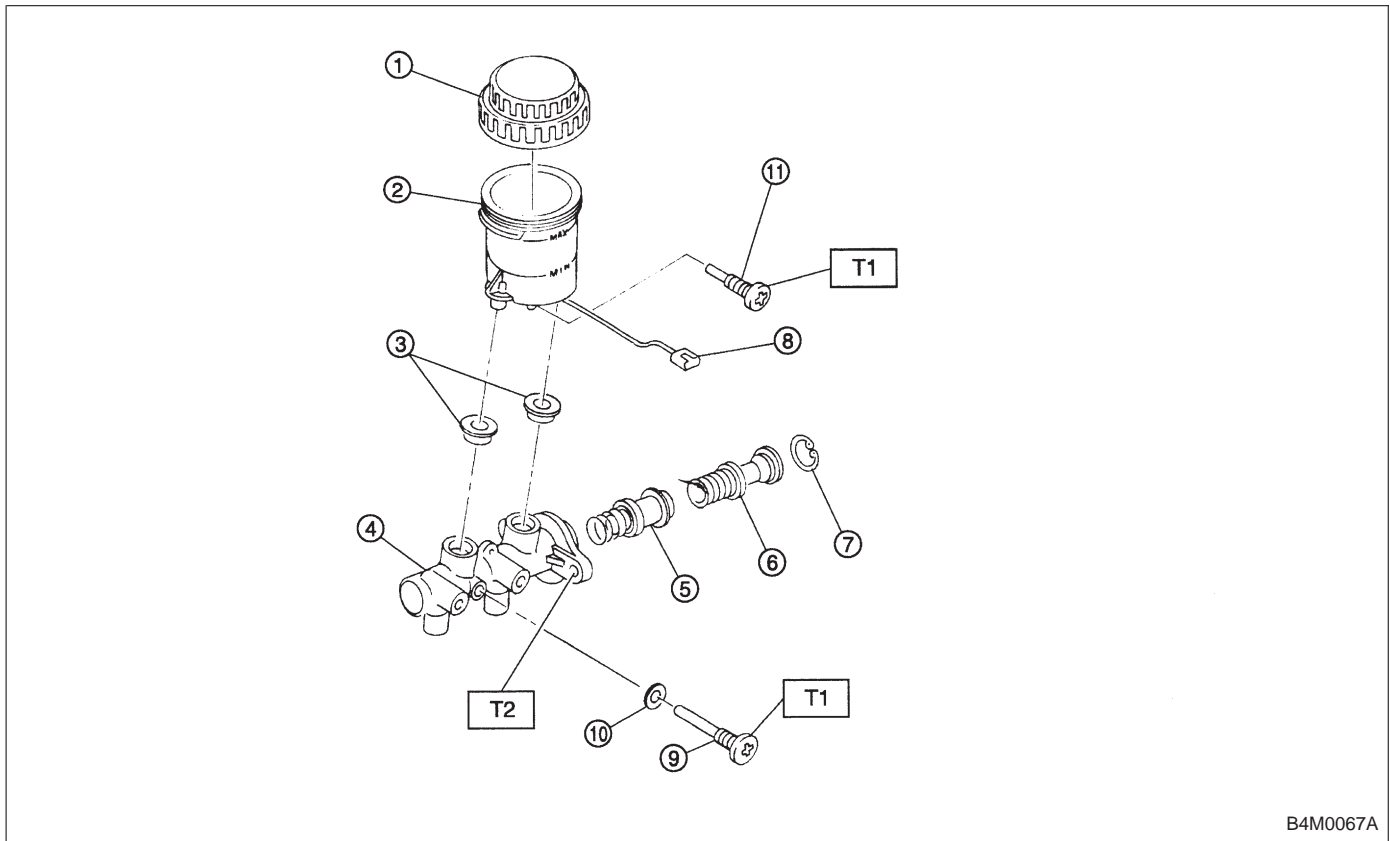


4. Master Cylinder

1. WITHOUT TCS



B4M0067A

- | | |
|--------------------|--------------------------------------|
| ① Cap | ⑦ C-ring |
| ② Reserve tank | ⑧ Level indicator ASSY |
| ③ Seal | ⑨ Supply valve stopper
(With ABS) |
| ④ Cylinder body | ⑩ Gasket (With ABS) |
| ⑤ Secondary piston | ⑪ Reservoir stopper bolt |
| ⑥ Primary piston | |

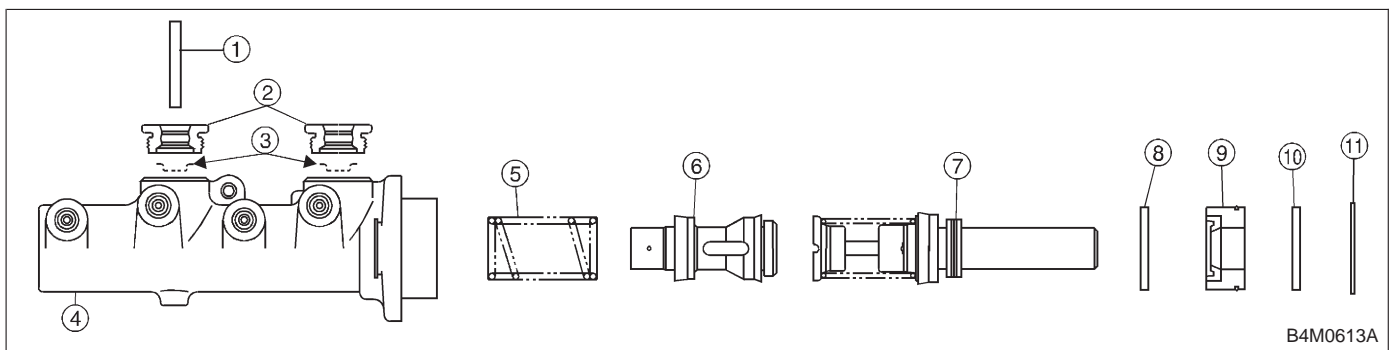
Tightening torque: N·m (kg·m, ft·lb)

T1: 2.2±0.7

(0.225±0.075, 1.6±0.5)

T2: 14±4 (1.4±0.4, 10.1±2.9)

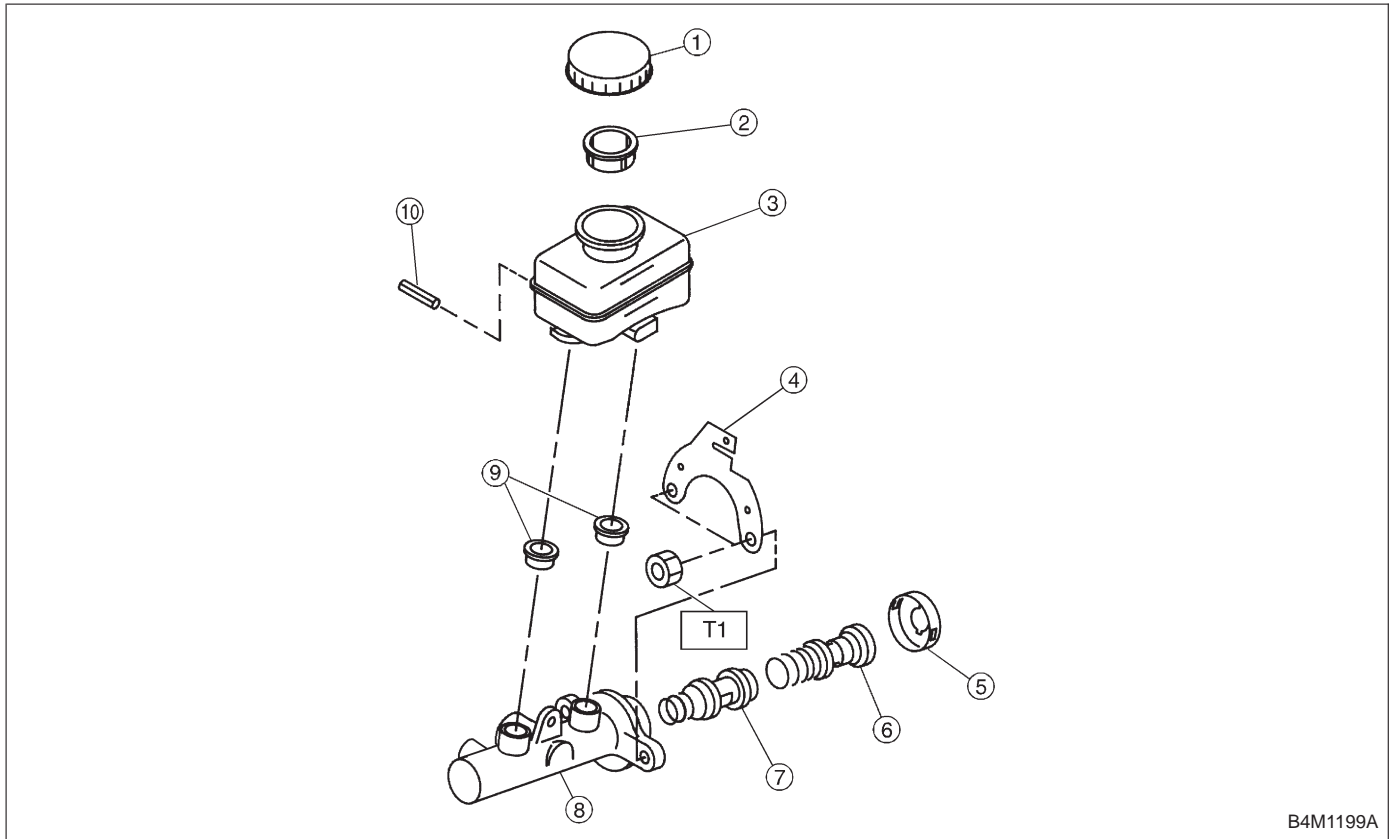
2. WITH TCS



B4M0613A

- | | | |
|-----------------|--------------------|-----------------|
| ① Cylinder pin | ⑤ Spring | ⑨ Bush |
| ② Seal | ⑥ Secondary piston | ⑩ Stop washer B |
| ③ Filter | ⑦ Primary piston | ⑪ C-ring |
| ④ Cylinder body | ⑧ Stop washer A | |

3. RHD MODEL



- ① Cap
- ② Filter
- ③ Reservoir tank
- ④ Bracket
- ⑤ Piston retainer

- ⑥ Primary piston
- ⑦ Secondary piston
- ⑧ Cylinder body
- ⑨ Seal
- ⑩ Pin

Tightening torque: N·m (kg·m, ft·lb)
T1: 14±4 (1.4±0.4, 10.1±2.9)