

1. Pedal

A: ON-CAR SERVICE

1. BRAKE PEDAL

1) Check position of pedal pad.

- ① Stop light switch
- ② Mat
- ③ Toe board
- ④ Brake booster operating rod

Pedal height: L
148 mm (5.83 in)

If it is not in specified value, adjust it by adjusting brake booster operating rod length.

2) Check free play by operating pedal by hand.

If it is not in specified value, adjust it by adjusting position of stop light switch.

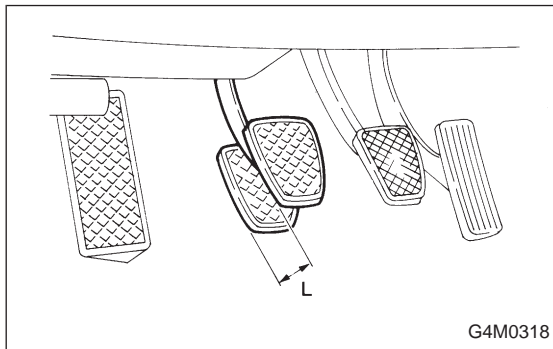
CAUTION:

Be careful not to rotate stop light switch.

Brake pedal free play: A
1 — 3 mm (0.04 — 0.12 in)
[Depress brake pedal pad with a force of less than 10 N (1 kg, 2 lb).]

Stop light switch lock nut tightening torque:
8±2 N·m (0.8±0.2 kg·m, 5.8±1.4 ft·lb)

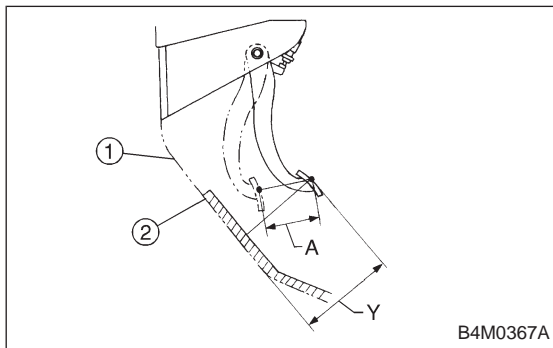
3) Apply grease to operating rod connecting pin to prevent it from wearing.



2. CLUTCH PEDAL

1) Check clutch pedal free play by operating pedal by hand.

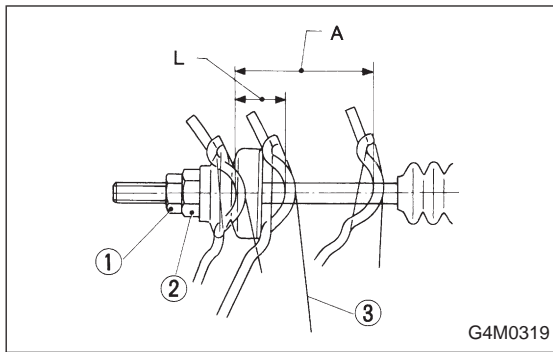
Free play: L (At clutch pedal pad)
10 — 20 mm (0.39 — 0.79 in)



Pedal height: Y
158 mm (6.22 in)

Pedal stroke: A
140 — 145 mm (5.51 — 5.71 in)

- ① Toe board
- ② Mat



2) If it is not in specified value, adjust it by turning adjusting nut on engine side end of clutch cable.

Free play: L

3 — 4 mm (0.12 — 0.16 in)

Full stroke: A

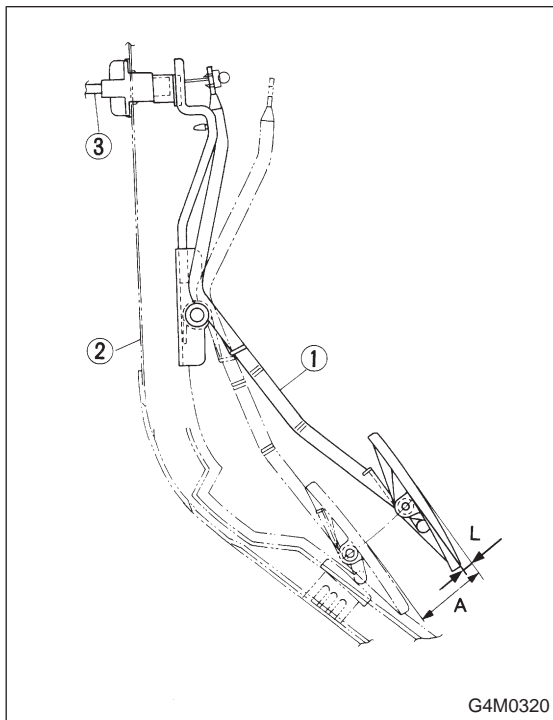
25.5 — 27 mm (1.004 — 1.063 in)

3) Apply grease to connecting portion of clutch pedal and clutch cable.

- ① Lock nut
- ② Adjusting nut
- ③ Release fork

Lock nut tightening torque:

5.9±1.5 N·m (0.60±0.15 kg-m, 4.3±1.1 ft-lb)



3. ACCELERATOR PEDAL

Check pedal stroke and free play by operating accelerator pedal by hand.

If it is not within specified value, adjust it by turning nut connecting accelerator cable to throttle body.

Free play at pedal pad: L

1 — 4 mm (0.04 — 0.16 in)

Stroke at pedal pad: A

50 — 55 mm (1.97 — 2.17 in)

- ① Accelerator pedal
- ② Toe board
- ③ Accelerator cable

Accelerator cable lock nut tightening torque:

14±4 N·m (1.4±0.4 kg-m, 10.1±2.9 ft-lb)

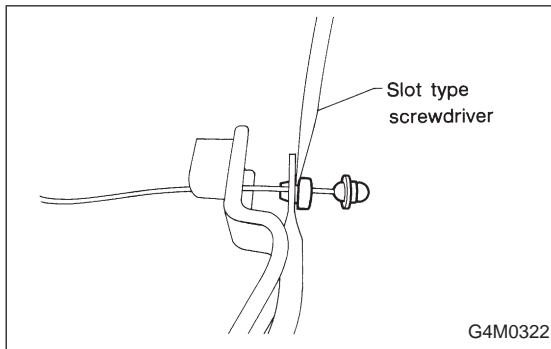
B: REMOVAL**1. ACCELERATOR PEDAL (LHD MODEL)**

- 1) Disconnect ground cable from battery.
- 2) Disconnect accelerator cable from throttle body.

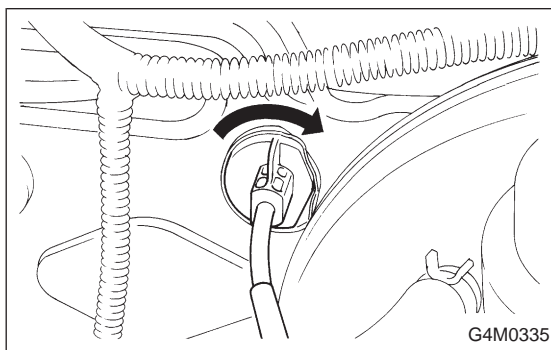
CAUTION:

Be careful not to kink accelerator cable.

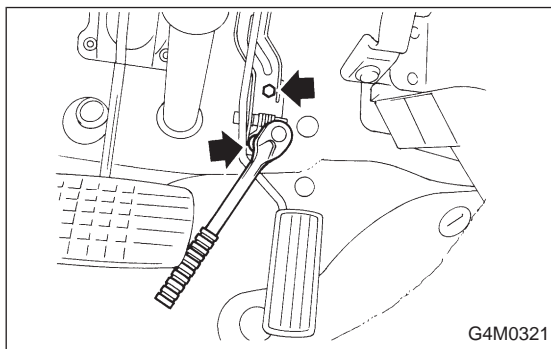
- 3) Remove instrument panel lower cover from instrument panel, and connector.



- 4) Disconnect accelerator cable from accelerator pedal lever.



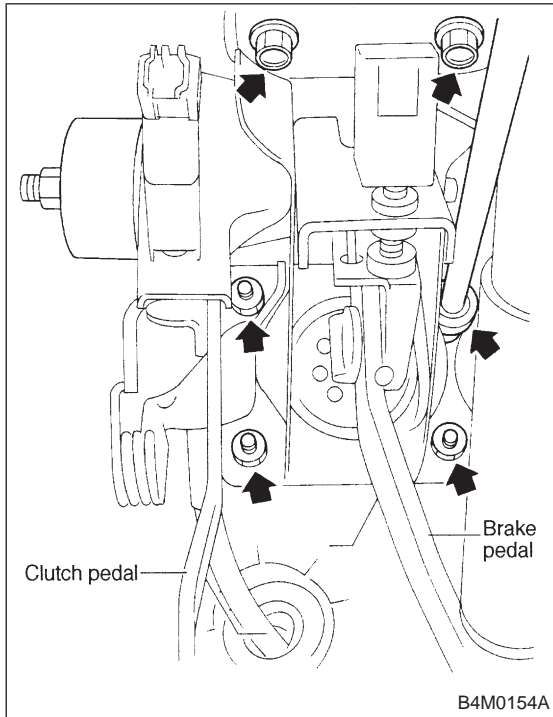
- 5) Working inside engine compartment, remove casing cap out of the toe board by turning it clockwise.
- 6) Pull out the cable from the toe board hole.



- 7) Remove accelerator pedal connecting bolt from accelerator pedal bracket.

2. BRAKE AND CLUTCH PEDAL (LHD MODEL)

- 1) Disconnect ground cable from battery.
- 2) Disconnect clutch cable from release lever.
- 3) Remove instrument panel lower cover from instrument panel.
- 4) Disconnect the following parts from pedal bracket.
 - (1) Operating rod of brake booster
 - (2) Electrical connectors (for stop light switch, etc.)
- 5) Remove clevis pin which secures pedal to push rod.

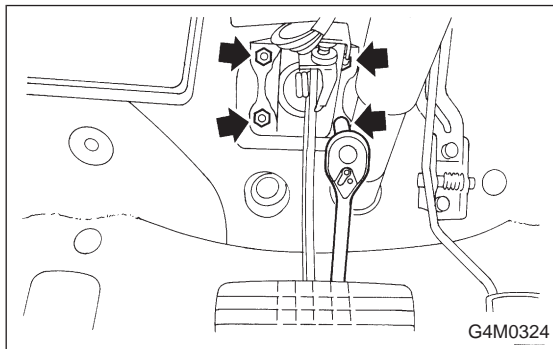


- 6) Remove bolts and nuts which secure brake and clutch pedals, and remove pedal bracket and clutch cable as a unit.

CAUTION:

Before removing clutch cable from toe board, remove grommet. Slowly remove clutch cable, being careful not to scratch it.

- 7) Depress clutch pedal, disconnect clutch cable from clutch pedal.



3. BRAKE PEDAL (LHD MODEL)

- 1) Disconnect ground cable from battery.
- 2) Remove instrument panel lower cover from instrument panel.
- 3) Remove clevis pin which secures brake pedal to brake booster operating rod. Also disconnect stop light switch connector.
- 4) Remove two bolts and four nuts which secure brake pedal to pedal.

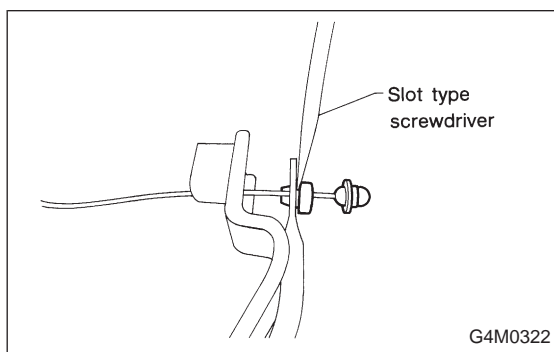
4. ACCELERATOR AND BRAKE PEDAL (RHD MODEL)

- 1) Disconnect negative cable from battery.
- 2) Disconnect accelerator cable from throttle body.

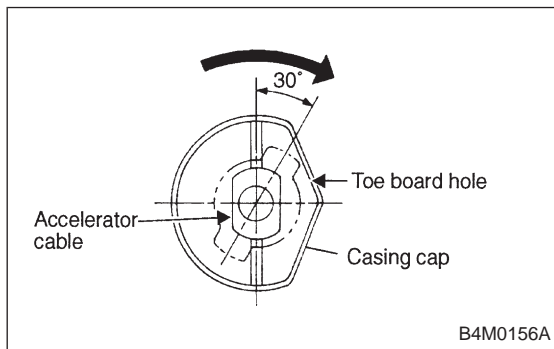
CAUTION:

Be careful not to kink accelerator cable.

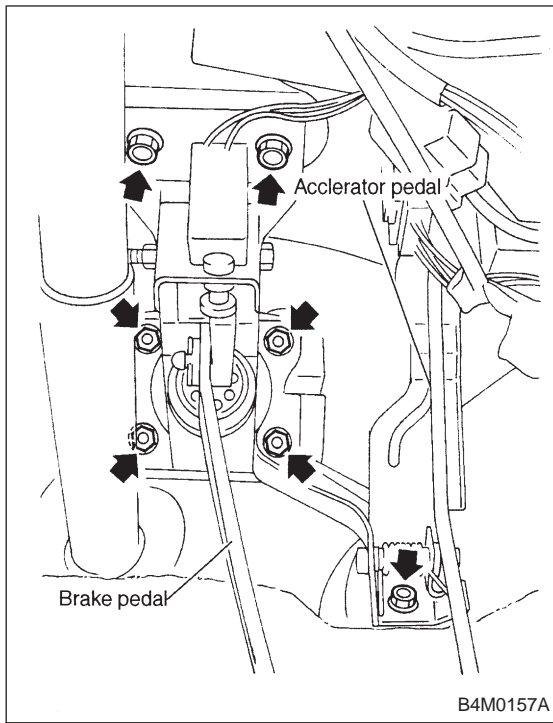
- 3) Remove instrument panel lower cover from instrument panel.
- 4) Remove clevis pin which secures brake pedal to brake booster operating rod. Also disconnect electrical connectors (for stop light switch, etc.).



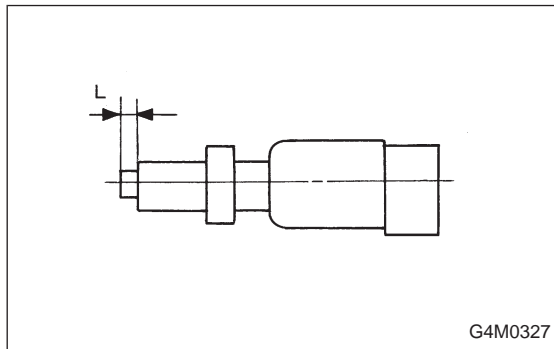
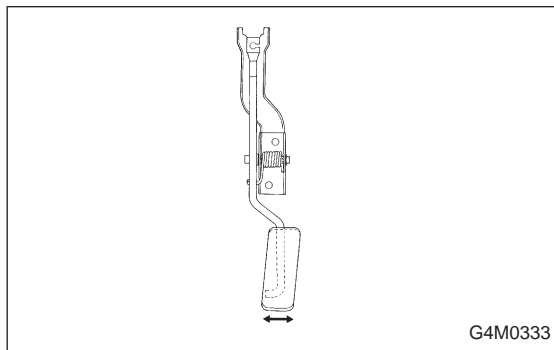
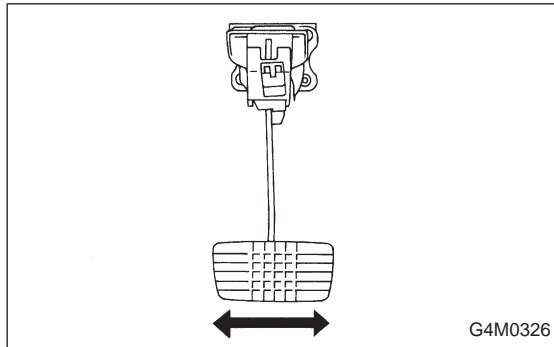
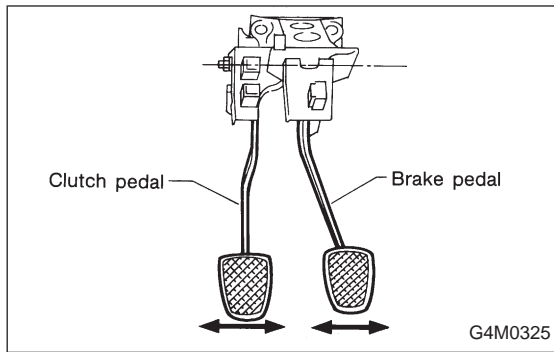
- 5) Disconnect accelerator cable from accelerator pedal lever.



- 6) Remove the casing cap out of the toe board by turning it clockwise.
- 7) Pull out the cable from the toe board hole.



8) Remove nuts and bolts which secure pedal bracket.



C: INSPECTION

1. BRAKE AND CLUTCH PEDALS

Move brake and clutch pedal pads in the lateral direction with a force of approximately 10 N (1 kg, 2 lb) to ensure pedal deflection is in specified range.

Deflection of brake and clutch pedal:

Service limit

5.0 mm (0.197 in) or less

CAUTION:

If excessive deflection is noted, replace bushings with new ones.

2. ACCELERATOR PEDAL

Lightly move pedal pad in lateral the direction to ensure pedal deflection is in specified range.

Deflection of accelerator pedal:

Service limit

5.0 mm (0.197 in) or less

CAUTION:

If excessive deflection is noted, replace bushing and clip with new ones.

3. STOP LIGHT SWITCH

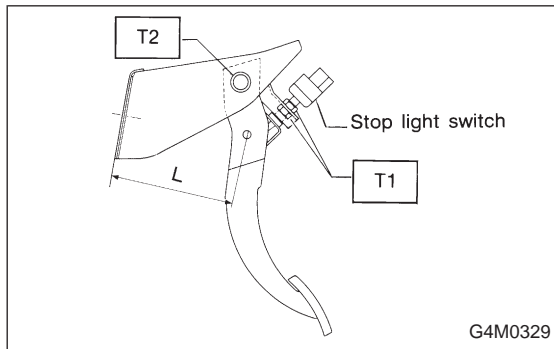
If stop light switch does not operate properly (or if it does not stop at the specified position), replace with a new one.

Specified position: L

$2.8^{+1.5}_0$ mm (0.110 $^{+0.059}_0$ in)

D: ASSEMBLY**1. BRAKE AND CLUTCH PEDAL**

- 1) Attach stop light switch, etc. to pedal bracket temporarily.
- 2) Clean inside of bores of clutch pedal and brake pedal, apply grease, and set bushings into bores.
- 3) Align bores of pedal bracket, clutch pedal and brake pedal, attach brake pedal return spring and clutch pedal effort reducing spring (vehicle with hill holder), and then install pedal bolt.

**Tightening torque:**

T2: 29 ± 7 N·m (3.0 ± 0.7 kg-m, 21.7 ± 5.1 ft-lb)

NOTE:

Clean up inside of bushings and apply grease before installing spacer.

- 4) Set brake pedal position by adjusting position of stop light switch.

Pedal position: L

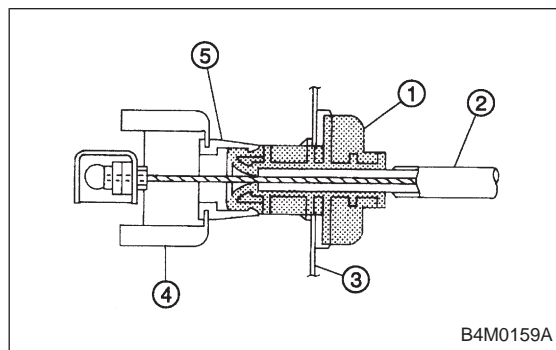
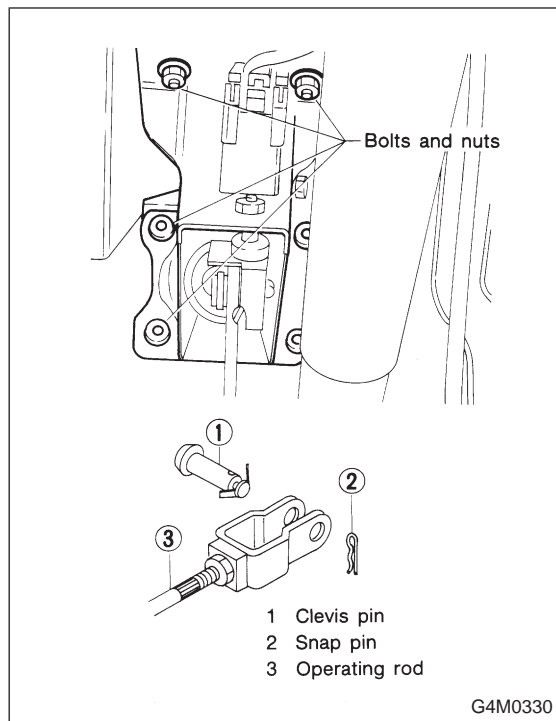
125.9 mm (4.96 in)

Tightening torque:

T1: 8 ± 2 N·m (0.8 ± 0.2 kg-m, 5.8 ± 1.4 ft-lb)

2. ACCELERATOR PEDAL

Clean and apply grease to spacer and inside bore of accelerator pedal. Install accelerator pedal onto pedal bracket.

**E: INSTALLATION**

1) Installation is in the reverse order of removal procedures.

CAUTION:

- Be careful not to bend clutch cable too much.
- Never fail to cover outer cable end with boot.
- Be careful not to kink accelerator cable.

● Make sure that holder and casing cap are securely connected.

- ① Casing cap
- ② Accelerator cable
- ③ Toe board
- ④ Accelerator pedal bracket
- ⑤ Holder

2) Adjustment after pedal installation.
<Ref. to 4-5 [W1A1].>