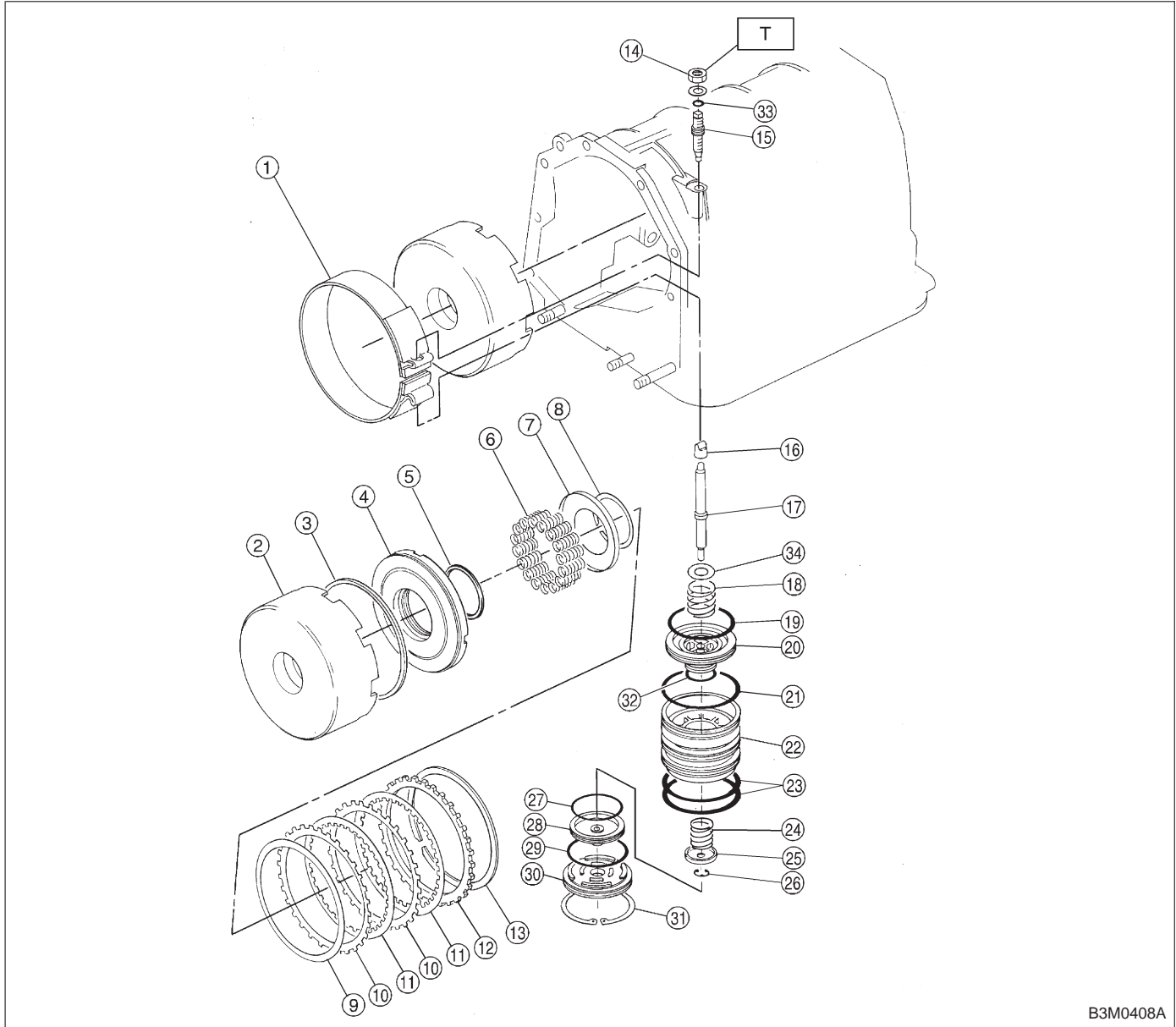


6. Reverse Clutch and Band Brake



B3M0408A

- | | | |
|-----------------------|------------------------------|---------------------------|
| ① Brake band | ⑭ Lock nut | ⑳ Lathe cut seal ring |
| ② Reverse clutch drum | ⑮ Brake band adjusting screw | ㉑ Band servo piston (3-4) |
| ③ Lip seal | ⑯ Strut | ㉒ O-ring |
| ④ Piston | ⑰ Band servo piston stem | ㉓ O.D. servo retainer |
| ⑤ Lathe cut seal ring | ⑱ Spring | ㉔ Snap ring |
| ⑥ Spring | ⑲ Lathe cut seal ring | ㉕ Lathe cut seal ring |
| ⑦ Spring retainer | ㉚ Band servo piston (1-2) | ㉖ O-ring |
| ⑧ Snap ring | ㉛ O-ring | ㉗ Washer |
| ⑨ Dish plate | ㉜ Retainer | |
| ⑩ Driven plate | ㉝ O-ring | |
| ⑪ Drive plate | ㉞ Spring | |
| ⑫ Retaining plate | ㉟ Retainer | |
| ⑬ Snap ring | ㊱ Circlip | |

Tightening torque: N·m (kg·m, ft·lb)
T: 26±2 (2.7±0.2, 19.5±1.4)