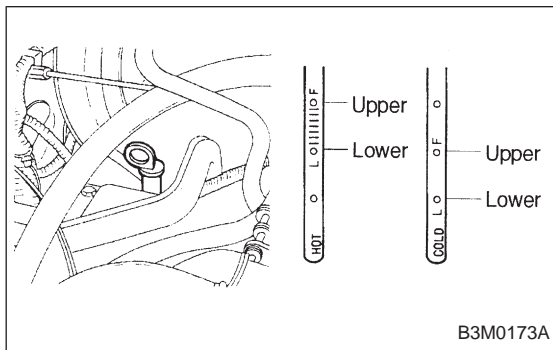


1. Supplemental Restraint System "Airbag"

Airbag system wiring harness is routed near the transmission control module (TCM).

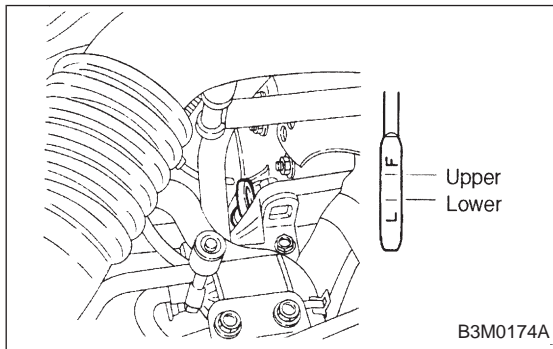
- All Airbag system wiring harness and connectors are colored yellow. Do not use electrical test equipment on these circuit.
- Be careful not to damage Airbag system wiring harness when performing diagnostics and servicing the TCM.



2. Pre-inspection

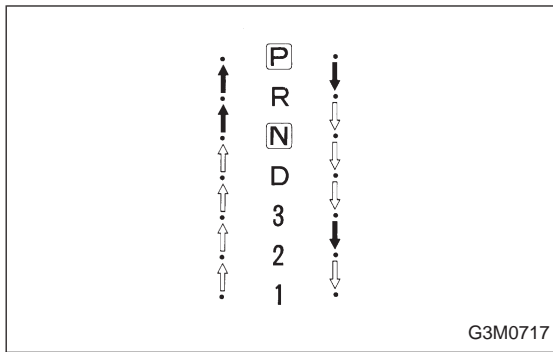
1. ATF LEVEL

Make sure that ATF level is in the specification.



2. FRONT DIFFERENTIAL OIL LEVEL

Make sure that front differential oil level is in the specification.



3. OPERATION OF SHIFT SELECTOR LEVER

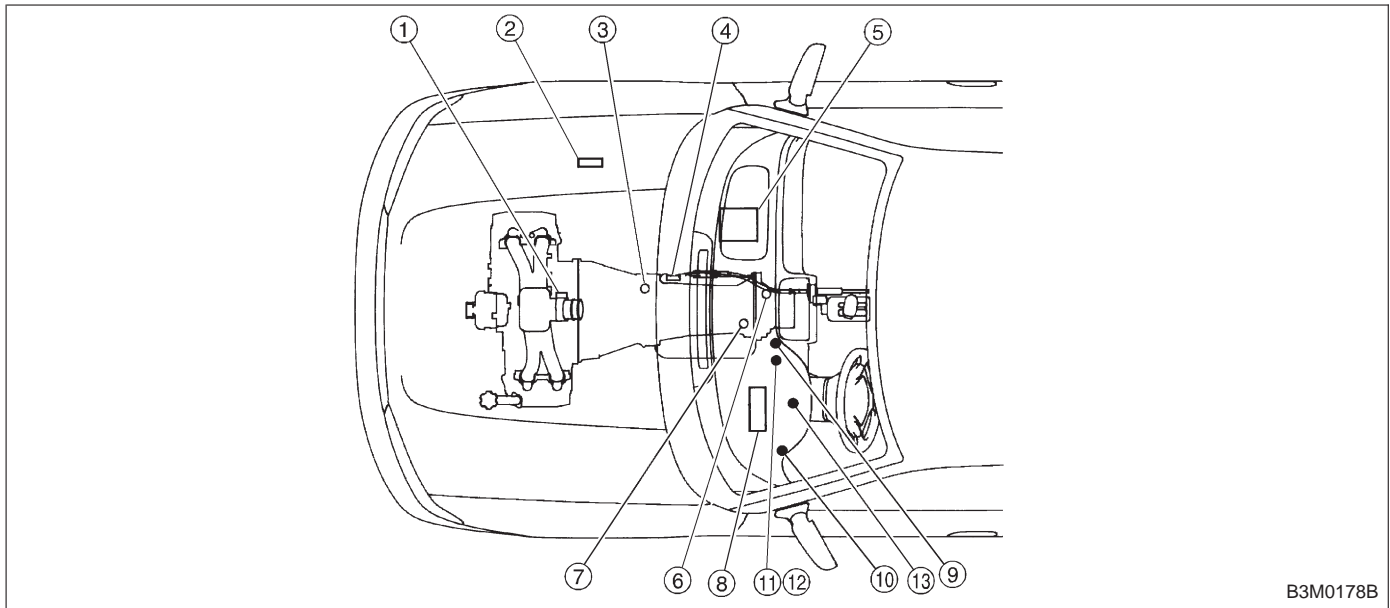
WARNING:

Stop the engine while checking operation of selector lever.

- 1) Check that selector lever does not move from “N” to “R” without pushing the button.
- 2) Check that selector lever does not move from “R” to “P” without pushing the button.
- 3) Check that selector lever does not move from “P” to “R” without pushing the button.
- 4) Check that selector lever does not move from “3” to “2” without pushing the button.

3. Electrical Components Location

1. SENSOR AND CONTROL MODULE



- | | |
|---|--|
| <ul style="list-style-type: none"> ① Throttle position sensor ② Dropping resistor ③ Vehicle speed sensor 2 ④ Inhibitor switch ⑤ ECM ⑥ Vehicle speed sensor 1 (AWD) ⑦ Vehicle speed sensor 1 (FWD) ⑧ TCM | <ul style="list-style-type: none"> ⑨ Data link connector (for Subaru select monitor only) ⑩ Data link connector (for Subaru select monitor and OBD-II general scan tool) ⑪ Diagnosis connector ⑫ Diagnosis terminal ⑬ AT OIL TEMP indicator light (AT diagnostic indicator light) |
|---|--|