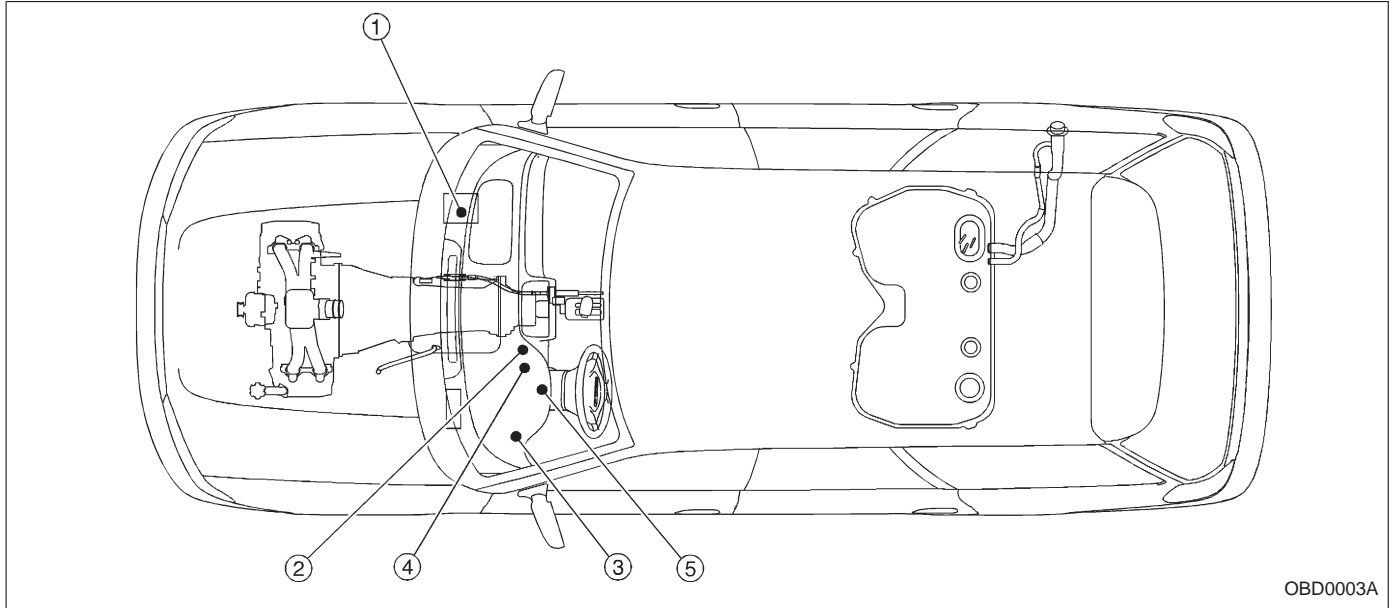


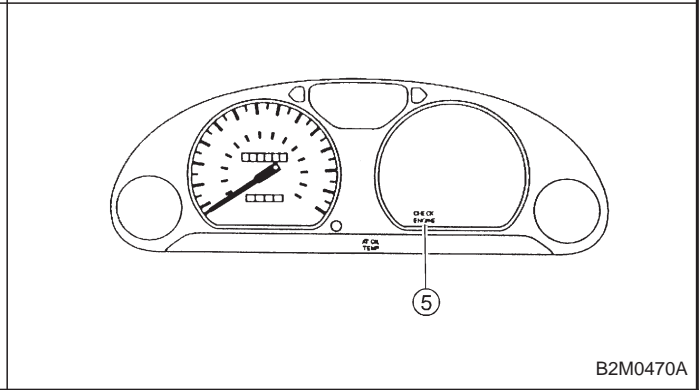
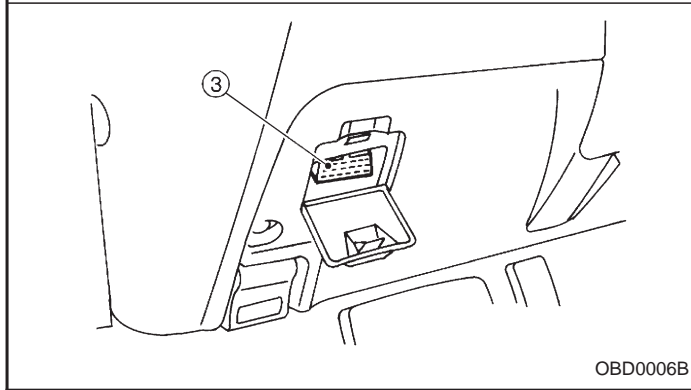
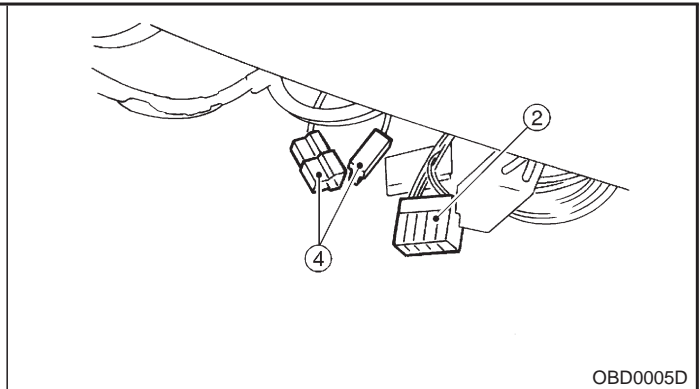
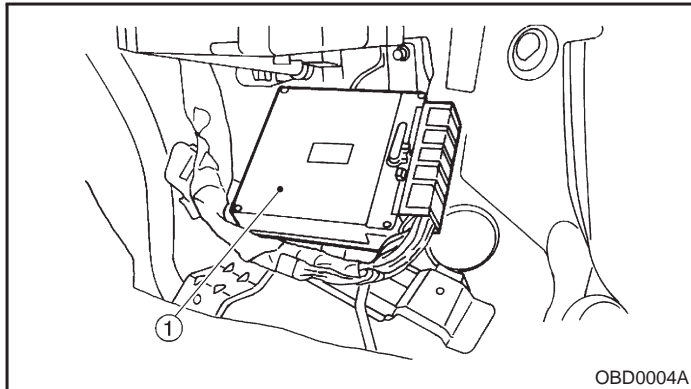
2. Electrical Components Location

A: ENGINE

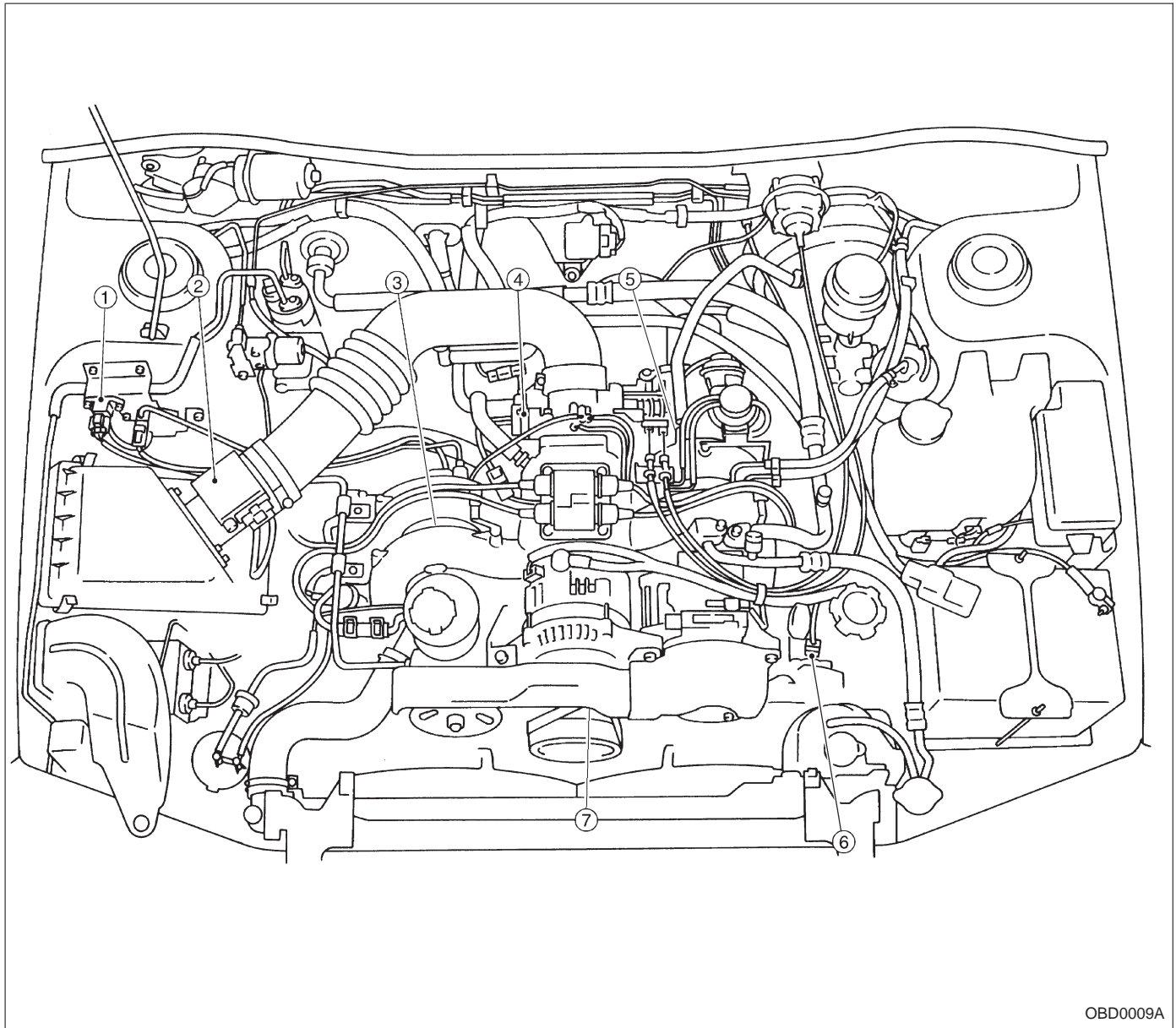
1. MODULE



- ① Engine control module (ECM)
- ② Data link connector (for Subaru select monitor only)
- ③ Data link connector (for Subaru select monitor and OBD-II general scan tool)
- ④ Test mode connector
- ⑤ CHECK ENGINE malfunction indicator lamp (MIL)

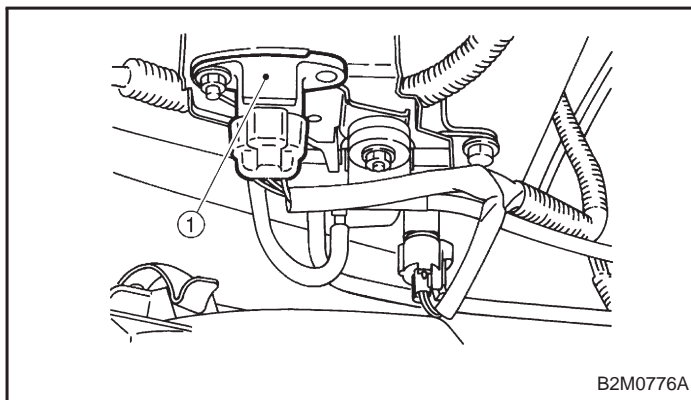


2. SENSOR

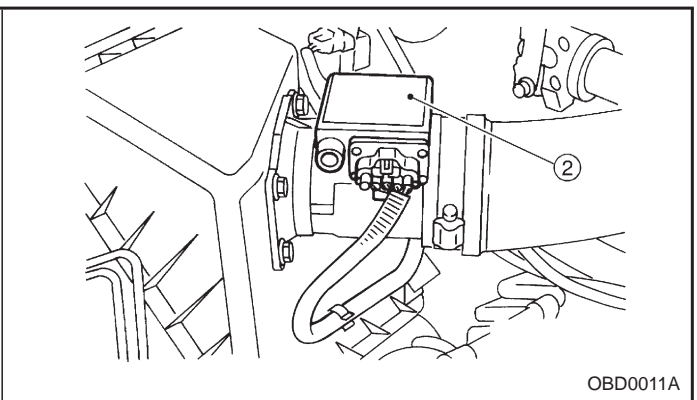


OBD0009A

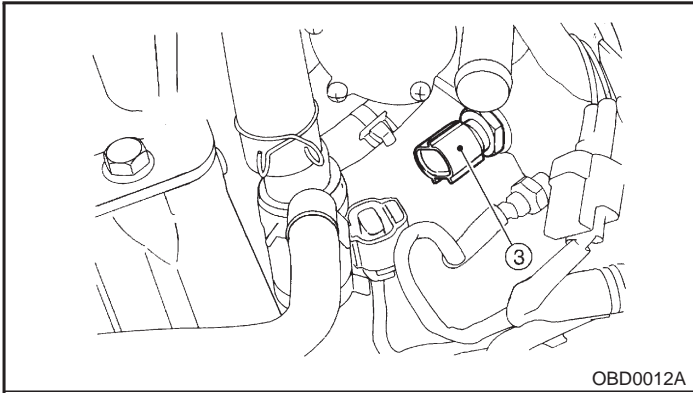
- | | |
|-------------------------------------|------------------------------|
| ① Pressure sensor | ⑤ Knock sensor |
| ② Mass air flow sensor | ⑥ Camshaft position sensor |
| ③ Engine coolant temperature sensor | ⑦ Crankshaft position sensor |
| ④ Throttle position sensor | |



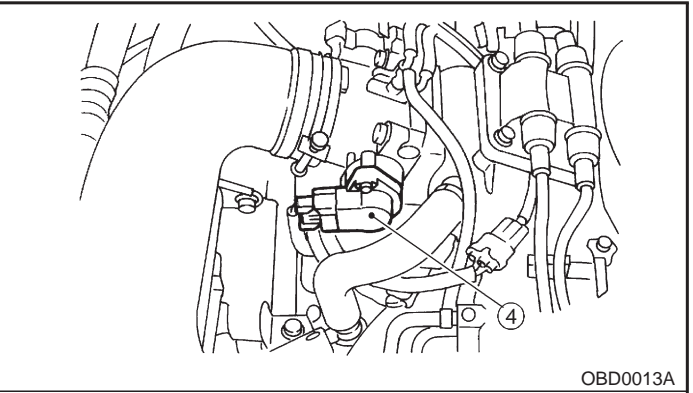
B2M0776A



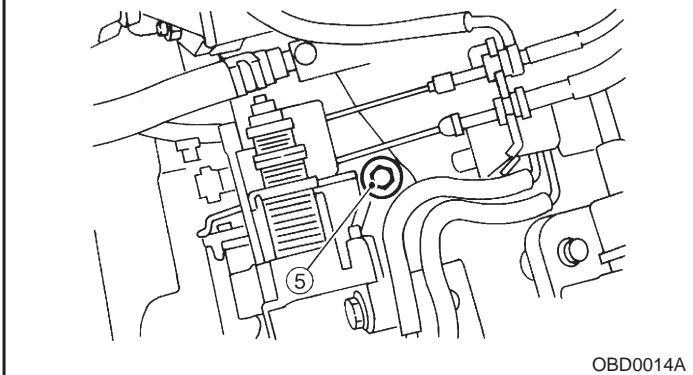
OBD0011A



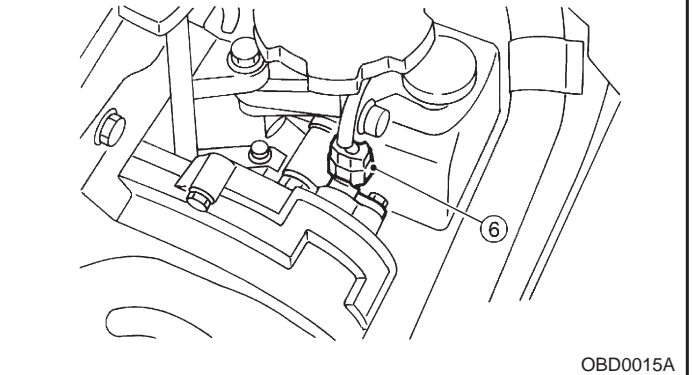
OBD0012A



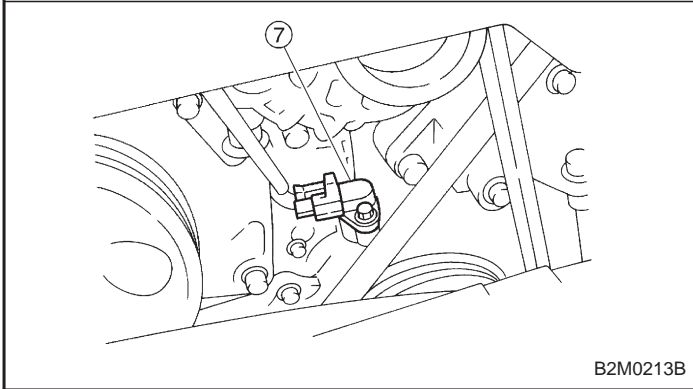
OBD0013A



OBD0014A

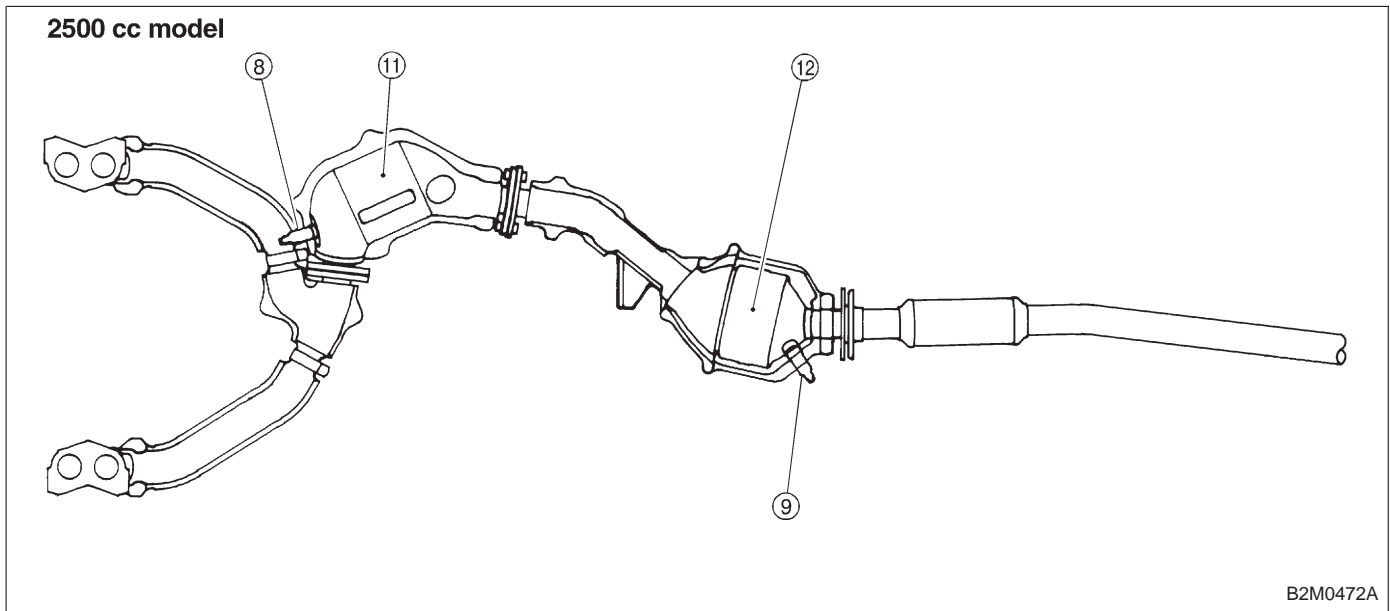
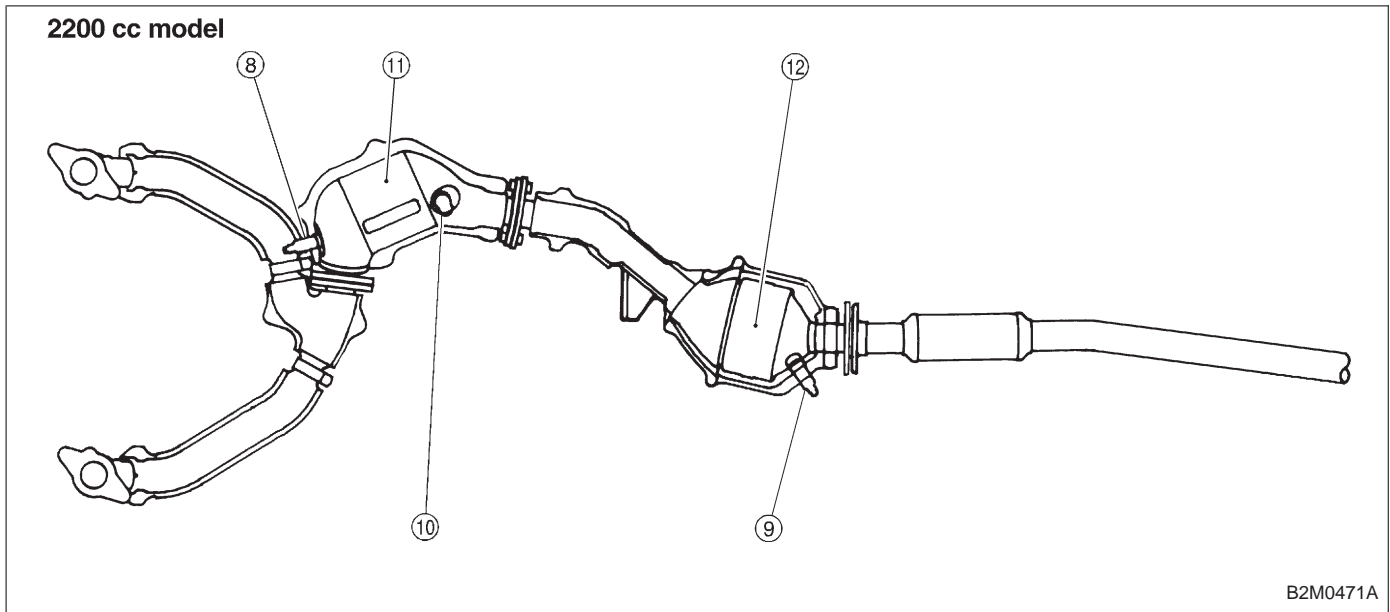


OBD0015A



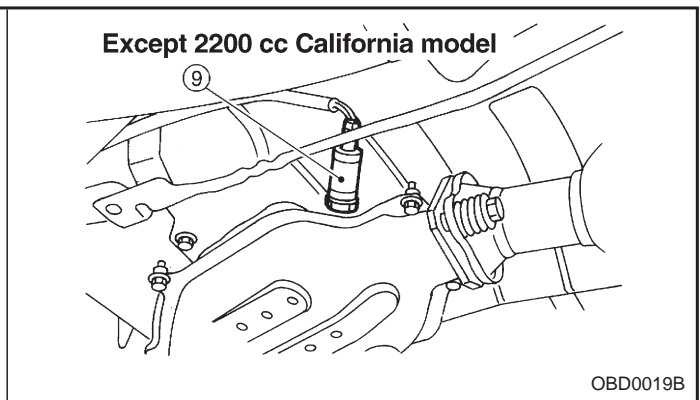
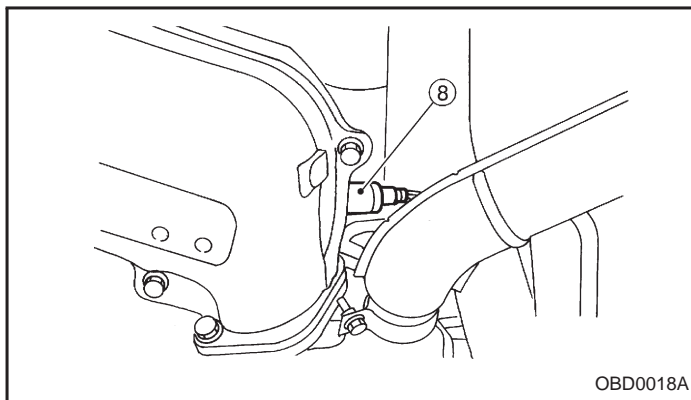
B2M0213B

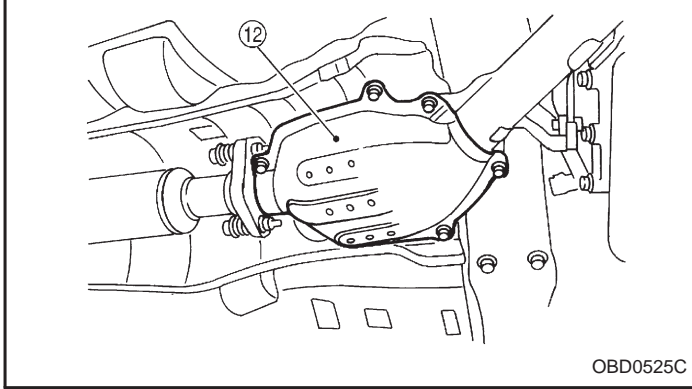
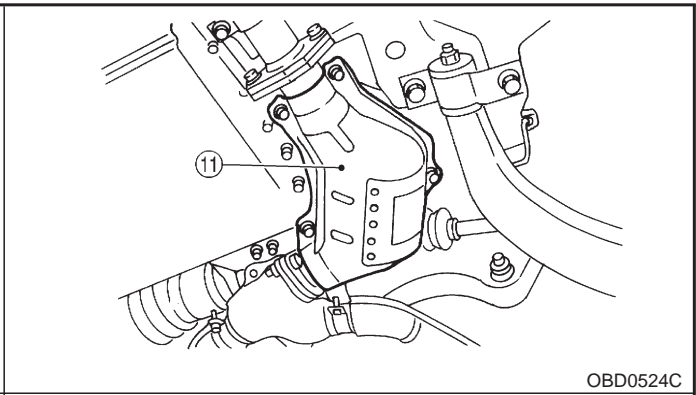
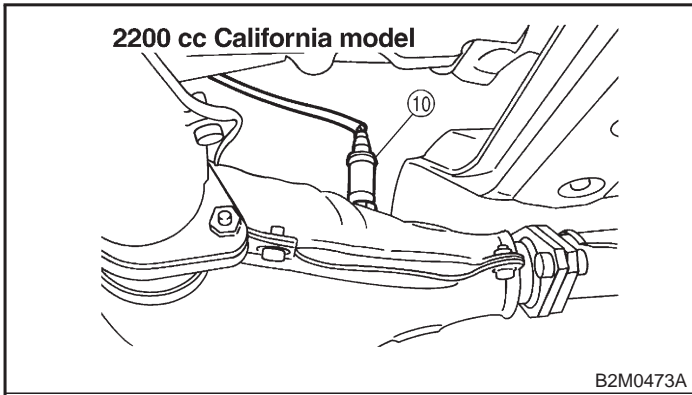
SUBARU.

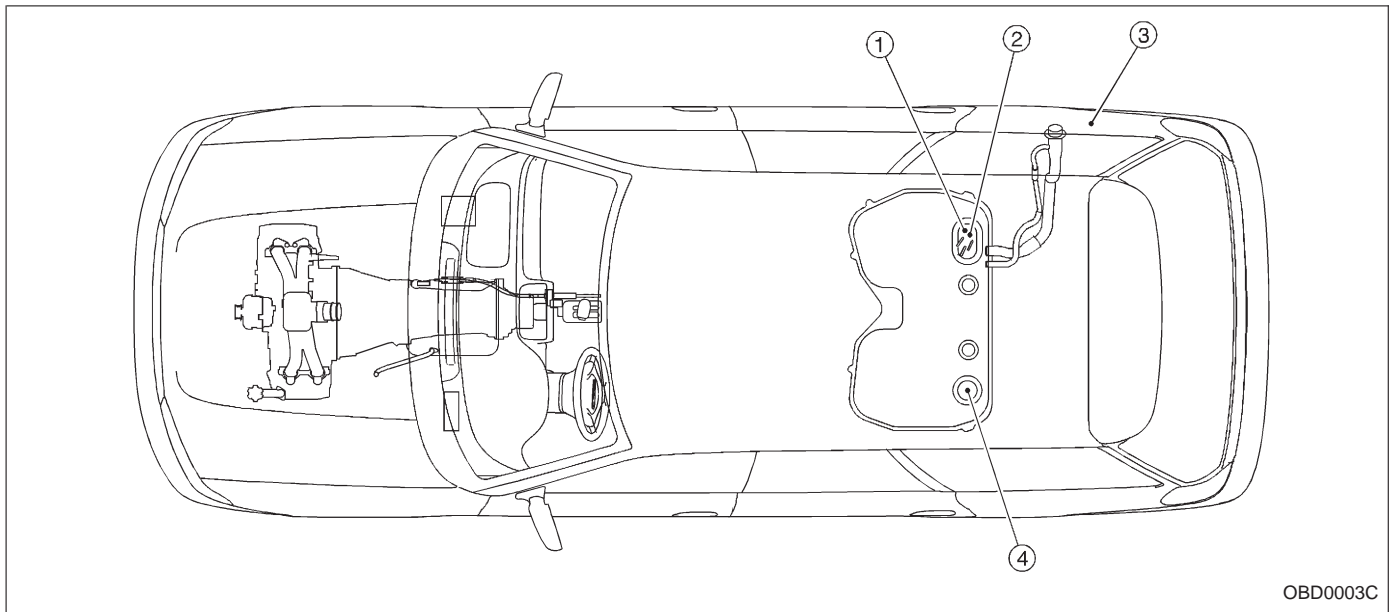


- ⑧ Front oxygen sensor
- ⑨ Rear oxygen sensor (Except 2200 cc California model)
- ⑩ Rear oxygen sensor (2200 cc California model)

- ⑪ Front catalytic converter
- ⑫ Rear catalytic converter

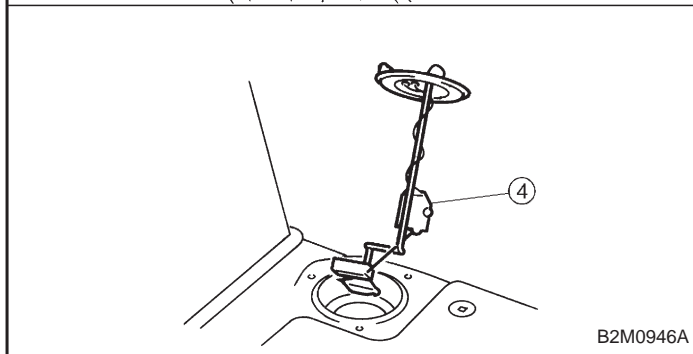
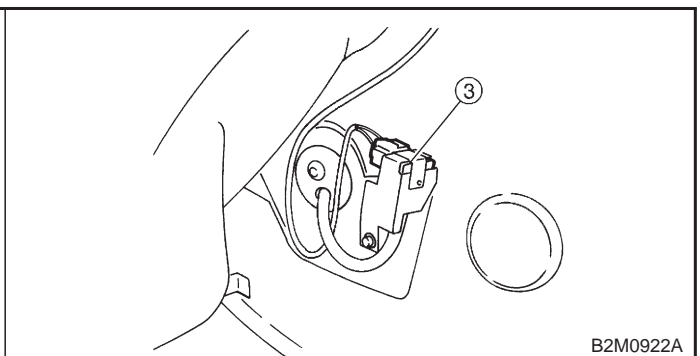
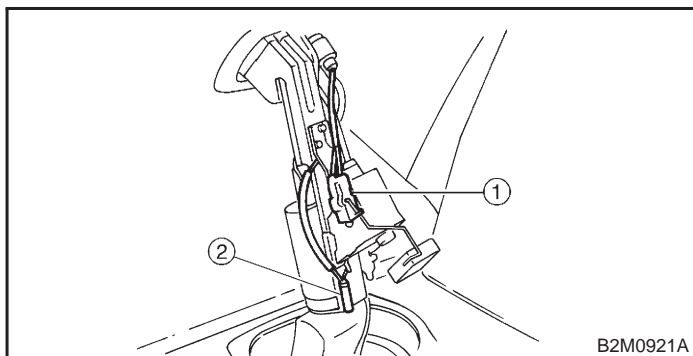






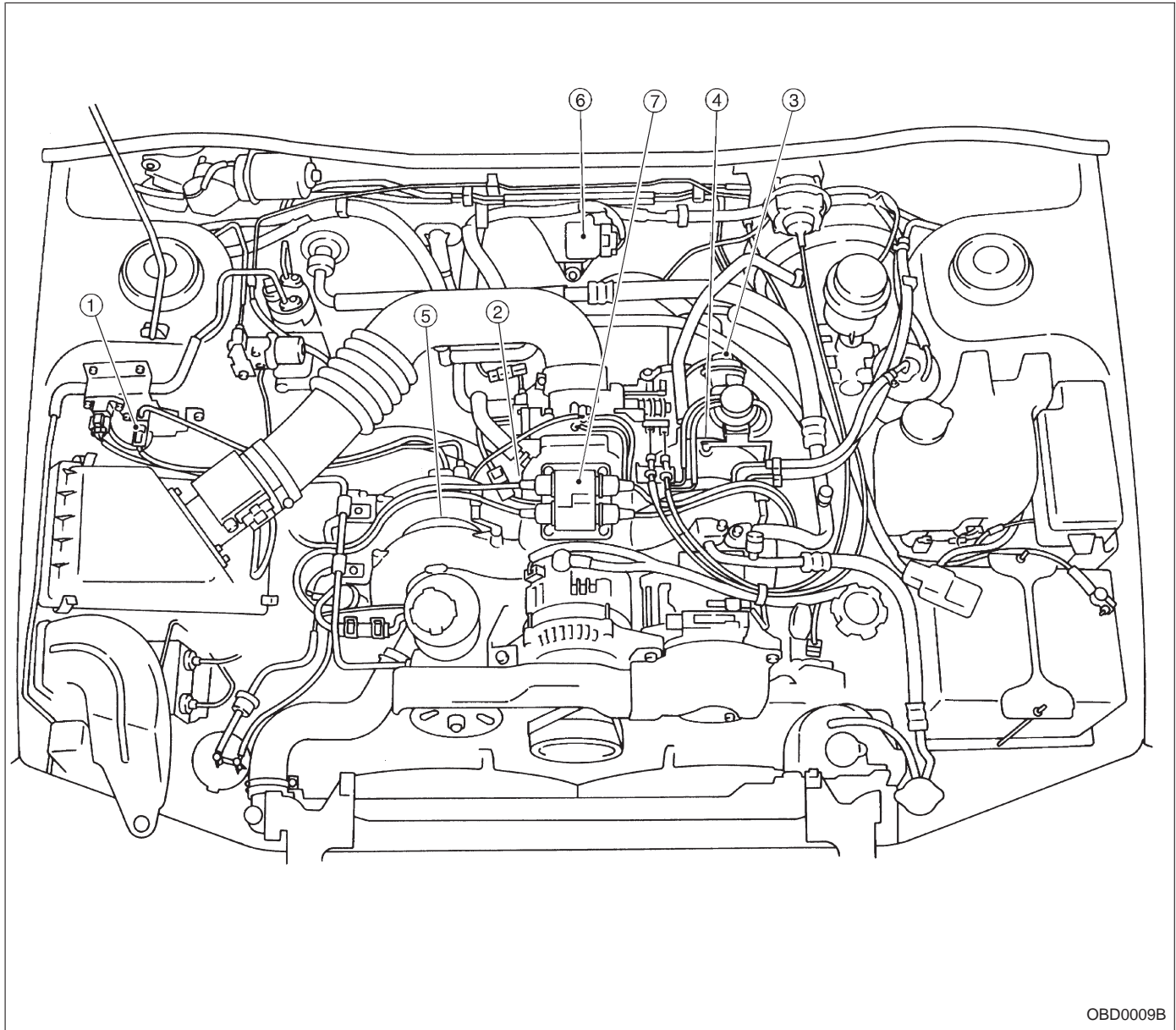
- ① Fuel level sensor
- ② Fuel temperature sensor

- ③ Fuel tank pressure sensor
- ④ Fuel sub level sensor



SUBARU.

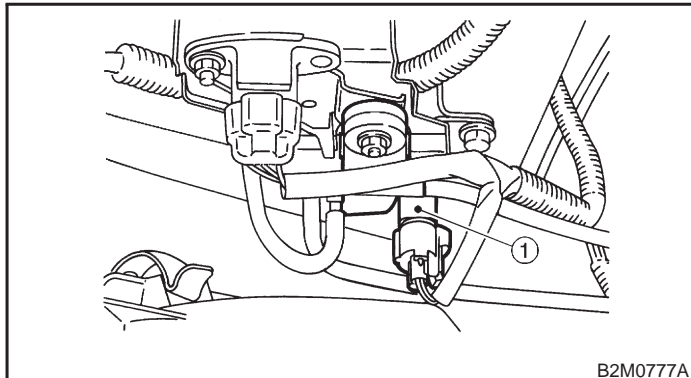
3. SOLENOID VALVE, EMISSION CONTROL SYSTEM PARTS AND IGNITION SYSTEM PARTS



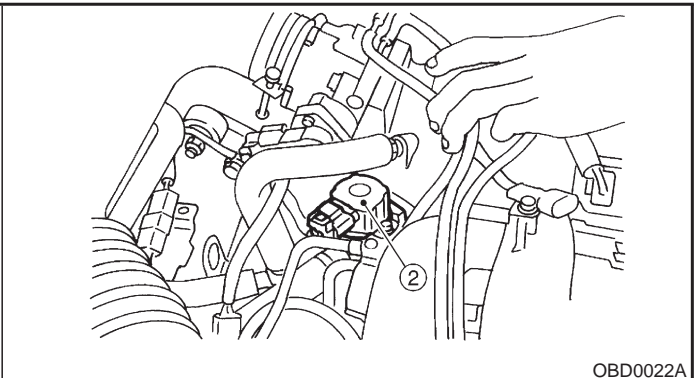
OBD0009B

- ① Pressure sources switching solenoid valve
- ② Idle air control solenoid valve
- ③ EGR valve (AT vehicles only)
- ④ EGR control solenoid valve (AT vehicles only)

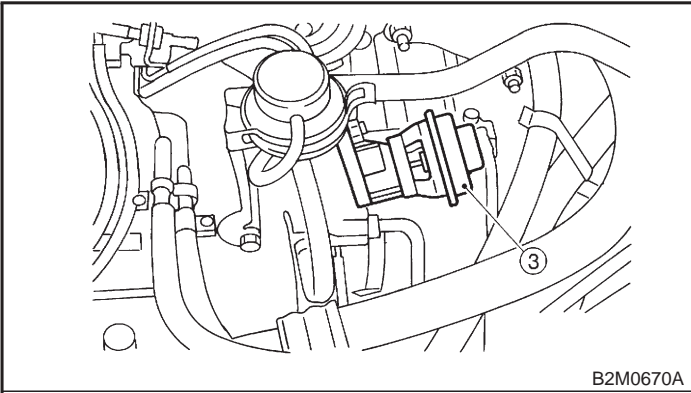
- ⑤ Purge control solenoid valve
- ⑥ Ignitor
- ⑦ Ignition coil



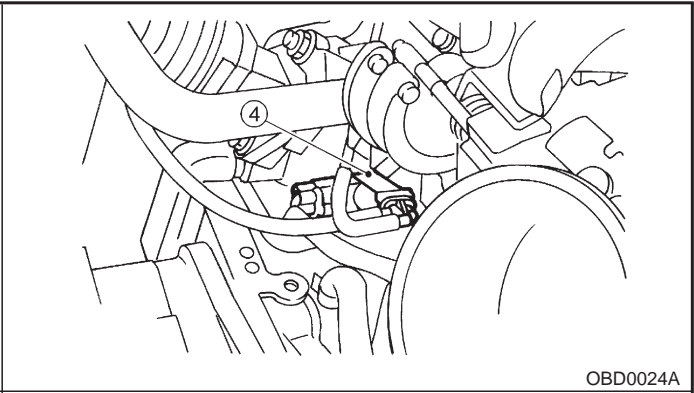
B2M0777A



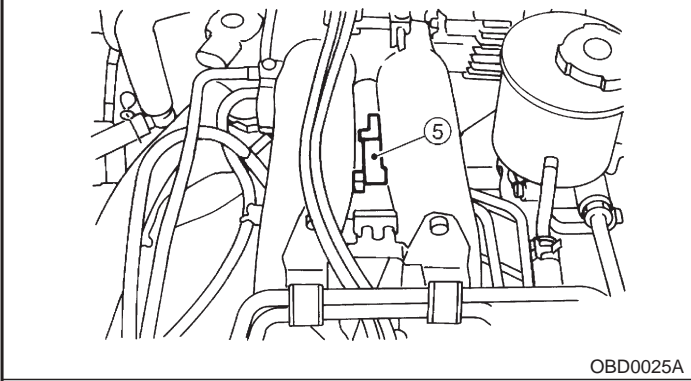
OBD0022A



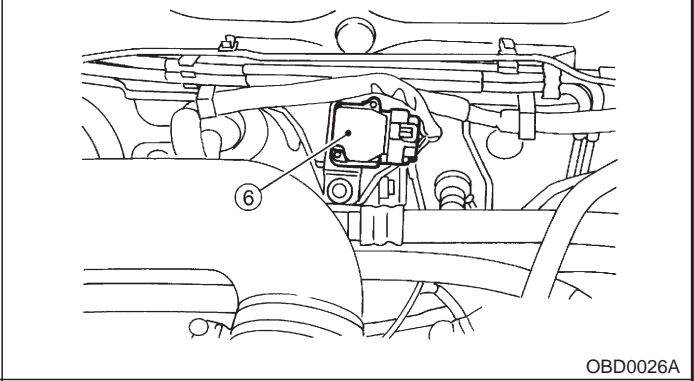
B2M0670A



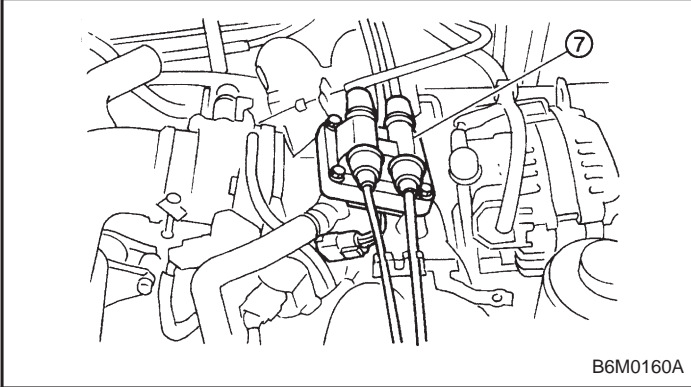
OBD0024A



OBD0025A

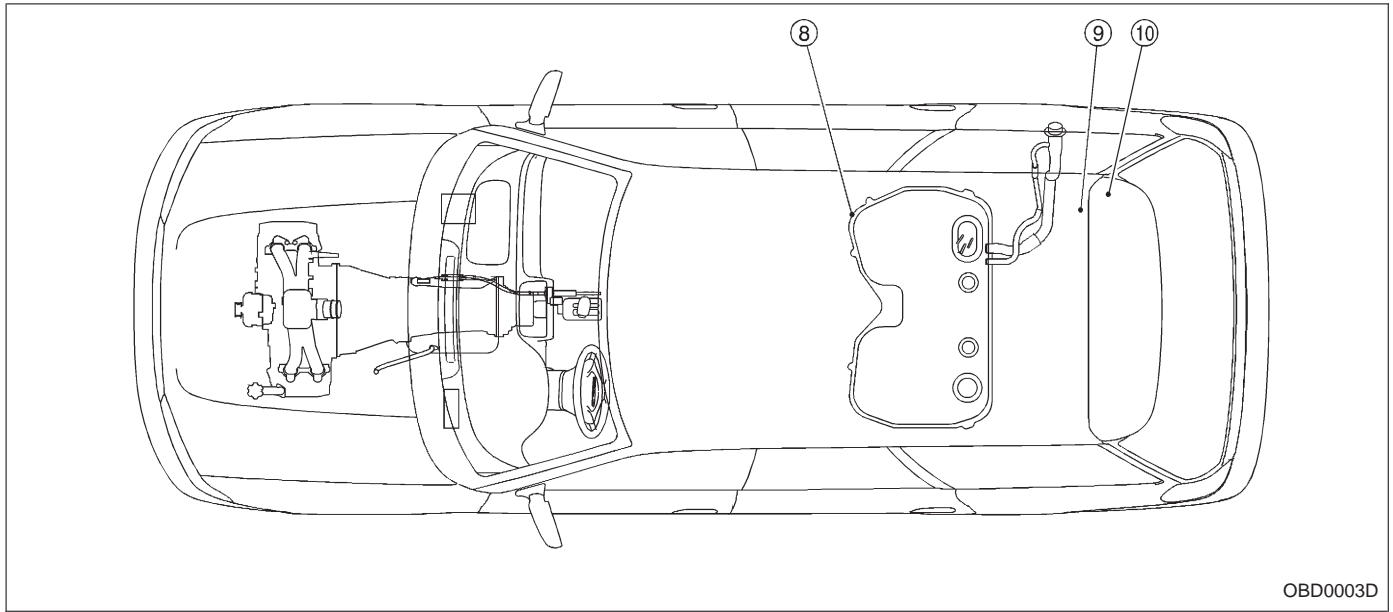


OBD0026A



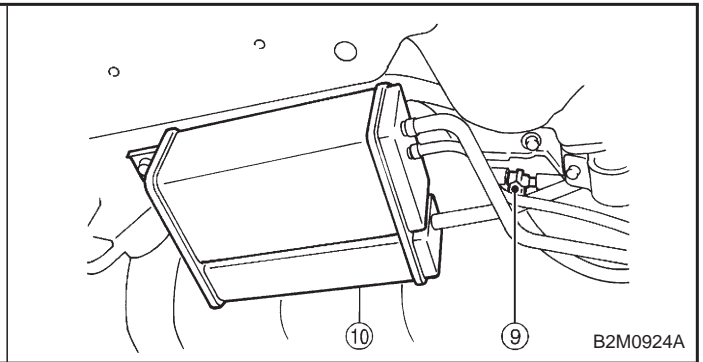
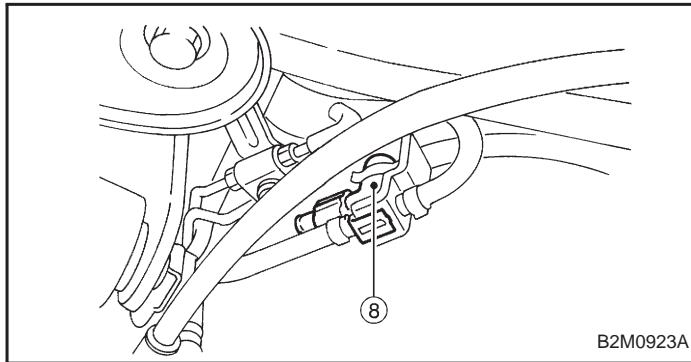
B6M0160A

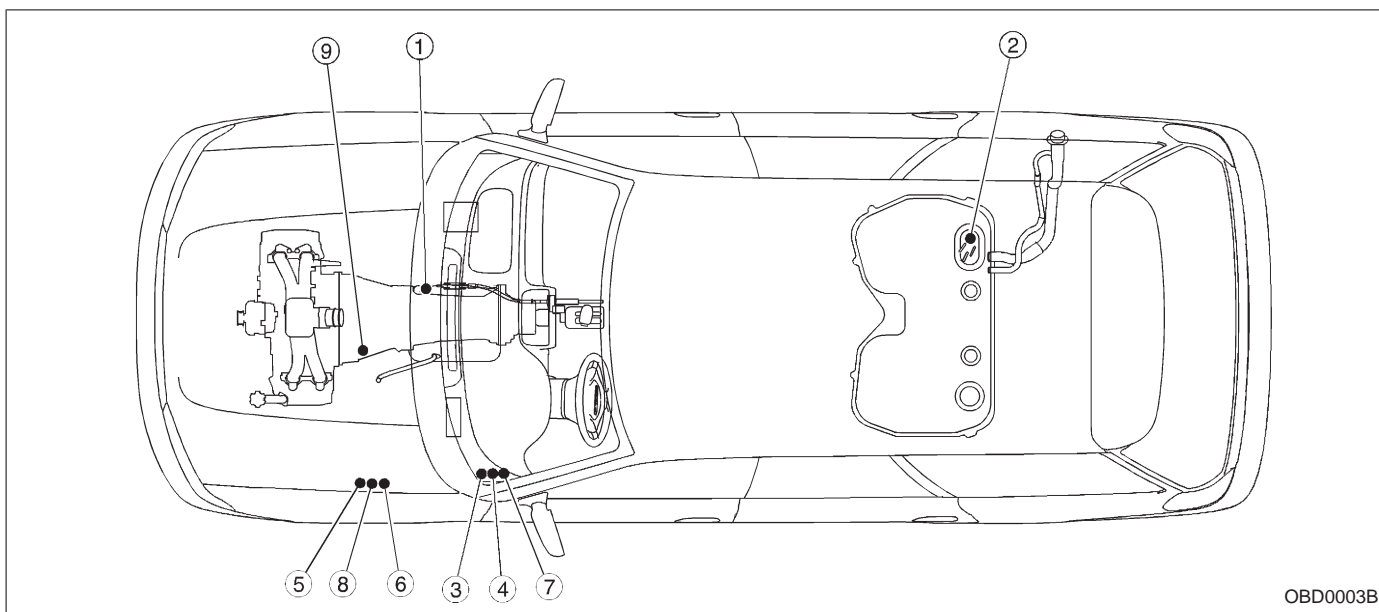




- ⑧ Pressure control solenoid valve (2200 cc AWD except Taiwan model)
- ⑨ Vent control solenoid valve (2200 cc except AWD Taiwan model)

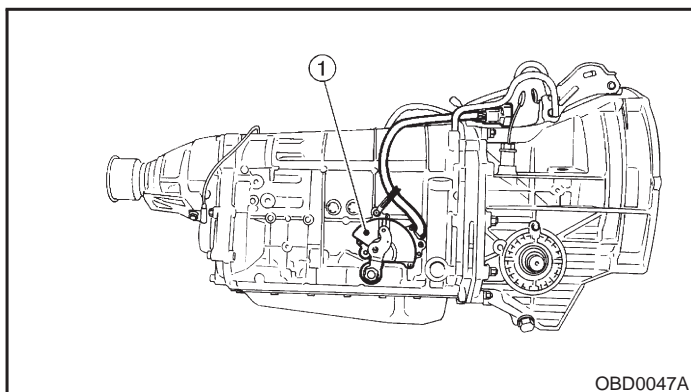
- ⑩ Canister (2200 cc AWD except Taiwan model)



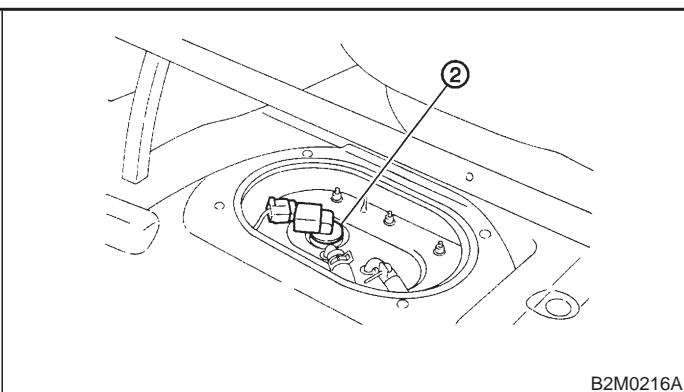


OBD0003B

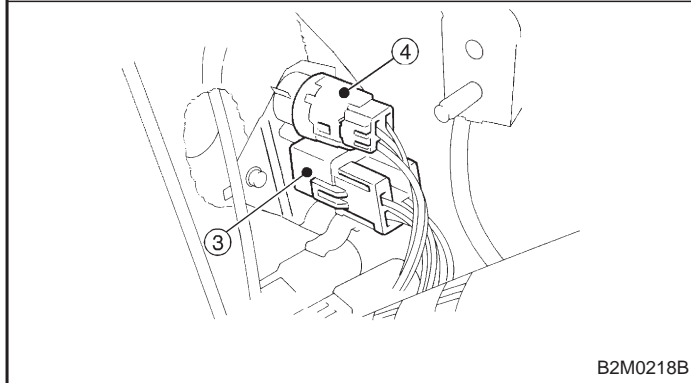
- | | |
|---|--|
| <ul style="list-style-type: none"> ① Inhibitor switch (AT vehicles only) ② Fuel pump ③ Main relay ④ Fuel pump relay ⑤ Radiator main fan relay 1 (With A/C models only) | <ul style="list-style-type: none"> ⑥ Radiator main fan relay 2 (With A/C models only) ⑦ Radiator sub fan relay 1 (With A/C models)
Main fan relay (Without A/C models) ⑧ Radiator sub fan relay 2 (With A/C models only) ⑨ Starter |
|---|--|



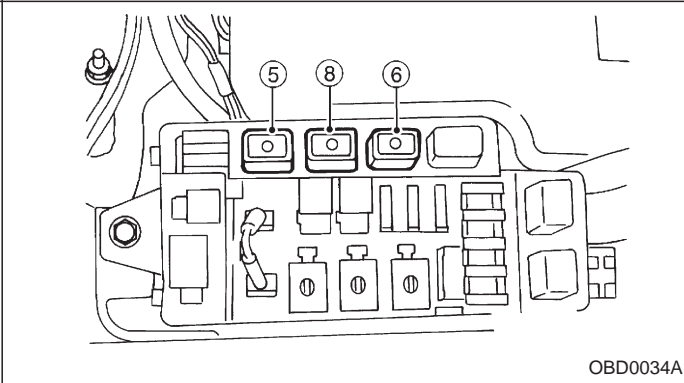
OBD0047A



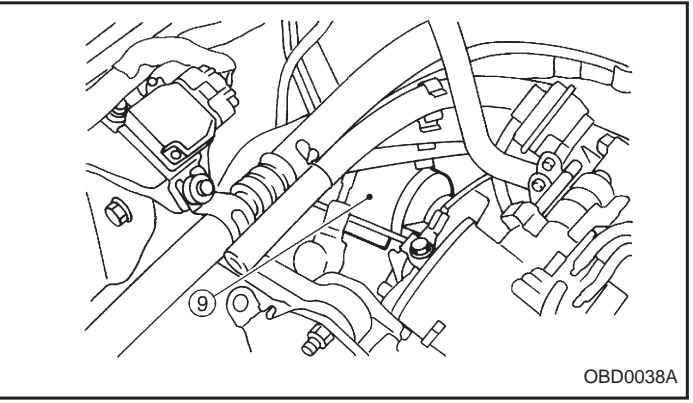
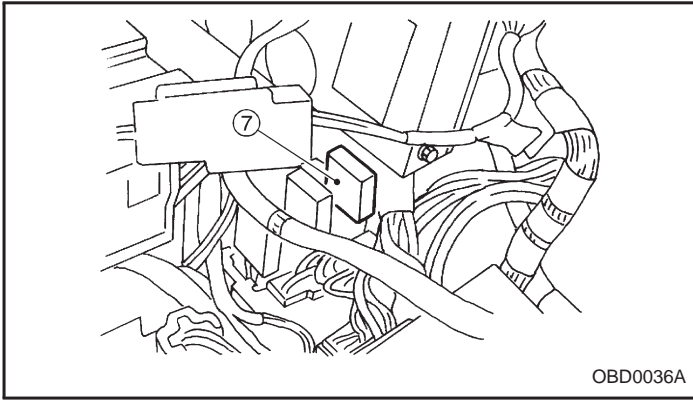
B2M0216A



B2M0218B

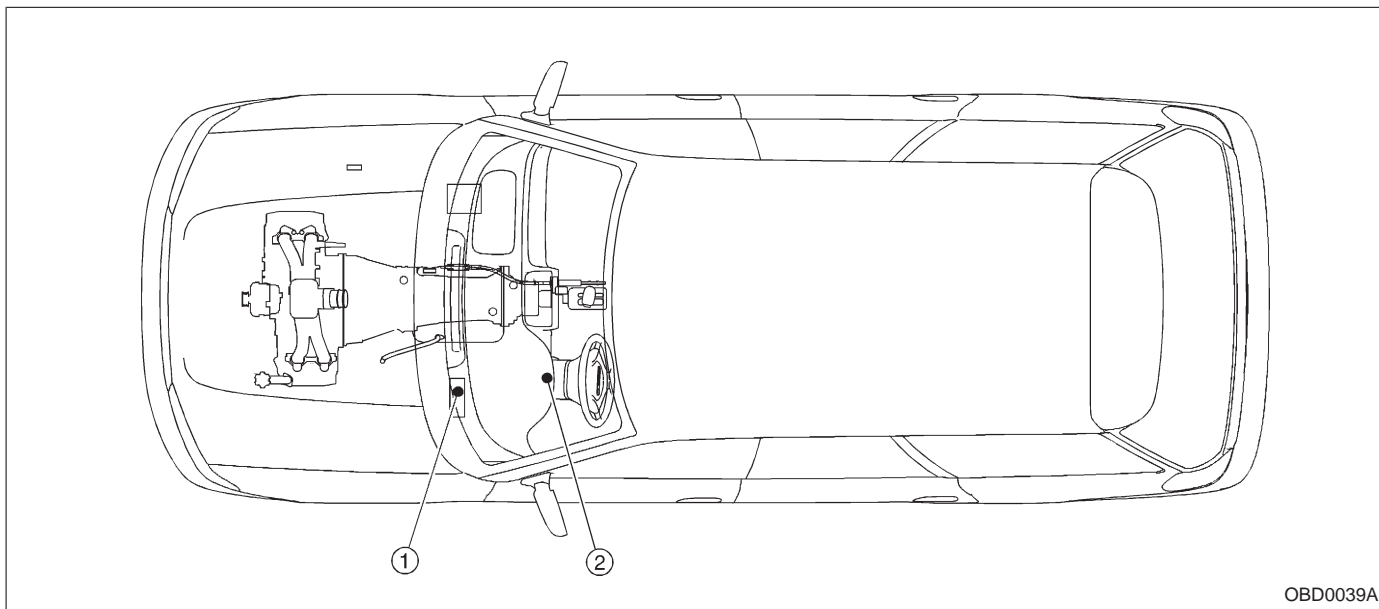


OBD0034A



B: TRANSMISSION

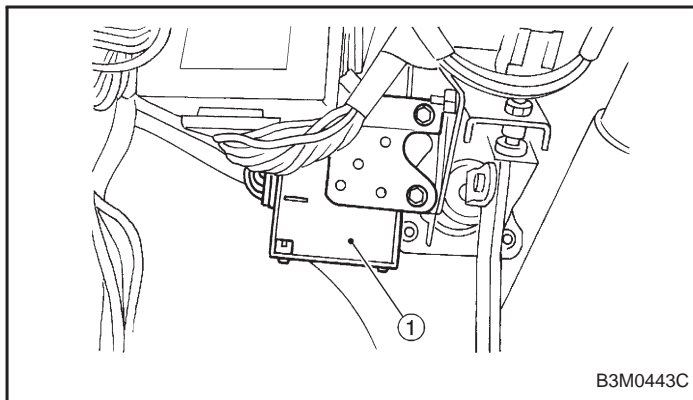
1. MODULE



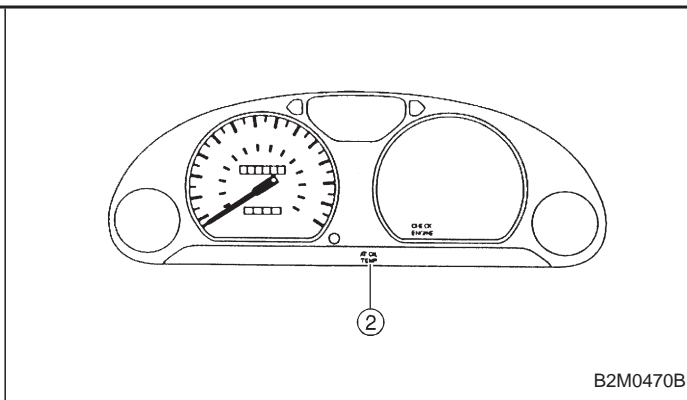
OBD0039A

① Transmission Control Module (TCM) (for AT vehicles)

② AT diagnostic indicator light (for AT vehicles)

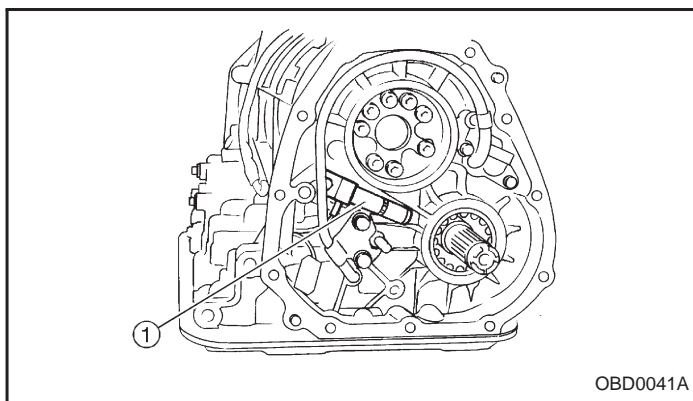


B3M0443C

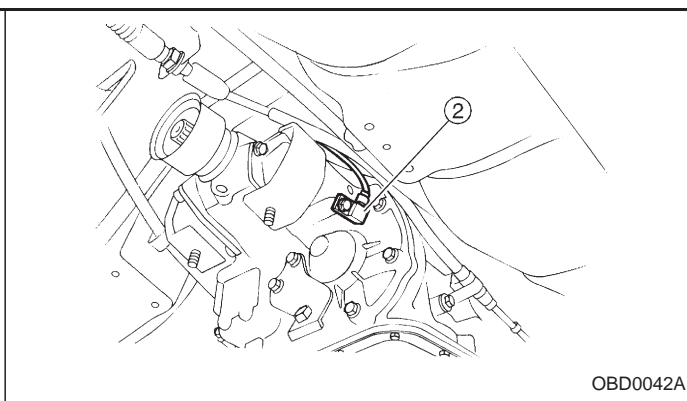


B2M0470B

2. SENSOR



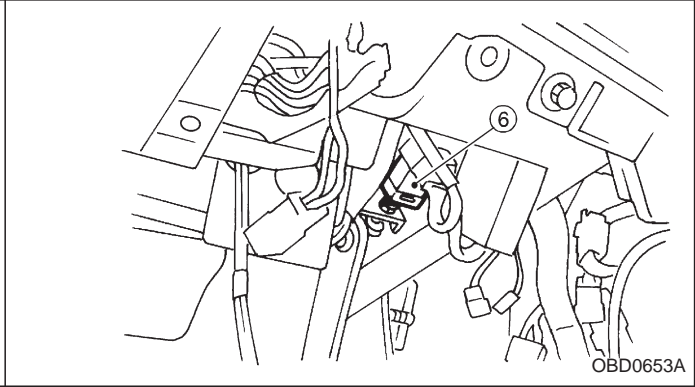
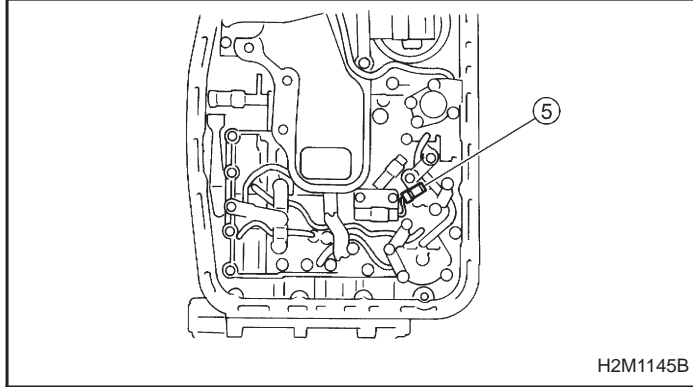
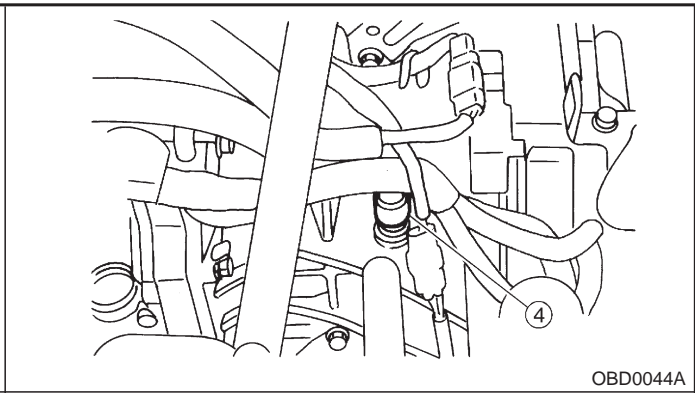
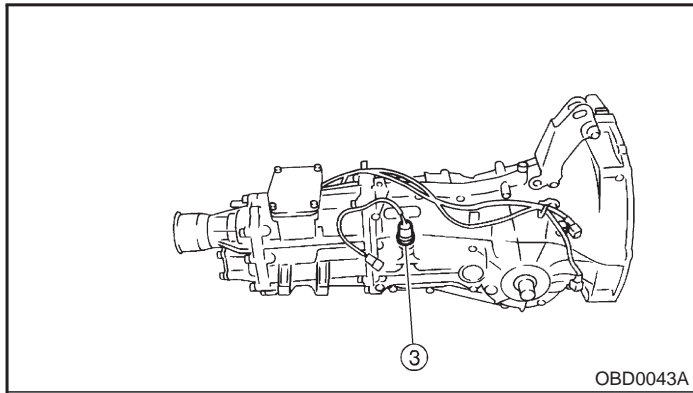
OBD0041A



OBD0042A

① Vehicle speed sensor 1 (for AT FWD vehicles)

② Vehicle speed sensor 1 (for AT AWD vehicles)

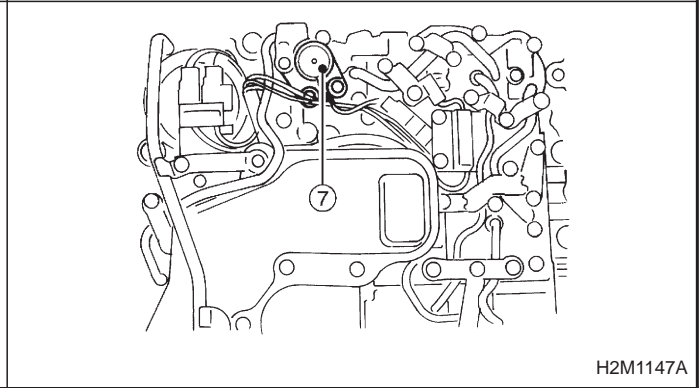
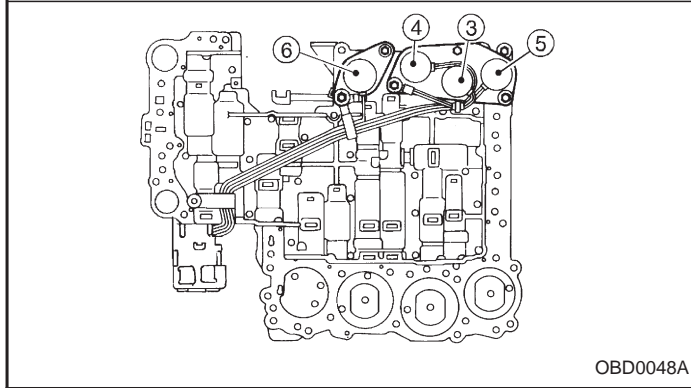
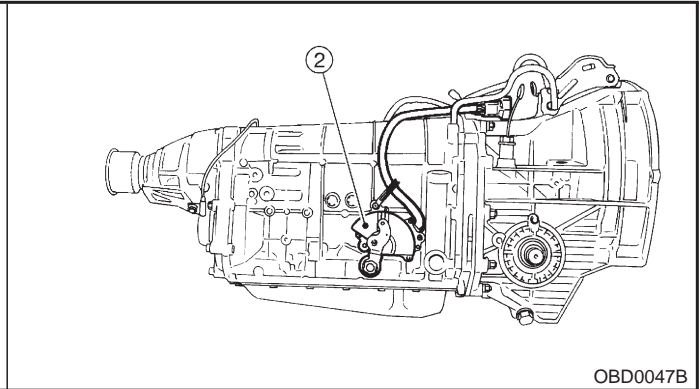
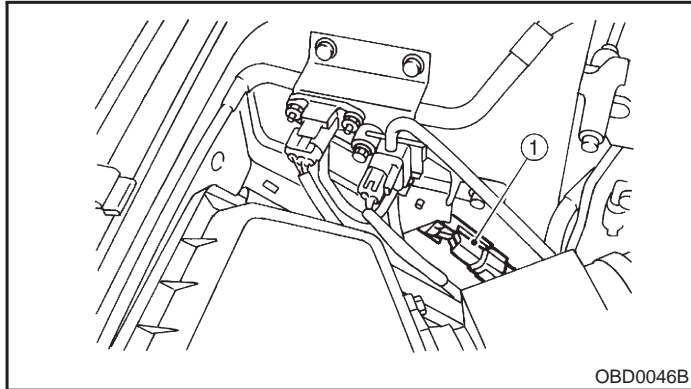


- ③ Vehicle speed sensor 2 (for MT vehicles)
- ④ Vehicle speed sensor 2 (for AT vehicles)

- ⑤ ATF temperature sensor (for AT vehicles)
- ⑥ Brake light switch

3. SOLENOID VALVE AND RELAY

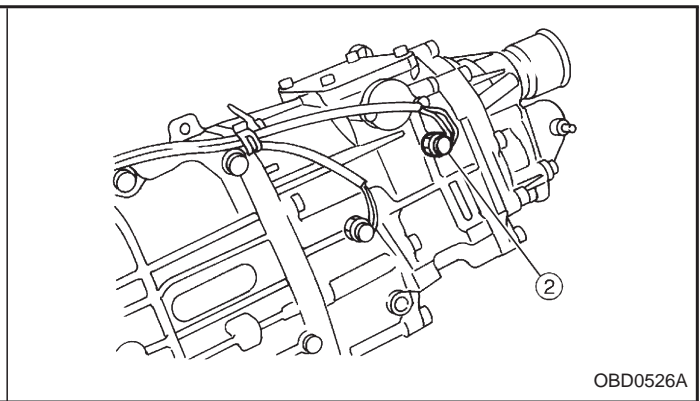
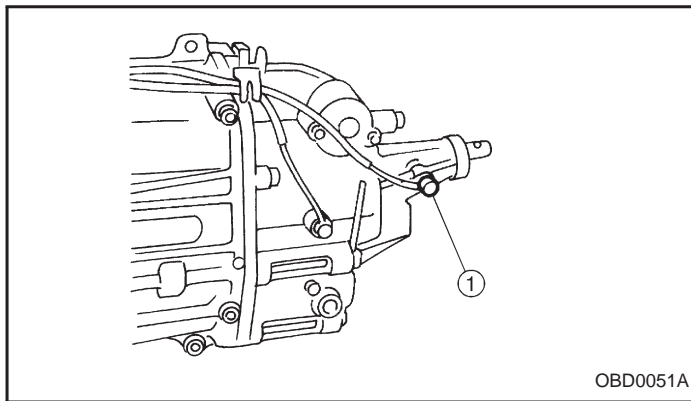
● For AT vehicles



- ① Dropping resistor
- ② Inhibitor switch
- ③ Shift solenoid valve 1
- ④ Shift solenoid valve 2

- ⑤ Shift solenoid valve 3
- ⑥ Duty solenoid valve A
- ⑦ Duty solenoid valve B

● For MT vehicles



- ① Neutral position switch (FWD models)

- ② Neutral position switch (AWD models)